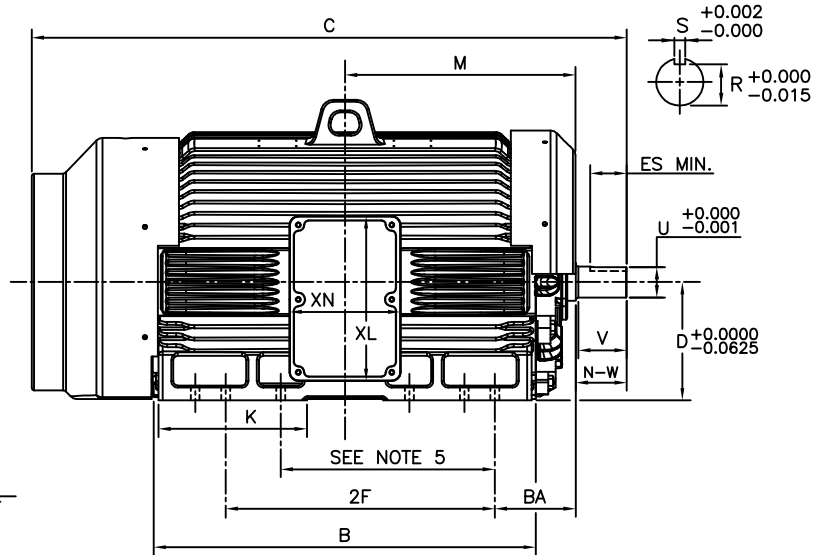
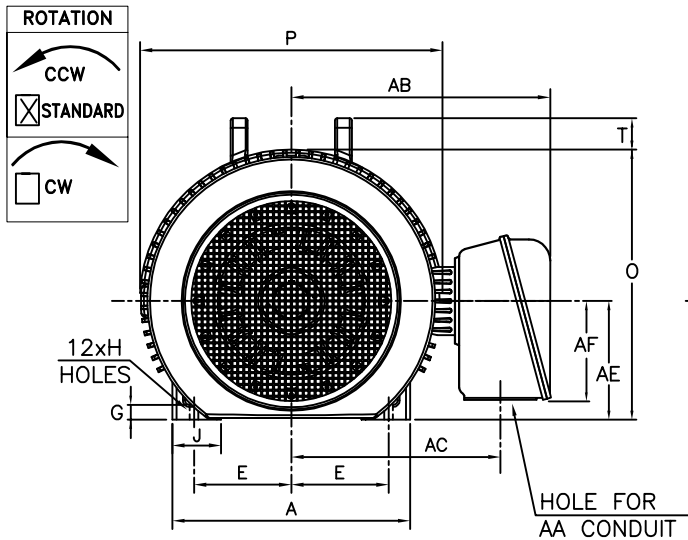


TOSHIBA/HOUSTON

TOTALLY-ENCLOSED FAN-COOLED  
HORIZONTAL FOOT-MOUNTED

Fr. N447TS-N449TS  
DIRECT COUPLE  
2 POLE



UNITS: INCHES

| FRAME SIZE | MOUNTING |       |      |      | CONDUIT BOX |      |      |      |     |      |      |
|------------|----------|-------|------|------|-------------|------|------|------|-----|------|------|
|            | E        | 2F    | H    | BA   | AA[NPT]     | AB   | AC   | AE   | AF  | XL   | XN   |
| N447TS     | 9.00     | 20.00 | 0.81 | 7.50 | 4.00        | 24.0 | 19.4 | 11.0 | 9.2 | 15.3 | 10.3 |
| N449TS     | 9.00     | 25.00 | 0.81 | 7.50 | 4.00        | 24.0 | 19.4 | 11.0 | 9.2 | 15.3 | 10.3 |

| FRAME SIZE | MOTOR DIMENSIONS |      |      |       |     |     |      |      |      |      |     |
|------------|------------------|------|------|-------|-----|-----|------|------|------|------|-----|
|            | A                | B    | C    | D     | G   | J   | K    | M    | O    | P    | T   |
| N447TS     | 22.0             | 34.7 | 55.1 | 11.00 | 1.1 | 4.5 | 13.8 | 21.3 | 25.1 | 28.1 | 2.9 |
| N449TS     | 22.0             | 34.7 | 55.1 | 11.00 | 1.1 | 4.5 | 13.8 | 21.3 | 25.1 | 28.1 | 2.9 |

| FRAME SIZE | SHAFT EXTENSION |      |       | KEY SEAT |       |      | BEARINGS |        | MAXIMUM WEIGHT |
|------------|-----------------|------|-------|----------|-------|------|----------|--------|----------------|
|            | N-W             | V    | U     | R        | S     | ES   | LS       | OS     |                |
| N447TS     | 4.75            | 4.50 | 2.375 | 2.021    | 0.625 | 3.00 | 6313C3   | 6313C3 | 3800 lbs.      |
| N449TS     | 4.75            | 4.50 | 2.375 | 2.021    | 0.625 | 3.00 | 6313C3   | 6313C3 | 3800 lbs.      |

NOTES:

- DIMENSION V REPRESENTS LENGTH OF STRAIGHT PART OF SHAFT.
- CONDUIT BOX MAY BE ROTATED IN 90° INCREMENTS
- KEY DIMENSIONS EQUAL S x S x 3.00 (MOTOR SUPPLIED WITH KEY)
- MOTOR WEIGHT SHOWN IS MAXIMUM HORSEPOWER IN FRAME.
- DIMENSION FOR 447 MOUNTING EQUAL (2F) LOCATED IN 447 SIDE VIEW.
- STANDARD UNITS USE UNI-DIRECTIONAL FAN. OPPOSITE ROTATION AVAILABLE ONLY BY FAN AND CONNECTION CHANGE.

ALL DATA SUBJECT TO CHANGE WITHOUT NOTICE.  
FOR CONSTRUCTION USE ONLY CERTIFIED DATA.

CERTIFIED DATA

CUSTOMER: \_\_\_\_\_ P.O. NO.: \_\_\_\_\_ TAG NO.: \_\_\_\_\_

MOTOR MODEL NO.: \_\_\_\_\_ TOSHIBA FILE NO.: \_\_\_\_\_

HP: \_\_\_\_\_ RPM (SYN.): \_\_\_\_\_ VOLTAGE: \_\_\_\_\_ Hz: \_\_\_\_\_

FRAME SIZE: \_\_\_\_\_ LOG NO.: \_\_\_\_\_ LOG REV. LEVEL: \_\_\_\_\_

REMARKS: \_\_\_\_\_

PER: \_\_\_\_\_ ISSUE DATE: \_\_\_\_\_ SUPERSEDES: \_\_\_\_\_