

No reproduction of this drawing is allowed without written permission of WEG Motores

EIXO	
PADRÃO	
OPCIONAL	
ESPECIAL	X

Dimensões em polegada
Dimensions in inch

CERTIFIED WEG MOTORES

Certified document.
Not subject to changes.

THIS IS AN UPDATED REVISION, THE PREVIOUS ONE MUST BE DISREGARDED.

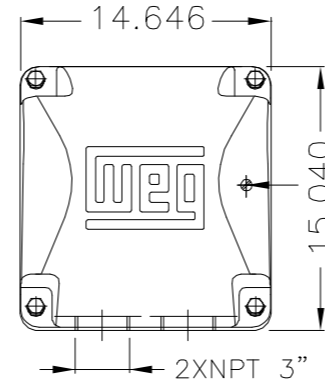
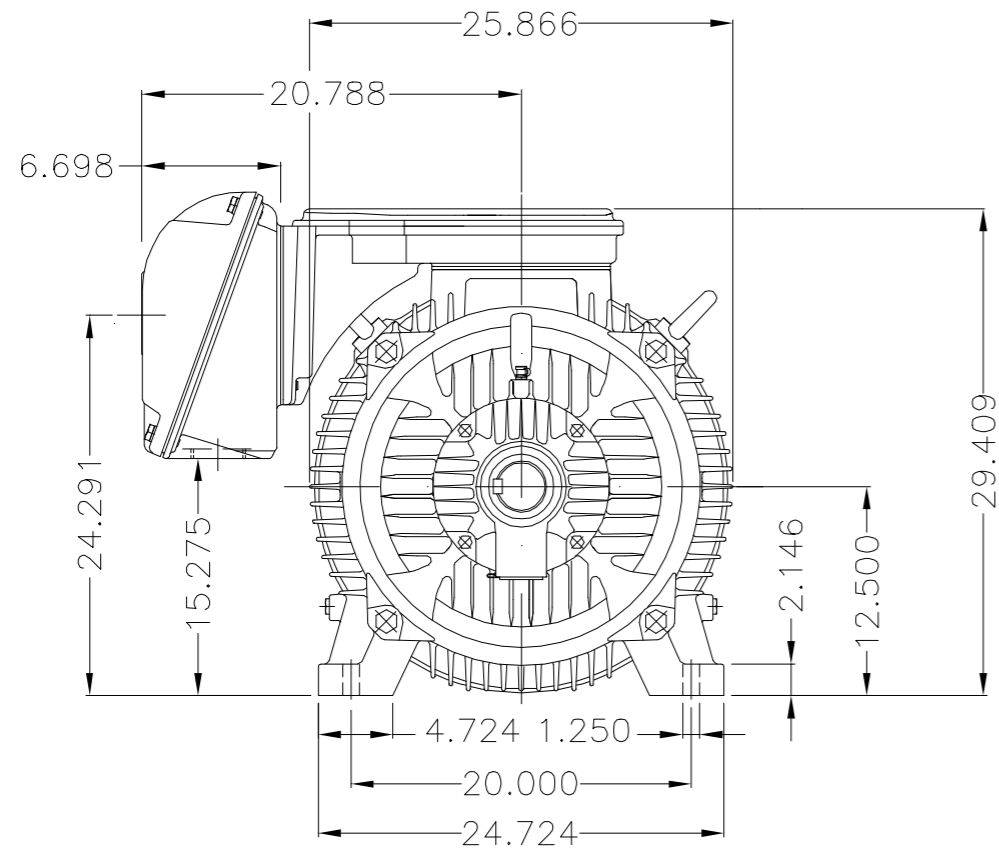
A

B

C

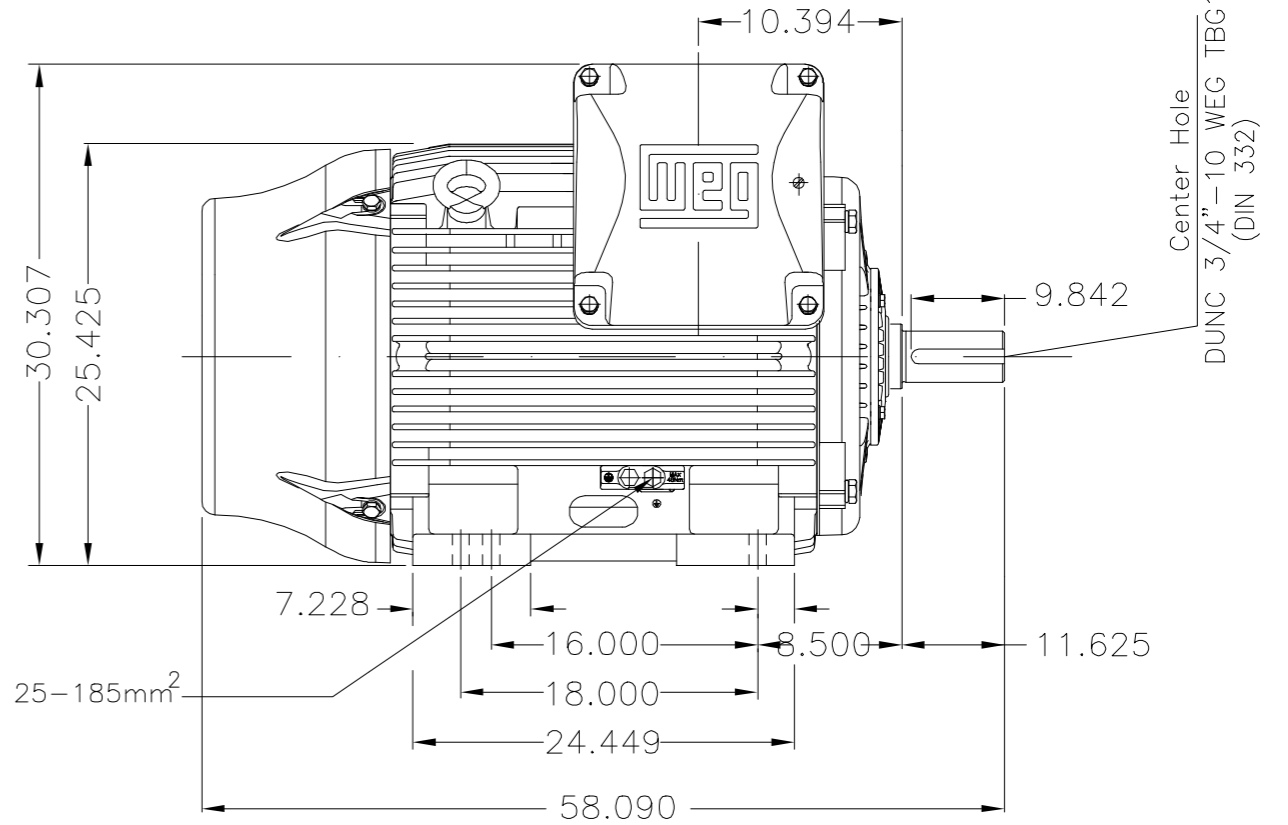
D

E



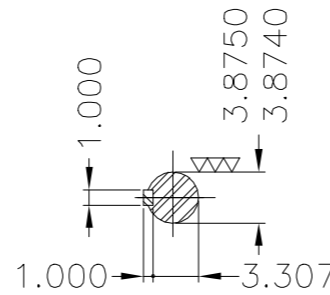
Main terminal box

Grounding for leads 35-70mm²



Grounding for leads 25-185mm²

Center Hole
DUNC 3/4"-10 WEG TBG12
(DIN 332)



DE Shaft End

Rolamento dianteiro de rolos NU-322 / NU-322 DE roller bearing						
Categoria A / Design A						
Rolamento dianteiro de rolos / DE roller bearing						
Dispositivo de travamento de eixo / Shaft locking device						
Plano de pintura 203A / Painting plan 203A						
Forma construtiva B3D / Mounting B3R(D)						
WEG CORP.LOGISTICS - MILWAUKIE						

500000846377		ATUALIZADO ATERRAMENTO	RICARDOAN	RICARDOAN	10.04.2014	01
500000360906		DOCUMENTO NOVO	SCARMAGNANI	ADRIANAP	13.09.2010	00
ECM ECM	LOC LOC	RESUMO MODIFICAÇÃO SUMMARY OF MODIFICATIONS	EXECUTADO EXECUTED	VERIFICADO CHECKED	LIBERADO RELEASED	DATA DATE
EXEC. /EXECUTED	SCARMAGNANI	THREE PHASE W22 MOTOR - NEMA PREMIUM EFF	10000964926			
VERIF. /CHECKED		FRAME 504/ST IP55	000 01			
LIBER. /RELEASED	ADRIANAP					
DATA LB /REL DT	13.09.2010	WMO-JGS JARAGUÁ DO SUL				
200 HP 06 Poles 60Hz 405281761/02 ELET			ENG. MOTORES INDUSTRIAIS		FOLHA/SHEET 1 / 1	