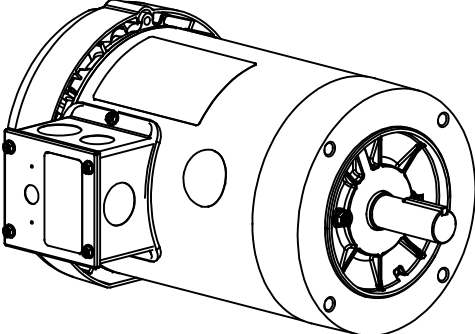


DECAL - CONNECTION UNDER COVER WHEN REQUIRED

DASH NO.	"C"	"AD"
550	11.42	5.56
600	11.92	6.06
650	12.42	6.56
675	12.67	6.81
700	12.92	7.06
750	13.42	7.56
800	13.92	8.06

NOTE:
1) GASKETS THROUGHOUT



REVISION			BY & DATE	CHK	ANG	±1/2°	FINISH	GENERAL PURPOSE	PAGE	OF
05	ADDED FAN GUARD DIMENSIONS PER SALES	PG	1/5/2011	DEC						
04	ADDED DASH NO. 675	PG	5/21/2010	X						
03	ADDED ENERGY SAVINGS DECAL	PG	5/19/2010	.XX						
02	ADD "C" DIM. PER ISAAC 09-4157	LST	10/1/2009	.XXX						
01	REVISED GD&T POSITIONING & CALLOUT	KMM	8/27/07	.XXX						

TOLERANCES UNLESS SPECIFIED		ELECTRIC MOTORS GERMOTORS AND DRIVES	DRAWN	KMM 08/02/07
INCHES	±.1		CHK	
TITLE		OUTLINE - 140TC FRAME	SCALE	7:16
TEFC - "C" FACE			REF	028504.00
MATERIAL			FMF	120038.00
FINISH		GENERAL PURPOSE	PAGE	OF
RFP		PREV	SIZE	DRAWING NO
NETWORK FILE NAME		028777	B	028777
				REV
				05