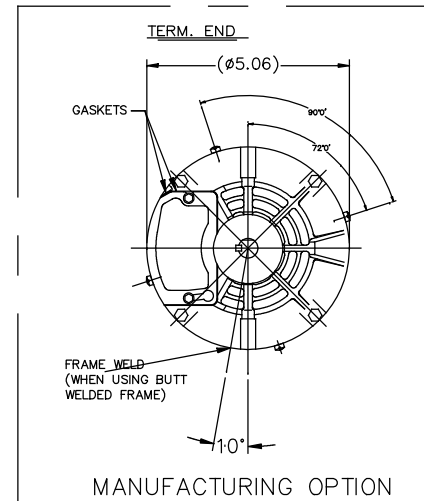
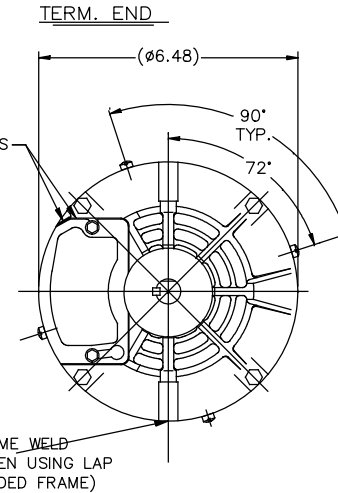
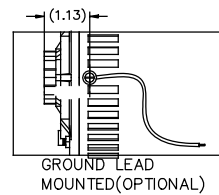
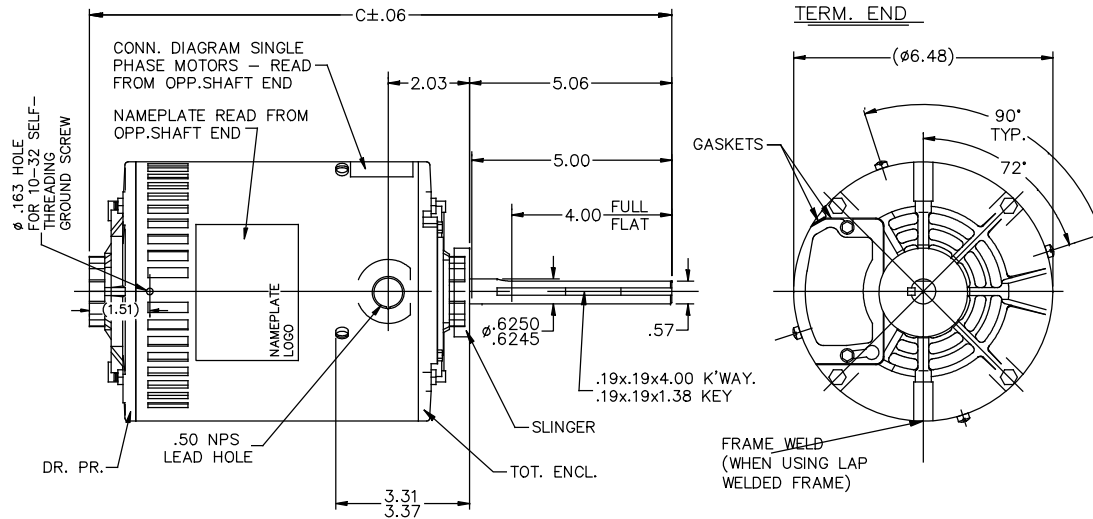


100327



DASH	FRAME	C	DASH	FRAME	C
656	56-65	14.06	856	56-85	16.06
706	"-70	14.56	906	"-90	16.56
756	"-75	15.06	956	"-95	17.06
806	"-80	15.56			

7	ADDED BUTT WELD VIEW	MDP 04-17-2017		TOLERANCES UNLESS SPECIFIED		REGAL ™ Regal Beloit America, Inc.	DRAWN GK 03-24-1989	
6	MOVED FR. WELD TO 6:00	MDP 04-06-2017		DEC.	INCHES		CHK MB 03-27-1989	
5	ADDED OPTIONAL VIEW FOR GRD LEAD	SVL 09-17-2012	ML	.X	±.1	TITLE OUTLINE	APPD FG 03-27-1989	
4	REDRAWN IN AUTOCAD	TAT 08-03-2004		.XX	±.03		SCALE 3=8	
3	CLARIFIED FRAME PLUG LOCATION CN 24300-165	MH 08-27-1997		.XXX	±.005	MAT'L.	REF	
2	CHANGED LOC. OF SCREW ON FRAME CN 21725-737	PGK 08-12-1996		.XXXX	±.0005		FINISH	FMF
NO.	REVISION	BY & DATE	CHK	ANG	±7'30"	PREV		
THIS DRAWING IN DESIGN AND DETAIL IS OUR PROPERTY AND MUST NOT BE USED EXCEPT IN CONNECTION WITH OUR WORK ALL RIGHTS OF DESIGN AND INVENTION ARE RESERVED THIS IS AN ELECTRONICALLY GENERATED DOCUMENT - DO NOT SCALE THIS PRINT			RFP	CAD FILE 100327		SIZE A	DRAWING NO. 100327	PAGE OF 7
			DIST	WP				REV. 7