

Product Information Packet

March 1, 2017

Data shown is for the current revision model #. Ensure your nameplate model # matches.

Model Number:	5KS256SAA208D4
Catalog Number:	M9914
Instruction Manual:	GEI-56128
Connection Diagram:	GEM2034E-FIG1
Outline Drawing:	4002B5825PAP5201

Accessory Connection Diagrams			
Bearing Thermocouple:	None	Heater:	None
RTD:	None	Thermistor:	None
Thermostat:	None	Winding Thermocouple:	None
Bearing RTD:	None		

Table of Contents

Specification	01
Performance Characteristics	02
Outline Drawing	03
Connection Drawing(s)	04
Spare parts	05



Marks:

MODEL NUMBER:	5KS256SAA208D4	Estimated Weight:	350 Lbs
Outline Drawing:	4002B5825PAP5201	Time Rating:	CONT
Connection Diagram:	GEM2034E-FIG1	Enclosure:	TEFC
Instruction Book:	GEI-56128	Encl Construction:	X\$D
Design Code:	25BD1163A	Ambient Max(°C):	40
Type:	KS	Alt Ambient Max(°C):	60
Frame:	256T	Insulation Class:	H
Phases:	3	NEMA Design:	B
Poles:	4	Nominal Efficiency:	93 %
Output Power:	20HP 14.8KW	Guaranteed Efficiency:	92.4
RPM:	1775	3/4 Load Efficiency:	93.7
Voltage:	460	KVA Code:	G
Hertz:	60	Max KVAR:	6.2
Amps - FL:	23.8	Power Factor:	84.5
Service Factor:	1.25	Bearing - DE:	6309ZC3
Alt Service Factor:	1.00	Bearing - ODE:	6309ZC3

Enclosure is Totally Enclosed Fan-Cooled

Stamped Nameplate Notes:

SF AMPS 29.5
 STAMP NP249A5564P051 AS BELOW:
 MODEL:5KS256SAA208D4 S/N: XXX
 CSA CERTIFIED CSA09.2216219 FOR EX NA IIC 200C GC
 CL 1 ZONE2 AEX NA IIC 200C;CL 1 DIV2 GRP ABCD 200C
 IN -40C <= AMB <= 40C, 1.0 SF ON SINE-WAVE PWR
 SURF TEMP 215C AT 1.25SF ON SINE-WAVE PWR
 OR 200C VT OR 215C CT OR 200C CHP PWM CONTROL
 ALTERNATE RATING FOR PWM CONTROL 1.0SF 40C AMB
 VT 0-60 HZ, CT 6-60 HZ, CHP 60-90 HZ.

Additional Information:

4P - T EXTN
 STANDARD FLOOR MOUNT
 C/BOX 137 CU IN-1.25 NPT
 F1 CONDUIT BOX MOUNTING
 OIL RESISTANT SLEEVING ON LEADS
 FCXSD-ULTRA STOCK 02/28/2017
 ENGINEERED BY: BALASUBRAMANIAN, H

Performance Characteristics

1st Winding 1st Connection

Design: 25BD1163A

Marks:

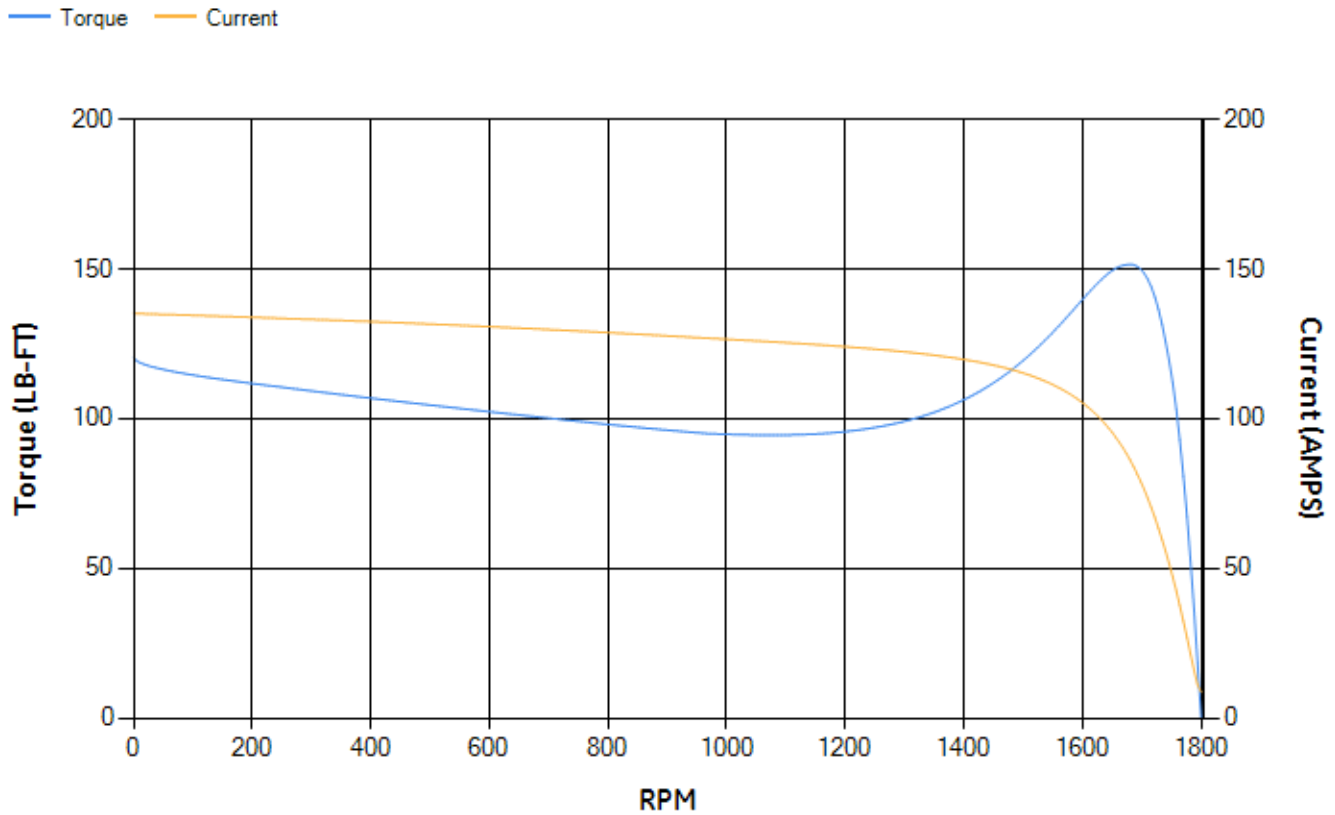
LOAD %	125.0	115.0	100.0	75.0	50.0	25.0	0.0
% EFF	92.13	92.56	93.31	93.72	93.6	91.02	0.00
% PF	86.1	85.75	84.73	80.95	71.89	49.85	4.4
AMPS	29.5	27.12	23.68	18.5	13.91	10.31	8.62

TORQ(FL)#FT	59.21	TORQ(LR)%FL	203.53	TORQ(BD)%FL	254.91
AMPS(LR)	135.12	PF AT START	0.45		

This motor is capable of two cold or one hot start with a maximum connected load inertia of 653 Lb-Ft Sq (27.49 Kg-meter Sq)at 100% voltage, where the load torque varies with the square of the speed. Acceleration time with maximum inertia and the above load type is 43 seconds. Safe stall time at 100% voltage is 98 seconds cold, 62 seconds hot. Rotor inertia is 3.04 Lb-Ft Sq (0.13 Kg-meter Sq).

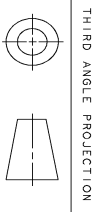
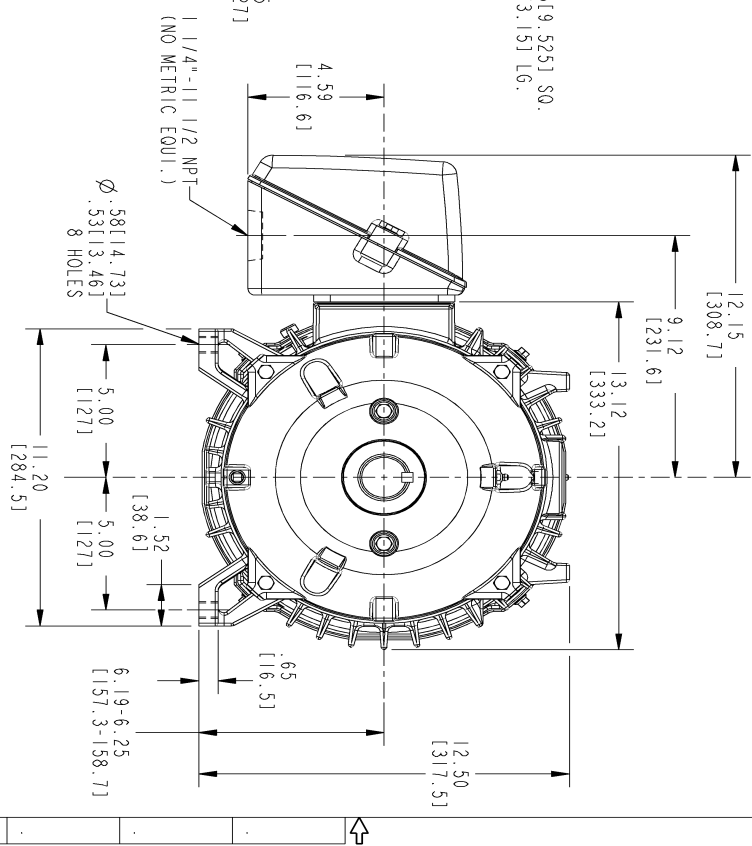
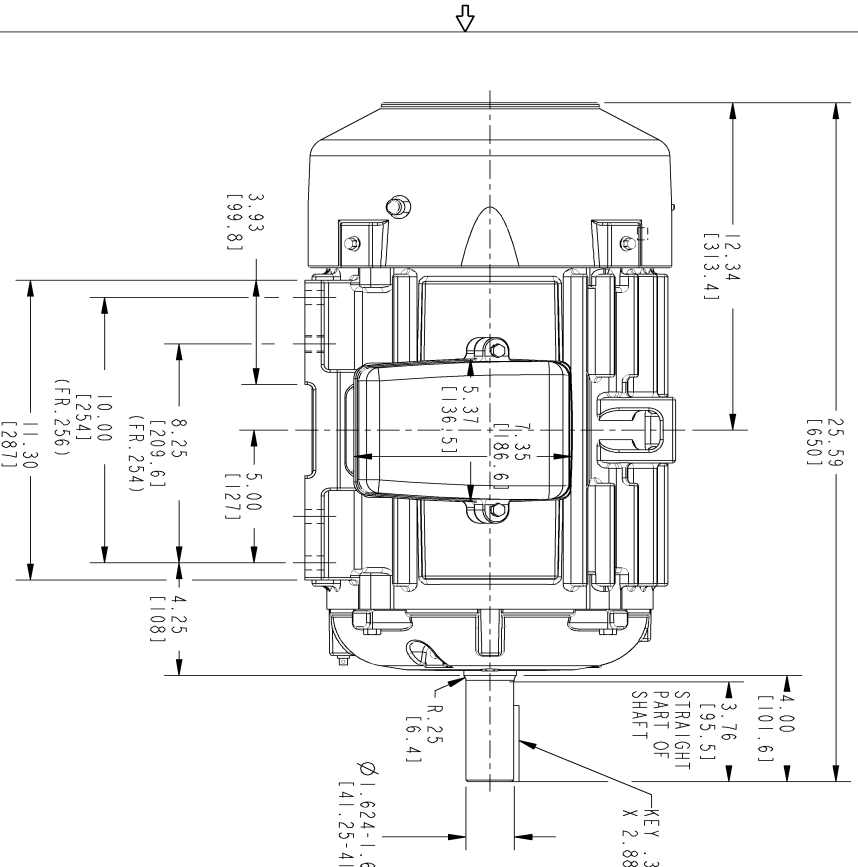
Open Circuit A-C:	0.483	Short Circuit D-C:	0.014
Short Circuit A-C:	0.024	X/R Ratio:	5.127
Stator Slots:	48	Rotor Slots:	40

Speed Torque Current Curve (First Connection, First Speed)



Marks:

NOTE 1: CONDUIT BOX MAY BE ASSEMBLED WITH ENTRANCE UP, DOWN OR TO EITHER SIDE.
 NOTE 2: F1 ASSEMBLY AS SHOWN. F2 ASSEMBLY CONDUIT BOX ON OPPOSITE SIDE FROM SHOWN LOCATION.
 NOTE 3: SHAFT RUNOUT WILL NOT EXCEED .002 T.I.R.



SIZE: B DRAWING NO: 4002B5825PAP5201 SH: 4 REV: 4

REV.	DESCRIPTION	DATE	APPROVED
1	NOTE X50 ULTRA DELETED	05/20/03	SAJNAY
2	ISAAC 09-0868	09/29/09	SAVANTHI
3	ISAAC 09-1036	12/02/09	RAJHU
4	ISSAC 12-0025	01/09/11	RAJHU

SIGNATURES	DATE
DRAWN: GARY WARRNER	JAN 16/02
CHECKED: GARY WARRNER	JAN 16/02
ENGR: GARY WARRNER	EPN 03/02

APPLIED PRACTICES: B

SCALE: 0.250 REF. NO: 4002B5825PAP201 SHEET 0F 1

GE Industrial Systems
INDUCTION MOTOR OUTLINE
 STANDARD CONSTRUCTION
 FMR: FR250T TFFC

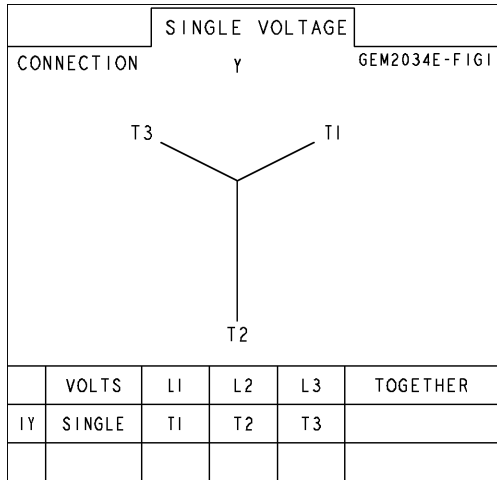
GENERAL ELECTRIC COMPANY
 Fort Wayne, Indiana

4002B5825PAP5201 4

DISTRIBUTION: PMP-18K15

Marks:

Connection Diagram
GEM2034E-FIG1



End shield Assembly		
Part Description	DE Side Part#	ODE Side Part#
End Shield	4004D5283PB1	4004D5283SE1
Bearing	235A2607AA01	235A2607AA01
Slinger/Inproseal	149C4399G02	149C4399G02

Fan & Fan Cover Assembly	
Part Description	Part#
Fan	159C6700G02
Fan Cover	4003C5788PA1

Conduit & Accessories Box Assembly	
Part Description	Part#
Conduit Box	4002B5728PA-G04

Mechanical Accessories	
Part Description	Part#
Brake	
Tachometer	