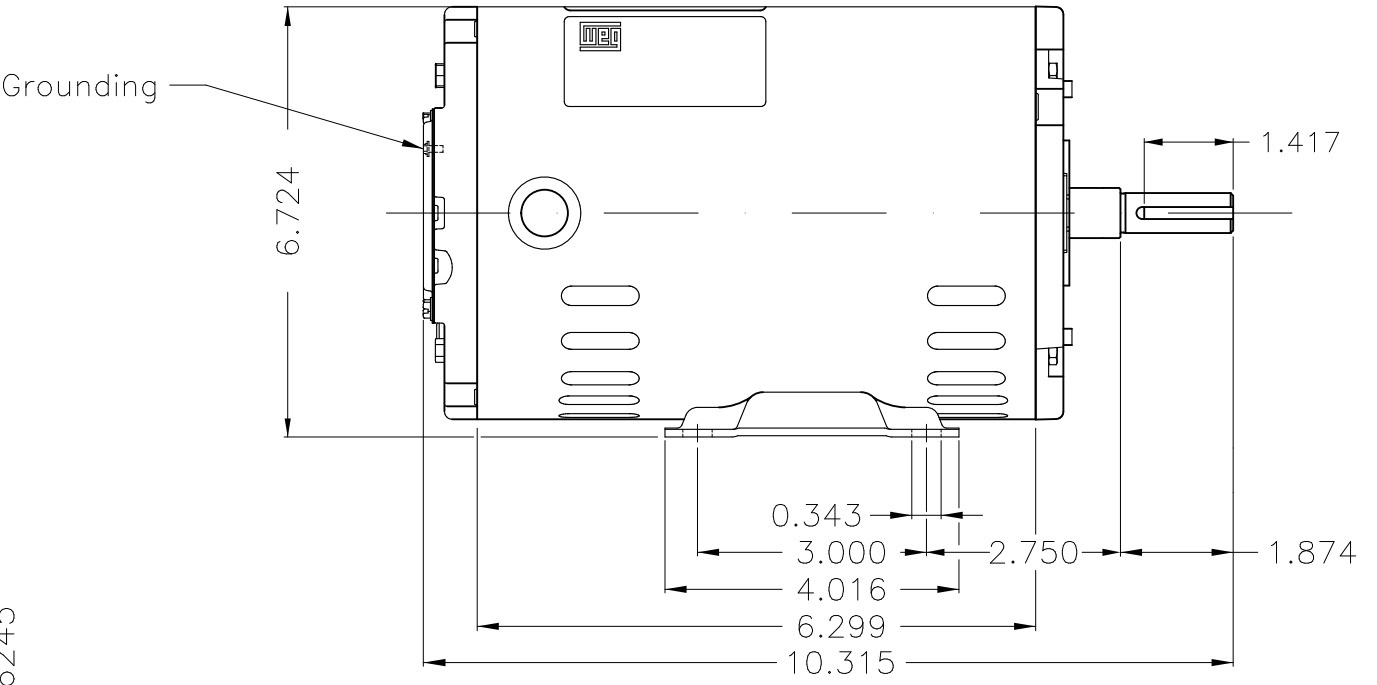
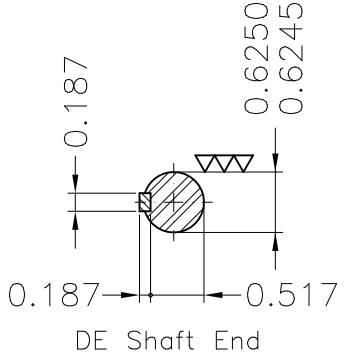
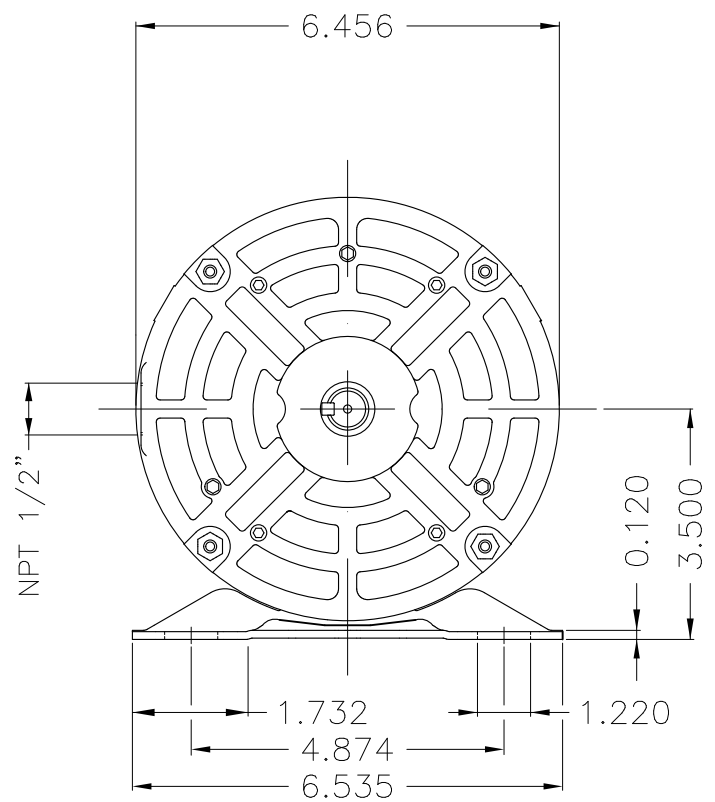


Dimensões em polegada  
Dimensions in inches

THIS IS AN UPDATED REVISION, THE  
PREVIOUS ONE MUST BE DISREGARDED.



|                     |            |                                         |                |                     |          |         |          |      |     |
|---------------------|------------|-----------------------------------------|----------------|---------------------|----------|---------|----------|------|-----|
| Without coating     |            |                                         |                |                     |          |         |          |      |     |
| Mounting F-1/B3R(D) |            |                                         |                |                     |          |         |          |      |     |
|                     |            |                                         |                |                     |          |         |          |      |     |
|                     |            |                                         |                |                     |          |         |          |      |     |
| ECM                 | LOC        | SUMMARY OF MODIFICATIONS                |                |                     | EXECUTED | CHECKED | RELEASED | DATE | VER |
| EXECUTED            | USERADMIN  | THREE PHASE ODP ROLLED STEEL PREM. EFF. |                |                     |          |         |          |      |     |
| CHECKED             |            | FRAME 56 ODP                            |                |                     |          |         |          |      |     |
| RELEASED            |            | WEG code: 12808930                      |                |                     |          |         |          |      |     |
| REL DT              | 24.07.2017 | WMO                                     | Jaragua do Sul | Product Engineering | SHEET    | 1 / 1   |          |      |     |

0.25 HP    06 Poles    60Hz

A

