

Product Information Packet

November 9, 2016

Data shown is for the current revision model #. Ensure your nameplate model # matches.

Model Number:	5KS215STE305A
Catalog Number:	M7544
Instruction Manual:	GEI-M1031
Connection Diagram:	GEM2034E-FIG210
Outline Drawing:	358B6271AB

Accessory Connection Diagrams			
Bearing Thermocouple:	None	Heater:	None
RTD:	None	Thermistor:	None
Thermostat:	None	Winding Thermocouple:	None
Bearing RTD:	None		

Table of Contents	
Specification	01
Performance Characteristics	02
Outline Drawing	03
Connection Drawing(s)	04

Marks:

MODEL NUMBER:	5KS215STE305A	Estimated Weight:	168 Lbs
Outline Drawing:	358B6271AB	Time Rating:	CONT
Connection Diagram:	GEM2034E-FIG210	Enclosure:	TEFC
Instruction Book:	GEI-M1031	Encl Construction:	SD
Design Code:	21AD3006A	Ambient Max(°C):	40
Type:	KS	Alt Ambient Max(°C):	--
Frame:	215T	Insulation Class:	F
Phases:	3	NEMA Design:	A
Poles:	6	Nominal Efficiency:	89.5 %
Output Power:	5HP 3.7KW	Guaranteed Efficiency:	87.5
RPM:	1170	3/4 Load Efficiency:	90.9
Voltage:	230/460	KVA Code:	K
Hertz:	60	Max KVAR:	2.4
Amps - FL:	13.6/6.8	Power Factor:	75
Service Factor:	1.15	Bearing - DE:	6308ZZC3
Alt Service Factor:	--	Bearing - ODE:	6208ZZC3

Enclosure is Totally Enclosed Fan-Cooled

Stamped Nameplate Notes:

6 POLE, TEFC,
 IP54;IBM3;MASS 76 KG; MIN AMB -15C; MAX ALT 1000M
 USABLE AT 200V @ 5.0 HP, 15 AMPS @ 1.0 SF
 50HZ DATA @ 1.15 SF: 3.0/2.2 HP,
 200/400V, 11.0/5.5 AMPS: 50HZ DATA @ 1.00 SF
 5./3.7 HP, 200/400V, 14.8/7.4 AMPS
 GREASE TYPE: SHELL ALVANIA R3 LITHIUM GREASE

Additional Information:

6 POLE, TEFC,
 DUAL DIMENSION OUTLINE, IP54
 NO. OF MOTOR LEADS: 9
 CONDUIT BOX VOLUME (CU IN): 66.7
 CONDUIT BOX MATERIAL: CAST IRON
 SUITABLE FOR USE IN CLASS I DIVISION 2 LOCATIONS
 CLASS I DIVISION 2 GROUPS A,B,C,D T3C
 CLASS I ZONE 2 IIC T3C

Performance Characteristics

1st Winding 1st Connection

Design: 21AD3006A

Marks:

LOAD %	125.0	115.0	100.0	75.0	50.0	25.0	0.0
% EFF	89.15	89.68	90.53	90.93	90.39	86.11	0.00
% PF	79.06	78.08	75.94	69.81	58.27	37.39	4.84
AMPS	8.3	7.69	6.81	5.53	4.44	3.63	3.22

TORQ(FL)#FT 22.44
AMPS(LR) 49.46

TORQ(LR)%FL 219.81
PF AT START 0.34

TORQ(BD)%FL 310.2

This motor is capable of two cold or one hot start with a maximum connected load inertia of 456 Lb-Ft Sq (19.2 Kg-meter Sq)at 100% voltage, where the load torque varies with the square of the speed. Acceleration time with maximum inertia and the above load type is 38 seconds. Safe stall time at 100% voltage is 110 seconds cold, 64 seconds hot. Rotor inertia is 1.33 Lb-Ft Sq (0.06 Kg-meter Sq).

Open Circuit A-C: 0.212

Short Circuit D-C: 0.011

Short Circuit A-C: 0.014

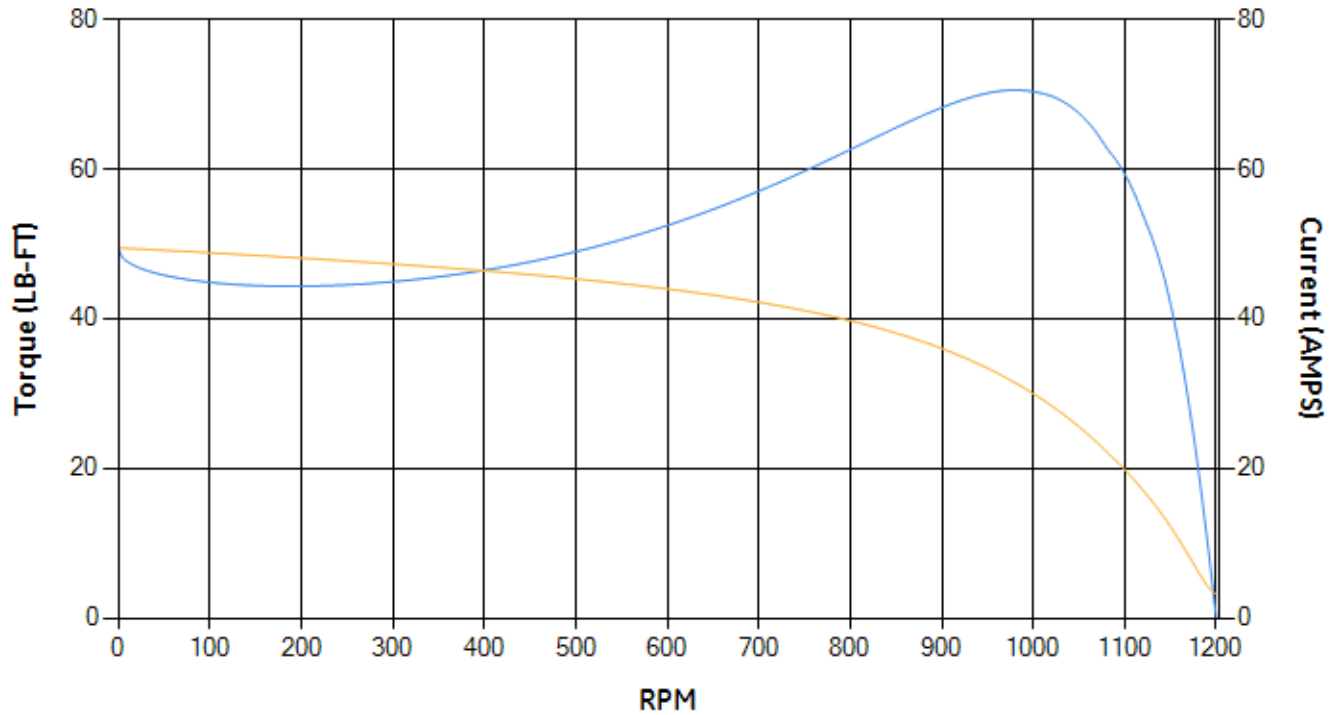
X/R Ratio: 4.224

Stator Slots: 54

Rotor Slots: 42

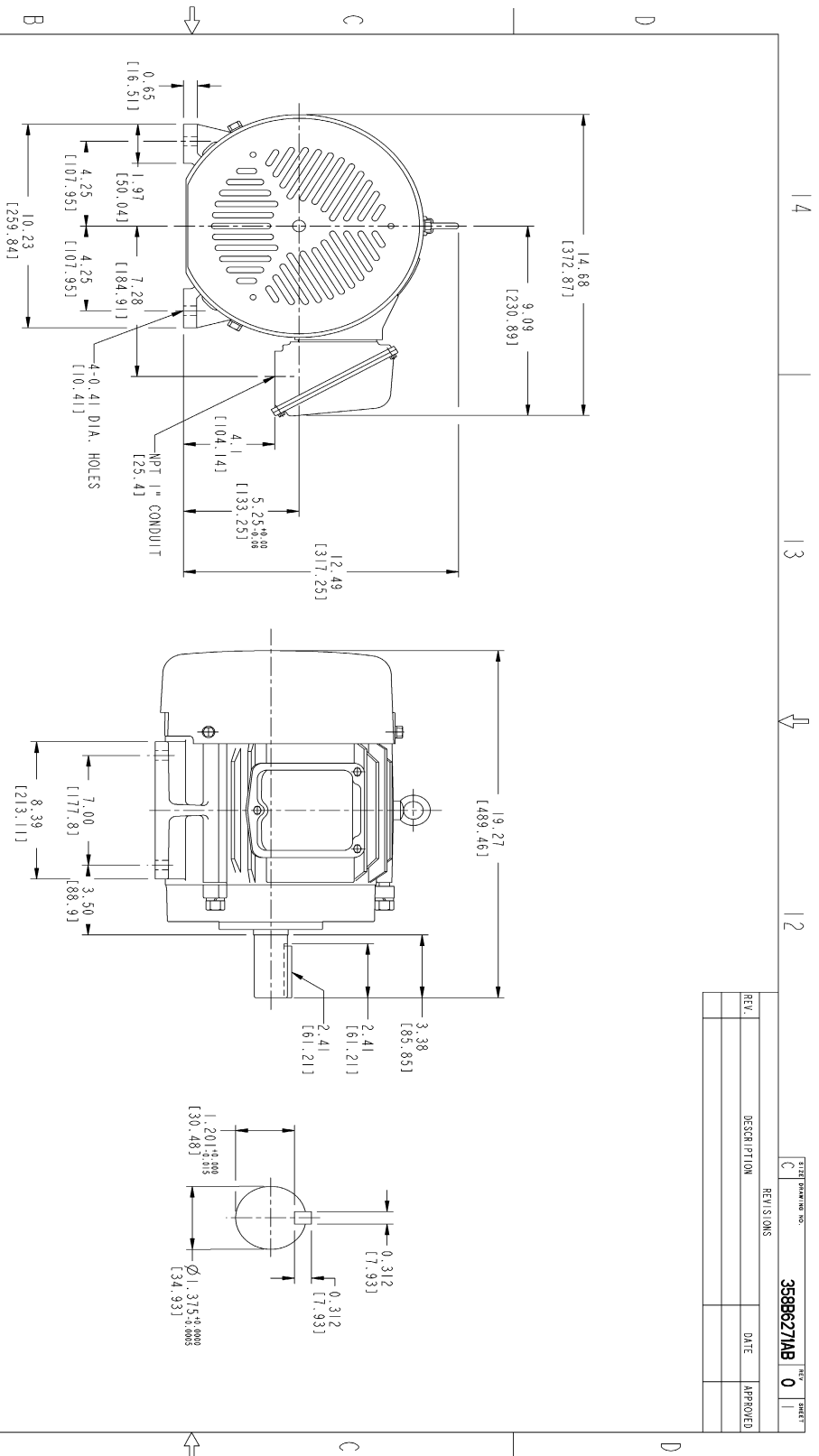
Speed Torque Current Curve (First Connection, First Speed)

— Torque — Current



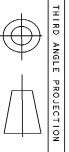
NAME:501291659 OBJECT:358B6271AB DATE:05-Dec-07 10:11:48

Marks:



NOTES :

1. DIMENSIONS ARE IN INCHES.
2. F-1 ASW AS SHOWN.
3. F-2 ASW - HAS CONDUIT BOX ON OPPOSITE SIDE.
4. BRACKETED DIMENSIONS ARE METRIC (MILLIMETERS)
5. IC411, IP54, IMB34 APPLY



Part must conform to SI 900000 Sect 4, Toxicity Procedure

FOR ADDITIONAL INFO REFER TO:		SIGNATURES		DATE	
REFLECTED DIMENSIONS ON:	DETAIL	DATE	DATE	DATE	DATE
1. DIMENSIONS ON: INCHES	GENERAL	[Signature]	[Signature]	11/05/07	11/05/07
2. PL DECIMALS ±	SALES	[Signature]	[Signature]	11/05/07	11/05/07
3. PL DECIMALS ±	R. KOHNE	[Signature]	[Signature]	11/05/07	11/05/07
4. ANGLES ±	ISSUED	[Signature]	[Signature]	11/05/07	11/05/07
5. FINISH	SUBMITAL	[Signature]	[Signature]	11/05/07	11/05/07

GE Consumer & Industrial GENERAL ELECTRIC COMPANY

TITLE: **OUTLINE**

FID - 215T TERC GE MARK

66.7 CU IN CONDUIT BOX

358B6271AB REV 0

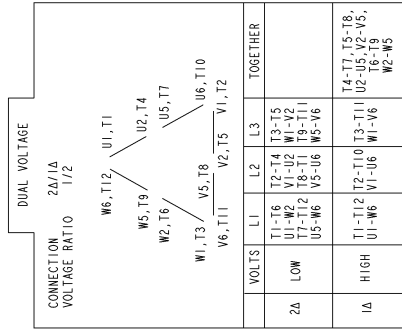
SCALE: C

SHEET 1 OF 1

REV.	DESCRIPTION	DATE	APPROVED

Marks:

Connection Diagram
GEM2034E-FIG210



NAME:501452353 OBJECT:GEM2034E-FIG210 DATE:25-Feb-08 14:03:35

