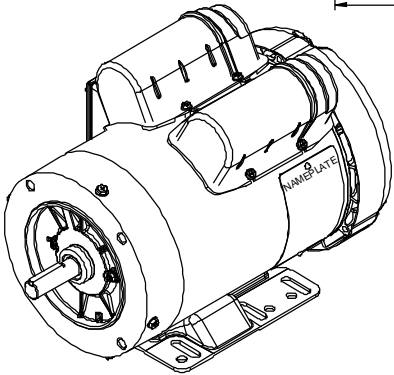
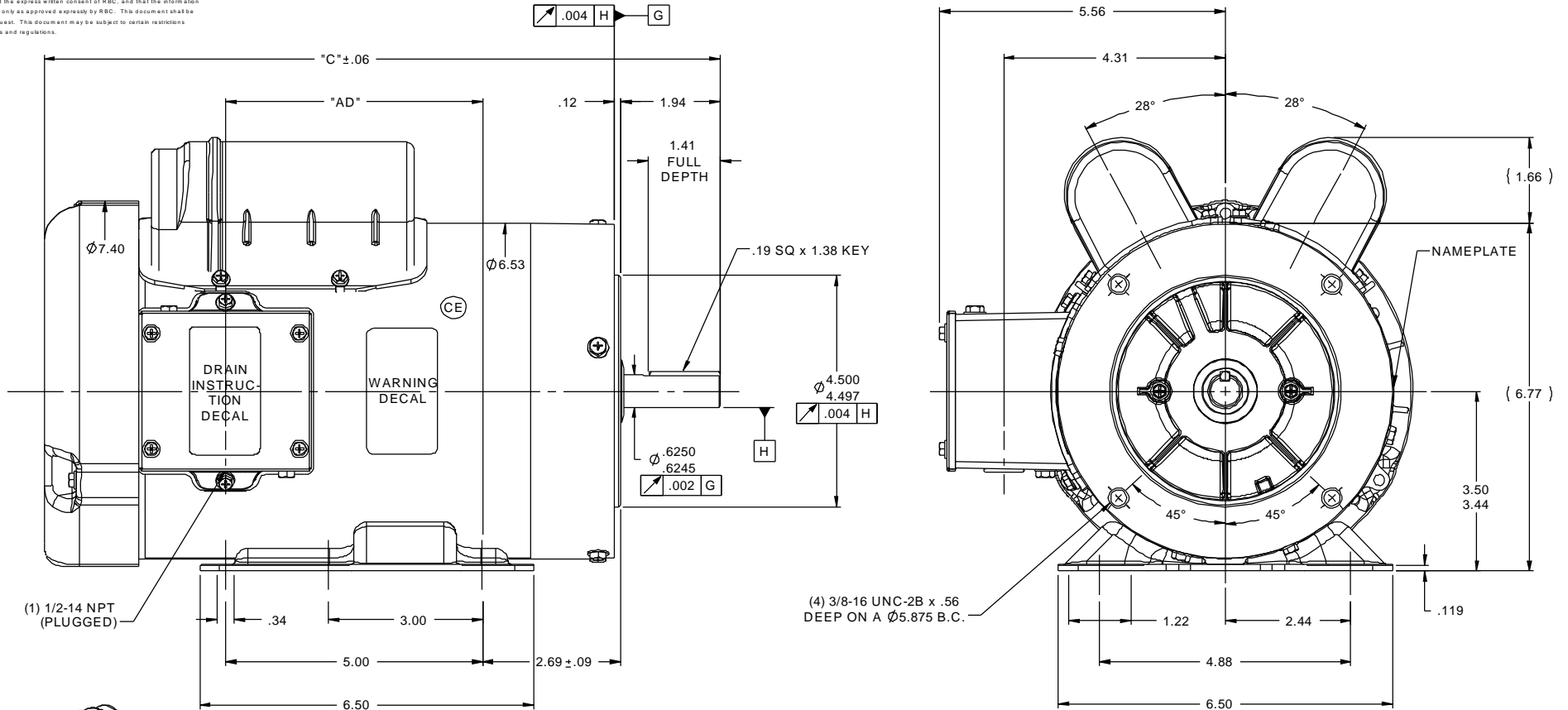


RBC PROPRIETARY AND CONFIDENTIAL INFORMATION
 This document is the property of REGAL BELOIT CORPORATION ("RBC") including its subsidiaries and divisions and contains proprietary information of RBC. This document is loaned on the express condition that neither it nor the information contained therein shall be disclosed to others without the express written consent of RBC, and that the information shall be used by the recipient only as approved expressly by RBC. This document shall be returned to RBC upon its request. This document may be subject to certain restrictions under U.S. export control laws and regulations.



DASH NO.	"C"	"AD"
700	12.66	4.50
750	13.16	5.00
800	13.66	5.50
850	14.16	6.00

- NOTES:
- 1) SHAFT SEALS & V-RING
 - 2) DRAIN HOLES IN BOTH ENDBELLS & CONDUIT BOX
 - 3) GASKETS THROUGHOUT
 - 4) STAINLESS STEEL SHAFT, HARDWARE & NAMEPLATE

TOLERANCES UNLESS SPECIFIED		MARATHON ELECTRIC		DRAWN
DEC	INCHES			GRB 10/03/08
X	±.1			CHK VS 10/03/08
XX	±.03	TITLE OUTLINE - 56HC FRAME		APPR
XXX	±.005	TEFC - RIGID "C"		SCALE 1:2
01	UPDATED PER ECR 0034519	LST 4/26/2013	XX XXXX ±.0005	MAT'L
NO	REVISION	BY & DATE	CHK LANG ±1/2°	FINISH
	THIRD ANGLE PROJECTION		RFP 10/03/08	PREV
			NETWORK FILE NAME 028884	SIZE B
				DRAWING NO 028884
				REV 01