

DATE
March 5, 2007
Cat. #: XV0604C

OUTLINE DIMENSIONS

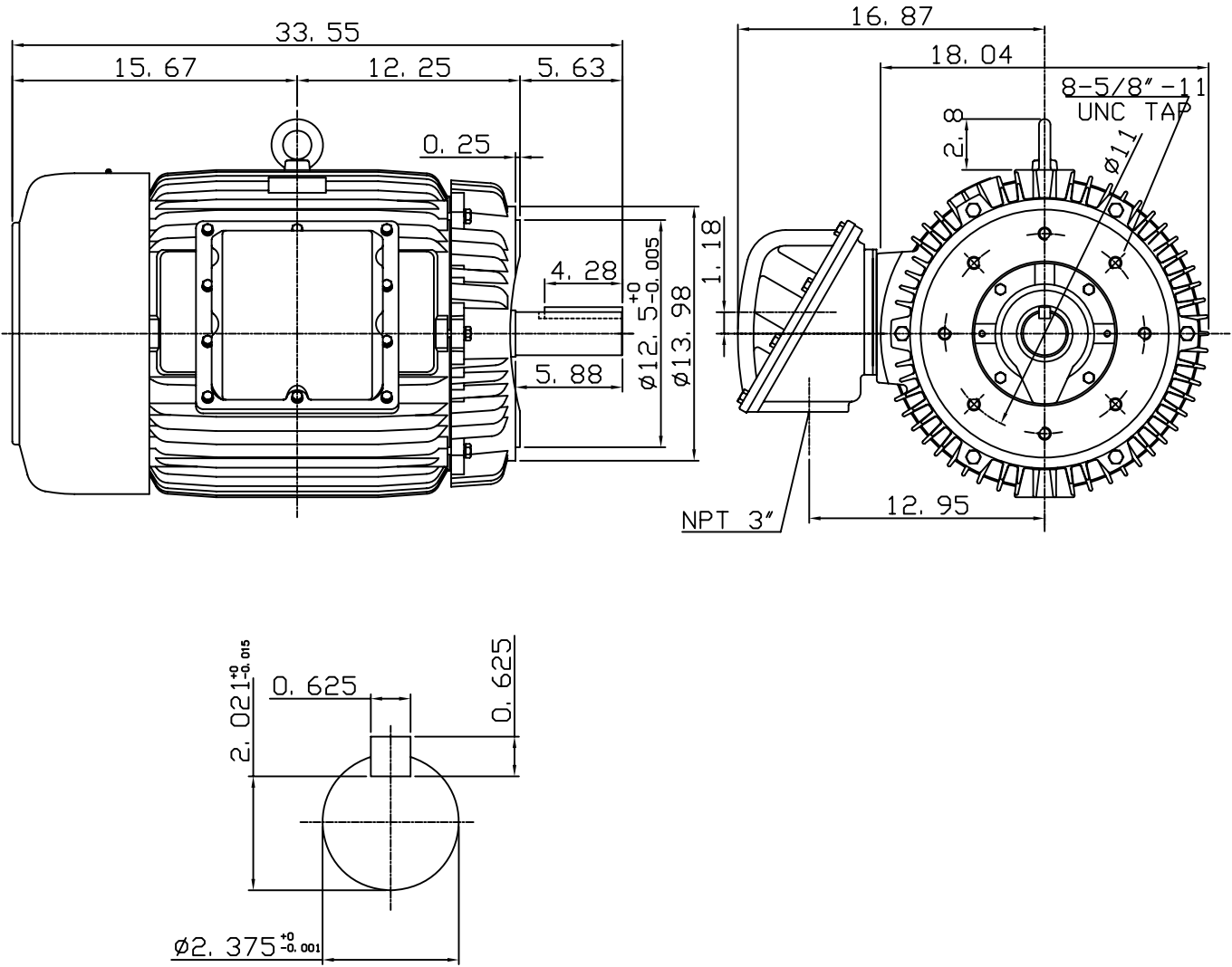
3-PHASE INDUCTION MOTOR

MOTOR TYPE:
AEUHXF
FRAME NO. 364TC

Pole	HP	kW	Hz	VOLT	Syn. Speed r/min(rpm)
4	60	44.8	60	230/460	1800

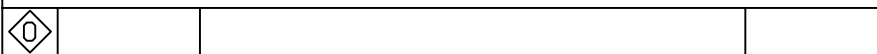
Ins	Rating	Dimension in	Approx Weight	Bearings	
F	CONT.	inches	946 lbs	DE: 6313	NDE: 6213

Totally Enclosed Fan-Cooled Vertical Type. Squirrel-Cage Rotor.



Note:

1. Suitable for division I, class I Group D & class II Group E, F, G, T2D or T3B.



DWN.	G. L. GUD	05-28-03
CHKD.	C. H. KAD	06-06-03
APPD.	M. C. TSAI	06-06-03

TEC Westinghouse

DWG NO.
31049U566000