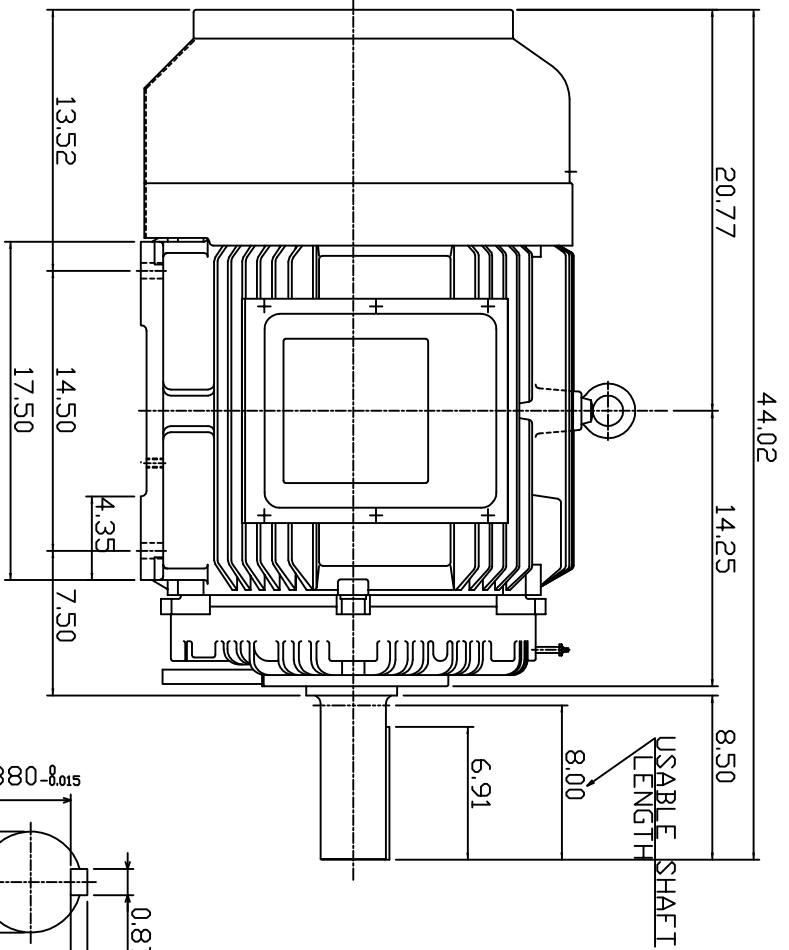
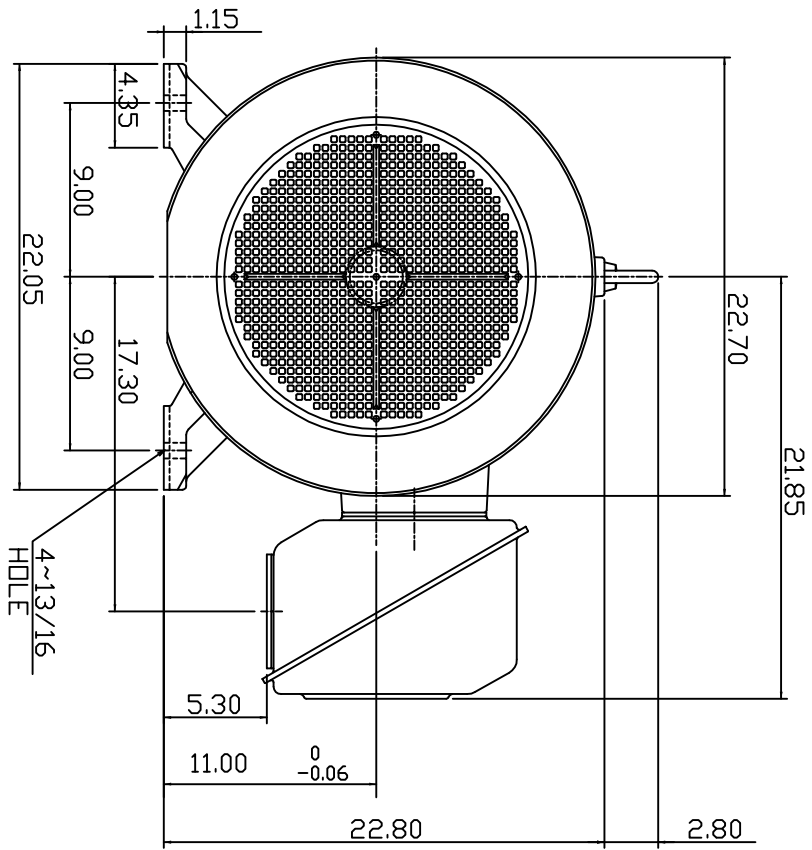


TYPE	OUTPUT		POLE	TIME RATING	VOLTAGE V	Hz	SYN SPEED RPM
	HP.	KW.					
AEHH8P	125	93.3	4	CONT.	230/460	60	1800

TOTALLY ENCLOSED FAN-COOLED TYPE, SQUIRREL-CAGE ROTOR



SHAFT END
[ENLARGED VIEW]

Ø3.375-0.001



0.875

0.875

2.880-0.015

Ø3.375-0.001

SHAFT END

[ENLARGED VIEW]

0.875

0.875

2.880-0.015

Ø3.375-0.001

SHAFT END

[ENLARGED VIEW]

0.875

0.875

2.880-0.015

Ø3.375-0.001

SHAFT END

[ENLARGED VIEW]

0.875

0.875

2.880-0.015

Ø3.375-0.001

SHAFT END

[ENLARGED VIEW]

0.875

0.875

2.880-0.015

Ø3.375-0.001

SHAFT END

[ENLARGED VIEW]

0.875

0.875

2.880-0.015

Ø3.375-0.001

SHAFT END

[ENLARGED VIEW]

0.875

0.875

2.880-0.015

Ø3.375-0.001

SHAFT END

[ENLARGED VIEW]

0.875

0.875

2.880-0.015

Ø3.375-0.001

SHAFT END

[ENLARGED VIEW]

0.875

0.875

2.880-0.015

Ø3.375-0.001

SHAFT END

[ENLARGED VIEW]

0.875

0.875

2.880-0.015

Ø3.375-0.001

SHAFT END

[ENLARGED VIEW]

0.875

0.875

2.880-0.015

Ø3.375-0.001

SHAFT END

[ENLARGED VIEW]

0.875

0.875

2.880-0.015

Ø3.375-0.001

SHAFT END

[ENLARGED VIEW]

0.875

0.875

2.880-0.015

Ø3.375-0.001

SHAFT END

[ENLARGED VIEW]

0.875

0.875

2.880-0.015

Ø3.375-0.001

SHAFT END

[ENLARGED VIEW]

0.875

0.875

2.880-0.015

Ø3.375-0.001

SHAFT END

[ENLARGED VIEW]

0.875

0.875

2.880-0.015

Ø3.375-0.001

SHAFT END

[ENLARGED VIEW]

0.875

0.875

2.880-0.015

Ø3.375-0.001

SHAFT END

[ENLARGED VIEW]

0.875

0.875

2.880-0.015

Ø3.375-0.001

SHAFT END

[ENLARGED VIEW]

0.875

0.875

2.880-0.015

Ø3.375-0.001

SHAFT END

[ENLARGED VIEW]

0.875

0.875

2.880-0.015

Ø3.375-0.001

SHAFT END

[ENLARGED VIEW]

0.875

0.875

2.880-0.015

Ø3.375-0.001

SHAFT END

[ENLARGED VIEW]

0.875

0.875

2.880-0.015

Ø3.375-0.001

SHAFT END

[ENLARGED VIEW]

0.875

0.875

2.880-0.015

Ø3.375-0.001

SHAFT END

[ENLARGED VIEW]

0.875

0.875

2.880-0.015

Ø3.375-0.001

SHAFT END

[ENLARGED VIEW]

0.875

0.875

2.880-0.015

Ø3.375-0.001

SHAFT END

[ENLARGED VIEW]

0.875

0.875

2.880-0.015

Ø3.375-0.001

SHAFT END

[ENLARGED VIEW]

0.875

0.875

2.880-0.015

Ø3.375-0.001

SHAFT END

[ENLARGED VIEW]

0.875

0.875

2.880-0.015

Ø3.375-0.001

SHAFT END

[ENLARGED VIEW]

0.875

0.875

2.880-0.015

Ø3.375-0.001

SHAFT END

[ENLARGED VIEW]

0.875

0.875

2.880-0.015

Ø3.375-0.001

SHAFT END

[ENLARGED VIEW]

0.875

0.875

2.880-0.015

Ø3.375-0.001

SHAFT END

[ENLARGED VIEW]

0.875

0.875

2.880-0.015

Ø3.375-0.001

SHAFT END

[ENLARGED VIEW]

0.875

0.875

2.880-0.015

Ø3.375-0.001

SHAFT END

[ENLARGED VIEW]

0.875

0.875

2.880-0.015

Ø3.375-0.001

SHAFT END

[ENLARGED VIEW]

0.875

0.875

2.880-0.015

Ø3.375-0.001

SHAFT END

[ENLARGED VIEW]

0.875

0.875

2.880-0.015

Ø3.375-0.001

SHAFT END

[ENLARGED VIEW]

0.875

0.875

2.880-0.015

Ø3.375-0.001

SHAFT END

[ENLARGED VIEW]

0.875

0.875

2.880-0.015

Ø3.375-0.001

SHAFT END

[ENLARGED VIEW]

0.875

0.875

2.880-0.015

Ø3.375-0.001

SHAFT END

[ENLARGED VIEW]

0.875

0.875

2.880-0.015

Ø3.375-0.001

SHAFT END

[ENLARGED VIEW]

0.875

0.875

2.880-0.015

Ø3.375-0.001

SHAFT END

[ENLARGED VIEW]

0.875

0.875

2.880-0.015

Ø3.375-0.001

SHAFT END

[ENLARGED VIEW]

0.875

0.875

2.880-0.015

Ø3.375-0.001

SHAFT END

[ENLARGED VIEW]

0.875

0.875