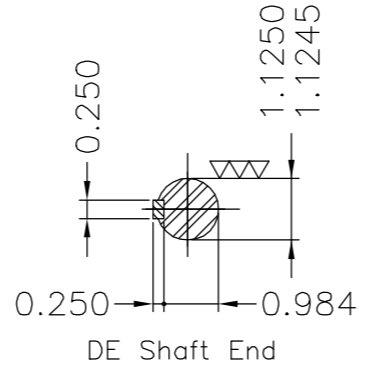
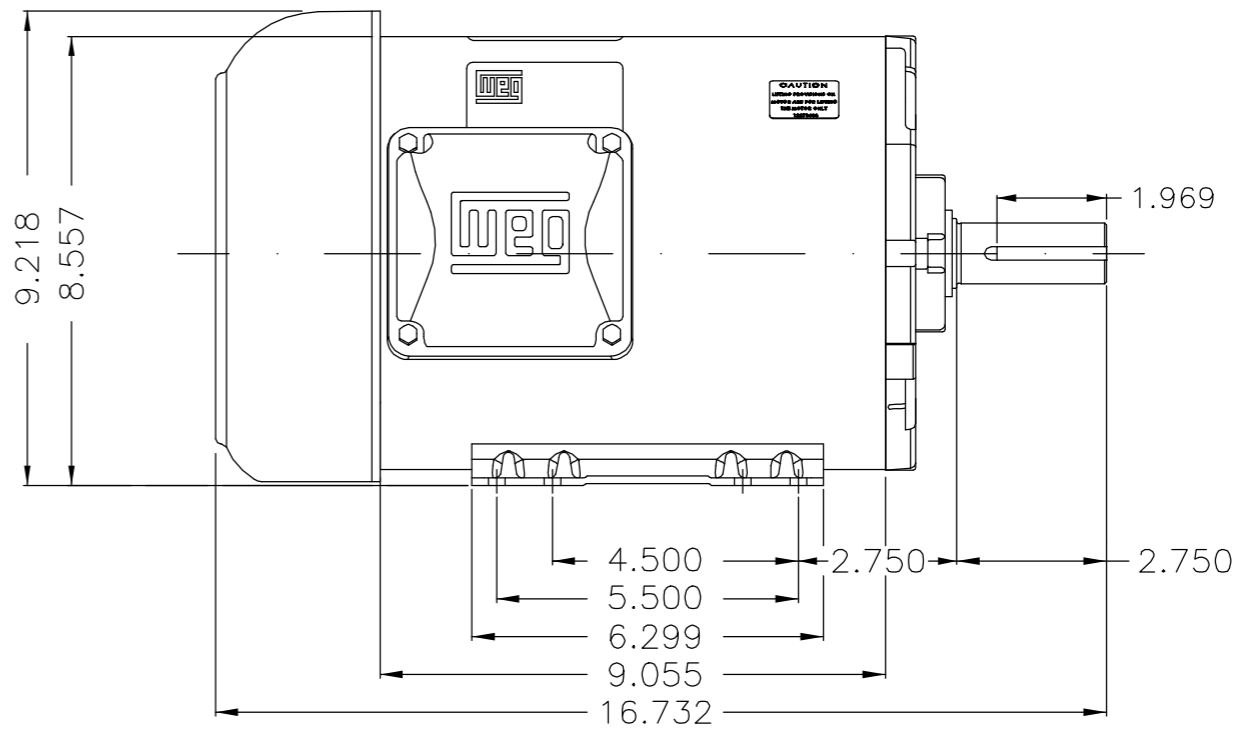
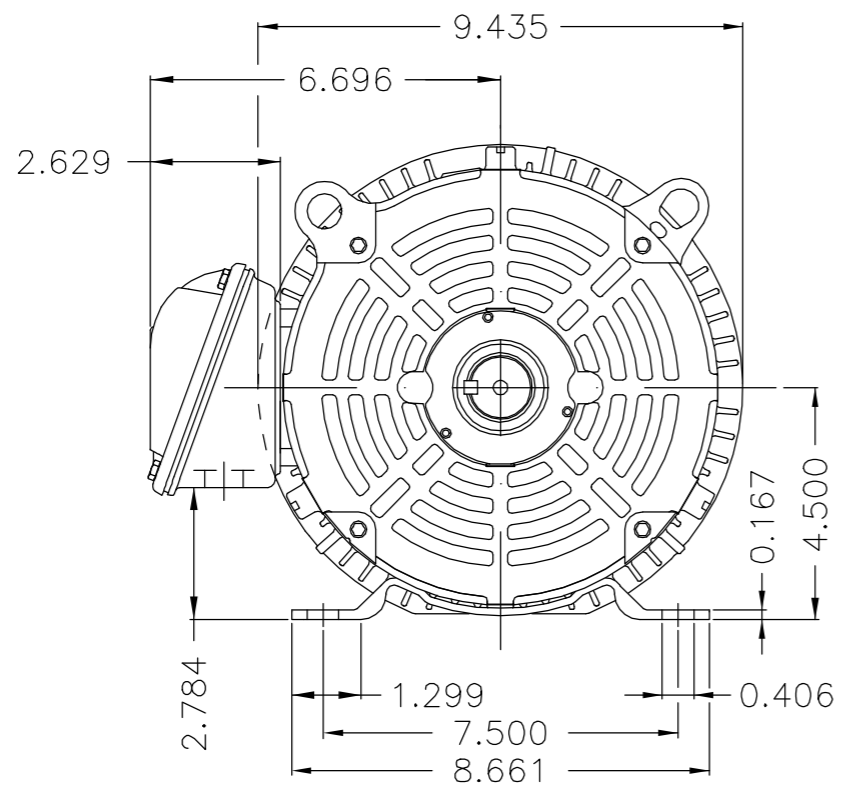
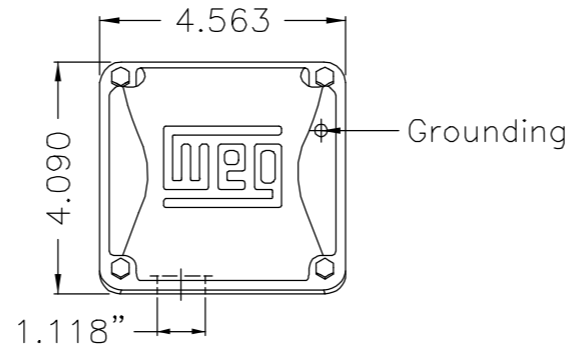


EIXO/SHAFT	
PADRÃO/STANDARD	X
OPCIONAL/OPTIONAL	
ESPECIAL/SPECIAL	

Dimensões em polegadas  
Dimensions in inches

THIS IS AN UPDATED REVISION, THE PREVIOUS ONE MUST BE DISREGARDED.



A  
B  
C  
D  
E

UNCONTROLLED COPY

Plano de pintura 207N / Painting plan 207N						
Forma construtiva B3D / Mounting F-1/B3R(D)						
<b>WEG ELECTRIC CORP.</b>						
500001146687		ATUALIZADO PLANO DE PINTURA	MENSOR		ODORIZZI	15.03.2016 01
500000938011		DOCUMENTO NOVO	PATRICKL		JTOGNERI	12.09.2014 00
ECM	LOC	SUMMARY OF MODIFICATIONS	EXECUTED	CHECKED	RELEASED	DATE VER
EXECUTED	PATRICKL	THREE P. MOTOR TEFC ROLLED STEEL NEMA P. FRAME 182/4T IP55			10003090668	
CHECKED					000   01	
RELEASED	JTOGNERI					
REL DT	12.09.2014	WMO	JARAGUA DO SUL	ENGENHARIA DE PRODUTO	SHEET	1 / 1

5 HP 04 Poles 60Hz 413568203

A



RELEASED

ZME A3