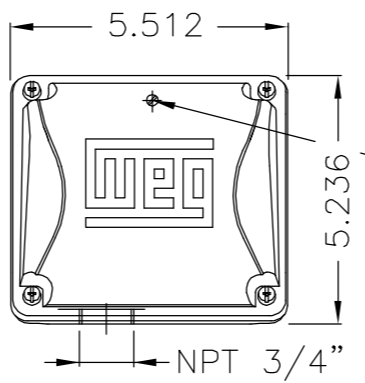


No reproduction of this drawing is allowed without written permission of WEG Motores

EIXO	
PADRÃO	
OPCIONAL	
ESPECIAL	X

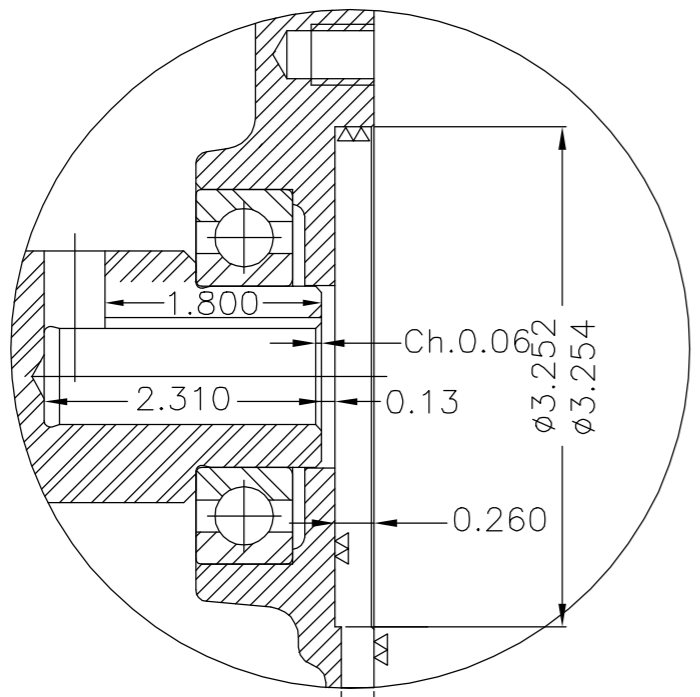
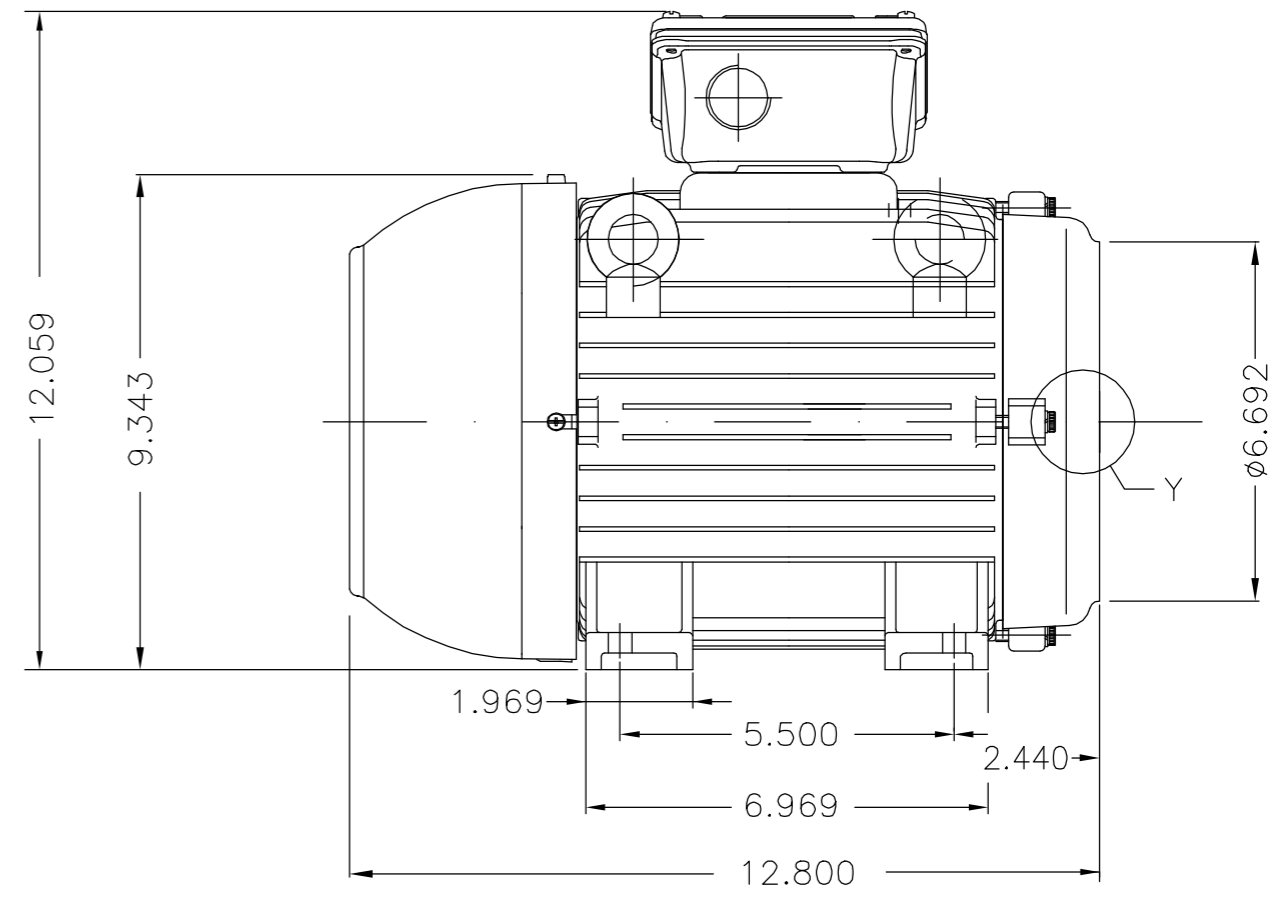
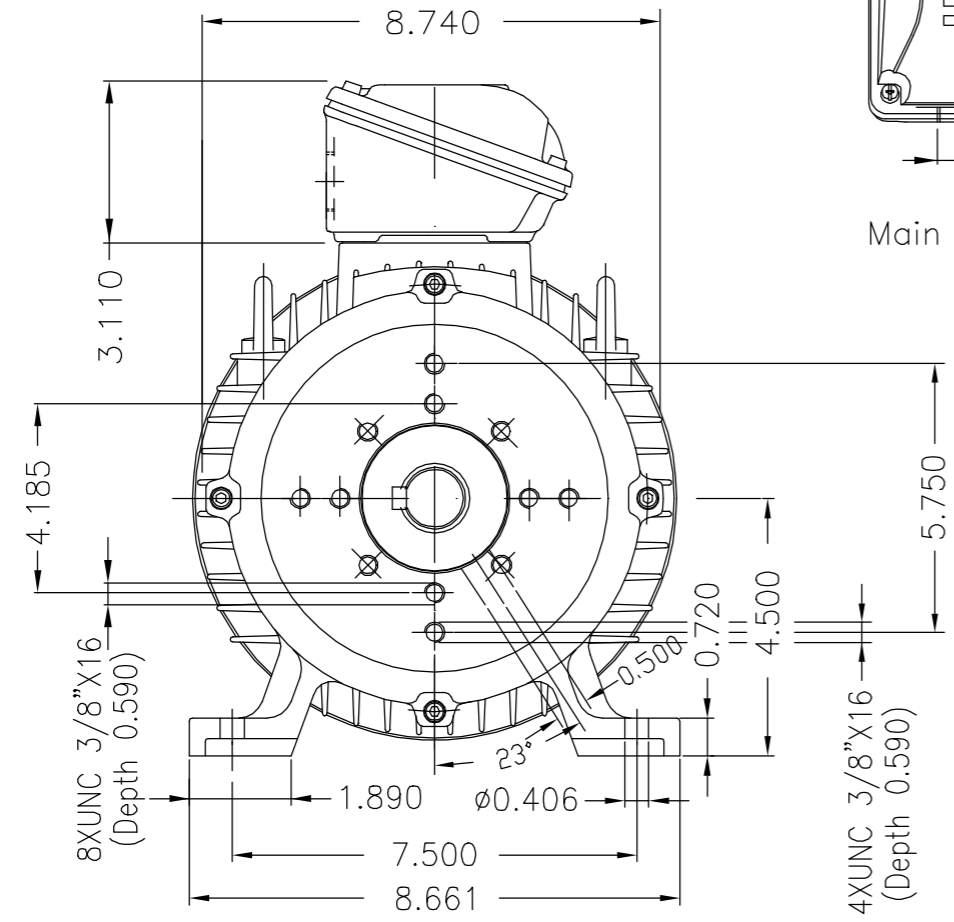
Dimensões em polegadas  
Dimensions in inches

THIS IS AN UPDATED REVISION, THE PREVIOUS ONE MUST BE DISREGARDED.

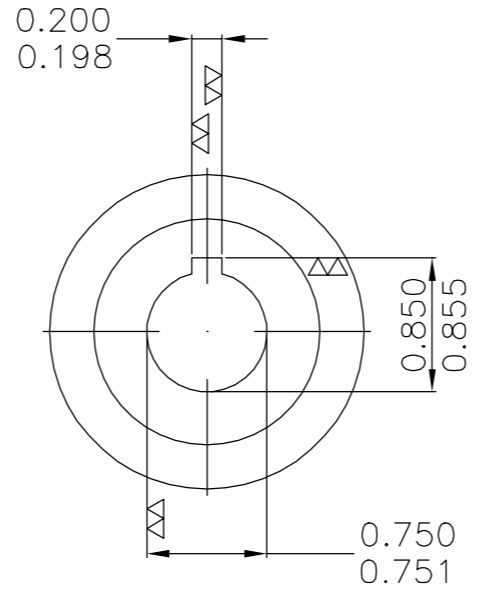


Main terminal box

Grounding for leads 2-10mm



Detail Y



View Z

Carcaça especial / Special frame  
Tampa flangeada especial / Special flange  
Motor com pacote deslocado, prensagem especial / Stator and rotor core are displaced, special pressing  
Categoria A / Design A  
Plano de pintura 207A / Painting plan 207A  
Forma construtiva B34T / Mounting B34T

WEG ELECTRIC CORPORATION - WEC

500001083079		ALT. CFM DETALHAMENTO	ADRIANAP		CLAUDEMIRR	08.09.2015	02
500000589633		DOCUMENTO NOVO	ADRIANAP		SCARMAGNANI	19.03.2012	01
ECM	LOC	SUMMARY OF MODIFICATIONS	EXECUTED	CHECKED	RELEASED	DATE	VER
EXECUTED	ADRIANAP	THREE PHASE HIGH EFFICIENCY MOTOR W22 FRAME 184TYZ IP55			10001661782		
CHECKED					000   02		
RELEASED	ADEMILSON				000   02		
REL DT	16.03.2012	WMO	JARAGUA DO SUL	ENGENHARIA DE PRODUTO	SHEET	1 / 1	

5 HP 04 Poles 60Hz 412419063/0 ELET/MEC



UNCONTROLLED COPY

RELEASED

ZME A3