

DATE
Sept. 13, 2005
CAT. #: HB0408

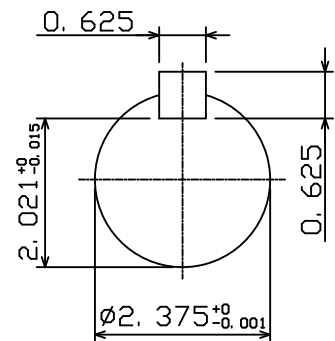
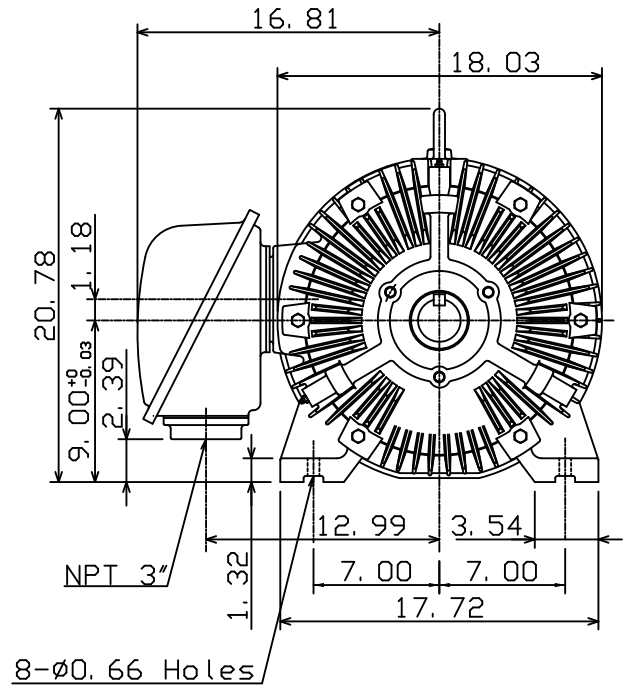
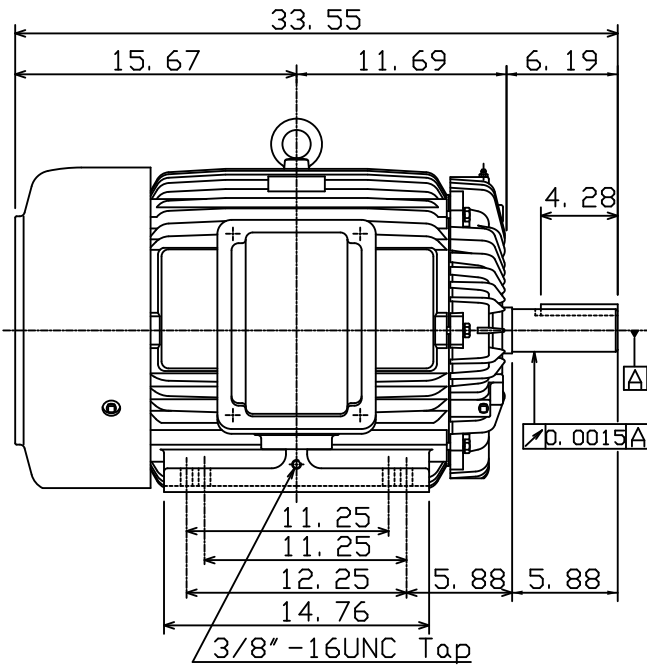
OUTLINE DIMENSIONS
3-PHASE INDUCTION MOTOR

MOTOR TYPE:
AEHH8B
FRAME NO. 365T

Pole	HP	kW	Hz	VOLT	Syn. Speed r/min(rpm)
8	40	29.8	60	460	900

Ins	Rating	Dimension in	Approx Weight	Bearings
F	CONT.	inches	913 lbs.	DE: 6313ZC3 NDE: 6213ZC3

Totally Enclosed Fan-Cooled Squirrel-Cage Rotor.



Note:

1. Motor Vibration: 15 μ .
2. Inpro/Seal in Both End Brackets

① 01. 20. 05

K. L. KUD

DWN.	C. H. SHYU	01-16-01
CHKD.	C. H. KAO	01-16-01
APPD.	Y. B. HUANG	01-16-01

TEC Westinghouse

DWG NO.
31049M632251