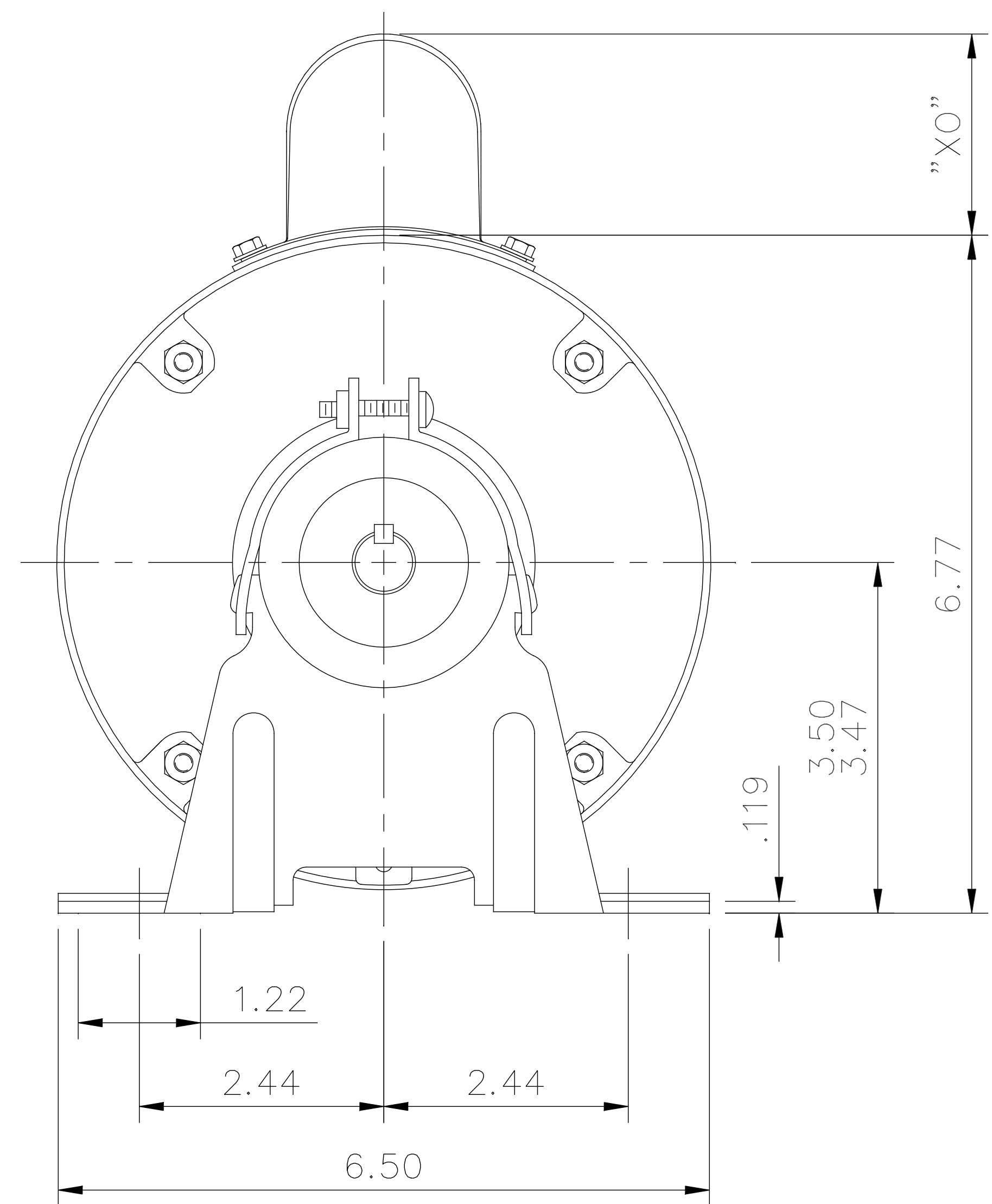
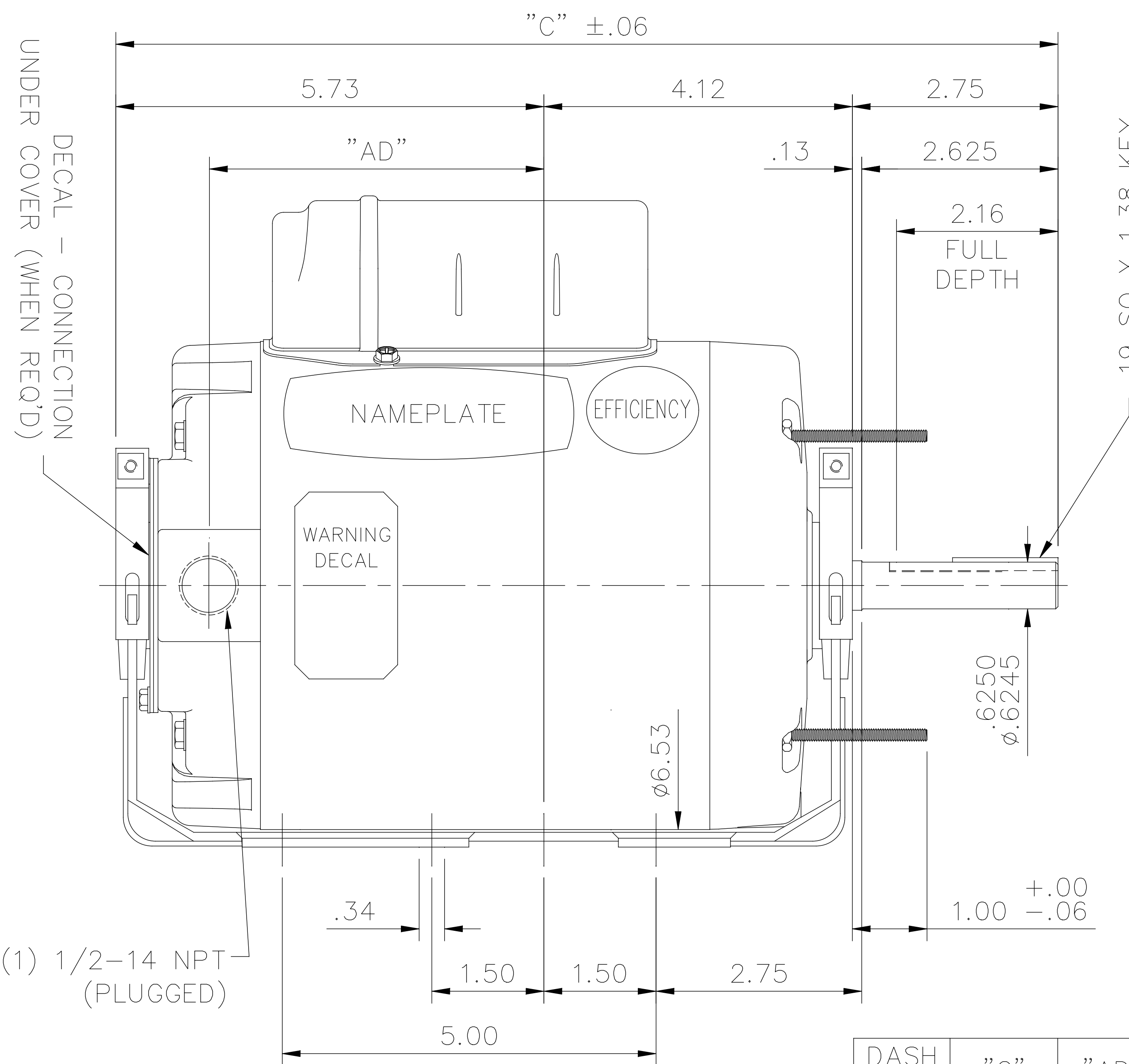


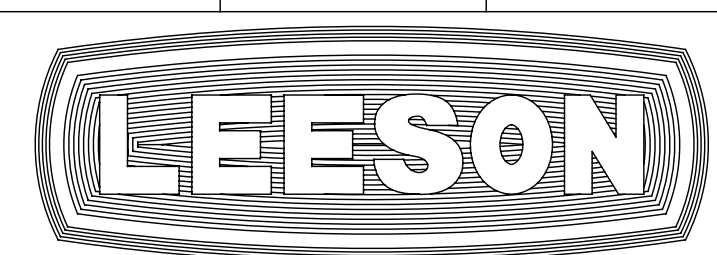
028752



DASH NO.	"C"	"AD"	CAP. DASH	"X0"
550	12.10	3.97		
600	12.60	4.47		
650	13.10	4.97	A	1.54
700	13.60	5.47	B	2.01
750	14.10	5.97	C	2.25

ORACLE REV
03

GASKETS THROUGHOUT



ELECTRIC MOTORS
GEARMOTORS
AND DRIVES

TITLE
OUTLINE - 56H FRAME
TENV - RESILIENT

				TOLERANCES UNLESS SPECIFIED				DRAWN RDW 3/17/06
				DEC.	INCHES			CHK
				.X	±.1			APPD SW 3/17/06
				.XX	±.03			SCALE 3=8
				.XXX	±.005			REF
D	CHANGED WARNING DECAL PER ECO-0121136	ARV 4/1/17	SK	.XXXX	±.0005	MAT'L.		FMF
NO.	REVISION	BY & DATE	CHK	ANG	±1/2"	FINISH		PREV
THIS DRAWING IN DESIGN AND DETAIL IS OUR PROPERTY AND MUST NOT BE USED EXCEPT IN CONNECTION WITH OUR WORK ALL RIGHTS OF DESIGN AND INVENTION ARE RESERVED THIS IS AN ELECTRONICALLY GENERATED DOCUMENT - DO NOT SCALE THIS PRINT				RFP	3/17/06	CAD FILE	028752	SIZE A
				DIST			DRAWING NO. 028752	REV. D