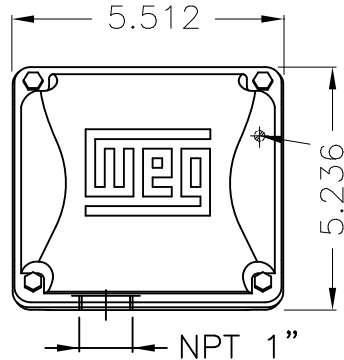
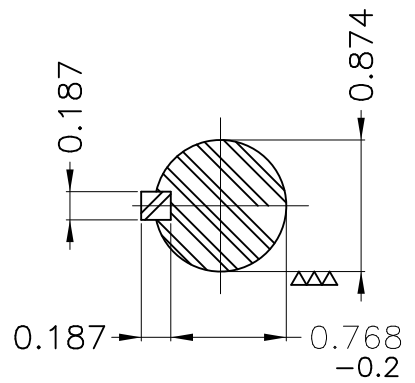
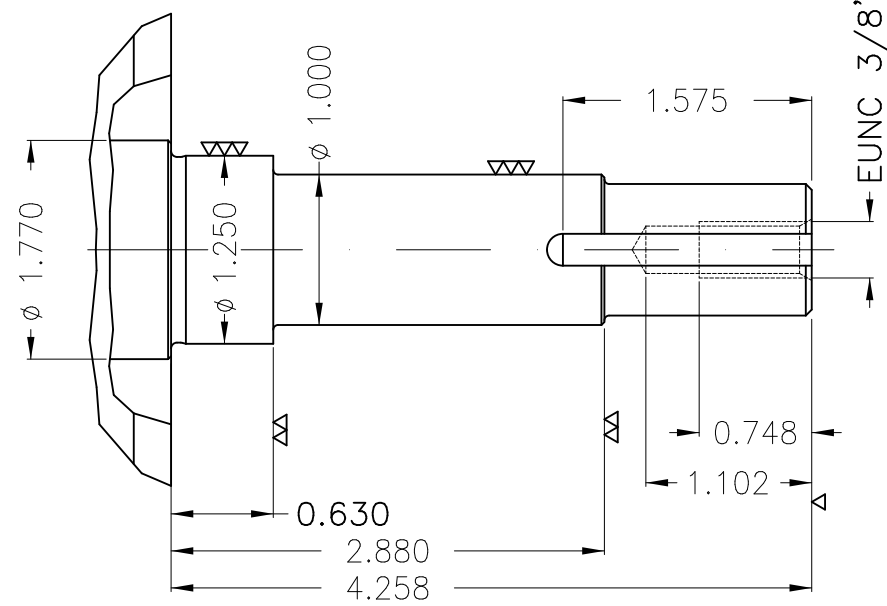
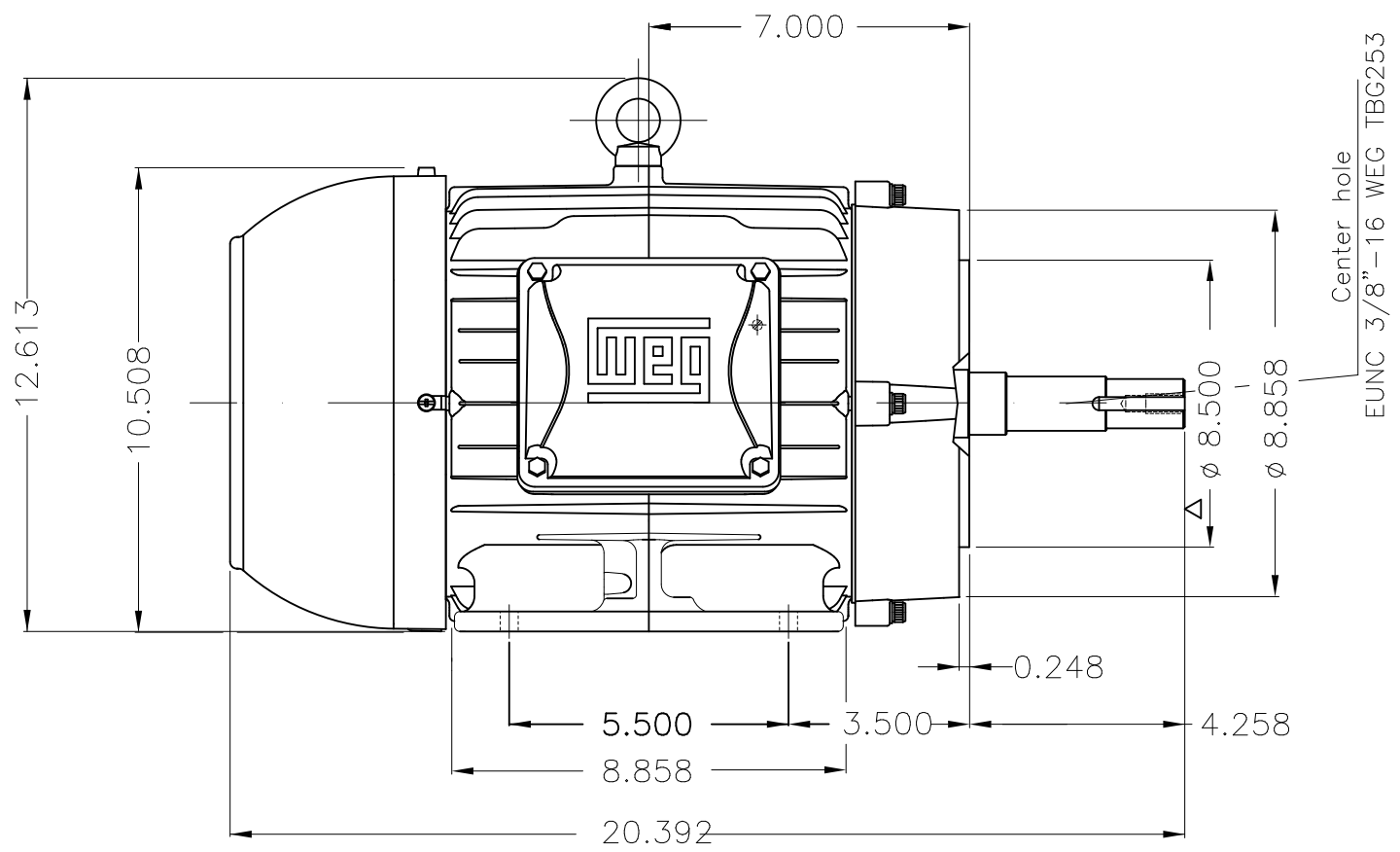
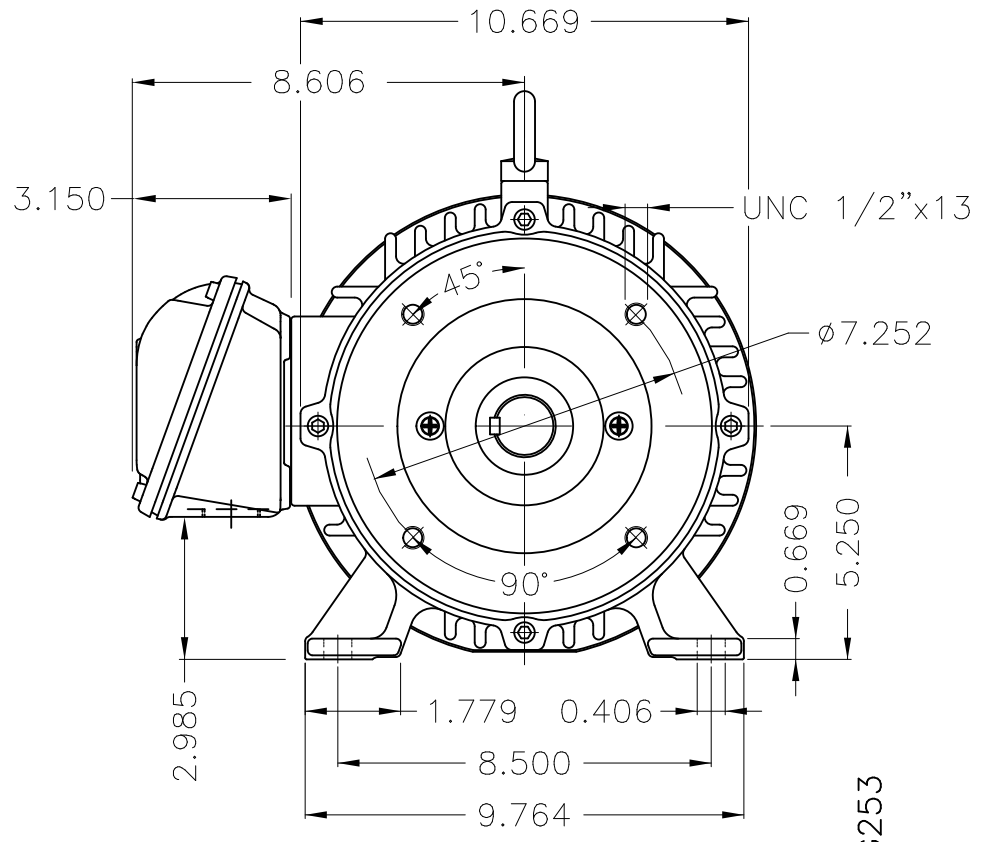


Dimensões em polegada  
Dimensions in inches

THIS IS AN UPDATED REVISION, THE  
PREVIOUS ONE MUST BE DISREGARDED.



Main terminal box



EUNC 3/8"-16 WEG TBG253

Center hole  
EUNC 3/8"-16 WEG TBG253

Color RAL 5009		Painting plan 207A		Mounting B34R(D)							
ECM	LOC	SUMMARY OF MODIFICATIONS				EXECUTED	CHECKED	RELEASED	DATE	VER	
EXECUTED	USERADMIN	THREE PHASE MOTOR W22 NEMA PREMIUM EFF.									
CHECKED		FRAME 213/5JM IP55 TEFC									
RELEASED		WEG code: 12132187									
REL DT	24.07.2017	WMO	Jaragua do Sul	Product Engineering	SHEET	1 / 1					

5 HP 06 Poles 60Hz

