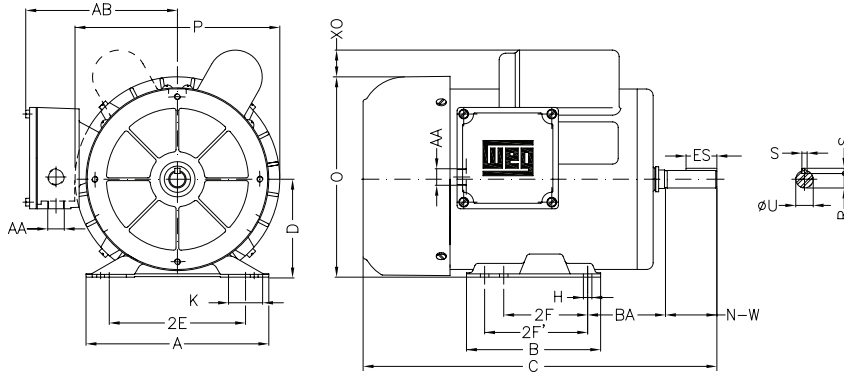


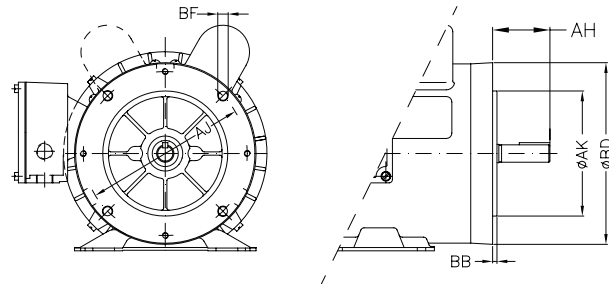
Farm Duty Motors

TEFC - Mechanical Data



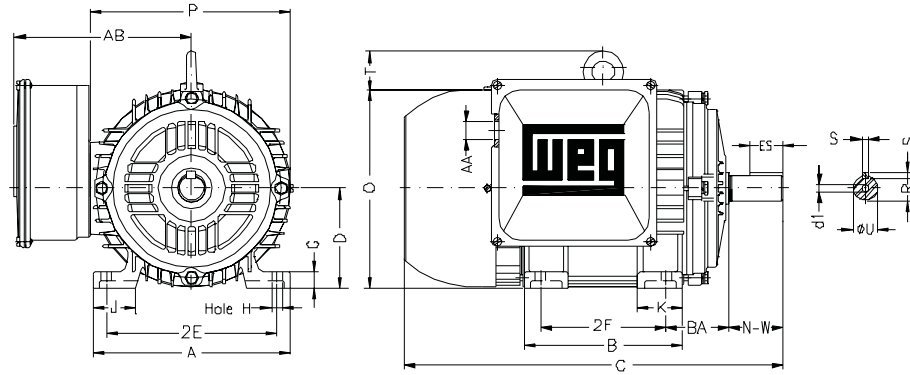
NEMA Frames	Mounting					A	B	C	D	O	P	XO	Keyway			Shaft Extension		AB	AA	Bearings	
	2E	2F	H	H1	BA								S	R	ES	N-W	U			D.E.	N.D.E.
B56	4.875	3.000	0.343	1.220	2.750	6.535	4.016	11.102	3.500	7.165	7.323	1.064	0.187	0.517	1.102	1.874	0.625	5.433	NPT0.5"	6203-ZZ	6202-ZZ
D56								12.283												6204-ZZ	
F56H								13.464													6203-ZZ
G56H								13.858													
F143T	5.500	5.000			2.250		6.498	14.488												6205-ZZ	
G145T								14.882													0.766

"C" Flange Dimensions							
NEMA Frames	AJ	AK	BD	BF		BB	AH
				Number	Tap Size		
B56	5.875	4.500	6.535	4	UNC3/8"x16	0.157	2.063
D56							
F56H							
G56H							
F143T							2.125
G145T							



Farm Duty Motors

TEFC - Mechanical Data



NEMA Frames	Mounting				A	B	C	D	G	J	K	O	P	T	Keyway			Shaft Extension		AB	AA	d1	Bearings		
	2E	2F	H	BA											S	R	ES	N-W	U				D.E.	N.D.E.	
W182/4T	7.500	4.500	0.406	2.750	8.661	6.968	17.240	4.500	0.630	1.890	2.441	8.267	7.800	1.851	0.250	1.234	1.771	2.750	1.125	7.362	NPT0.75"	A4	6206-ZZ	6206-ZZ	
184T		5.500					17.050				1.968									7.835			6307-ZZ		
W213/5T	8.500	7.000		3.500	9.765	8.875	21.000	5.250	0.830	2.000	3.343	9.610	8.820	1.890	0.312	1.516	2.480	3.375	1.375	7.953			NPT1"		6308-ZZ
215T							19.500				2.165		10.630							9.055					9.055

"C" Flange Dimensions								
NEMA Frames	AJ	AK	BD	BF		BB	BC	AH
				Number	Tap Size			
W182/4T	7.250	8.500	8.860	4	UNC0.5"x13	0.250	0.250	3.120
184T								
W213/5T								
215T								

