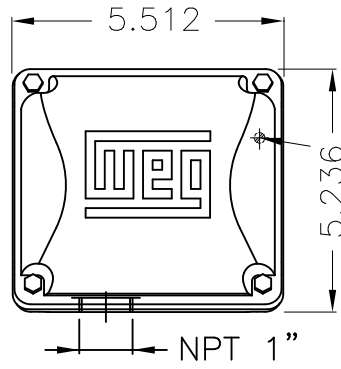
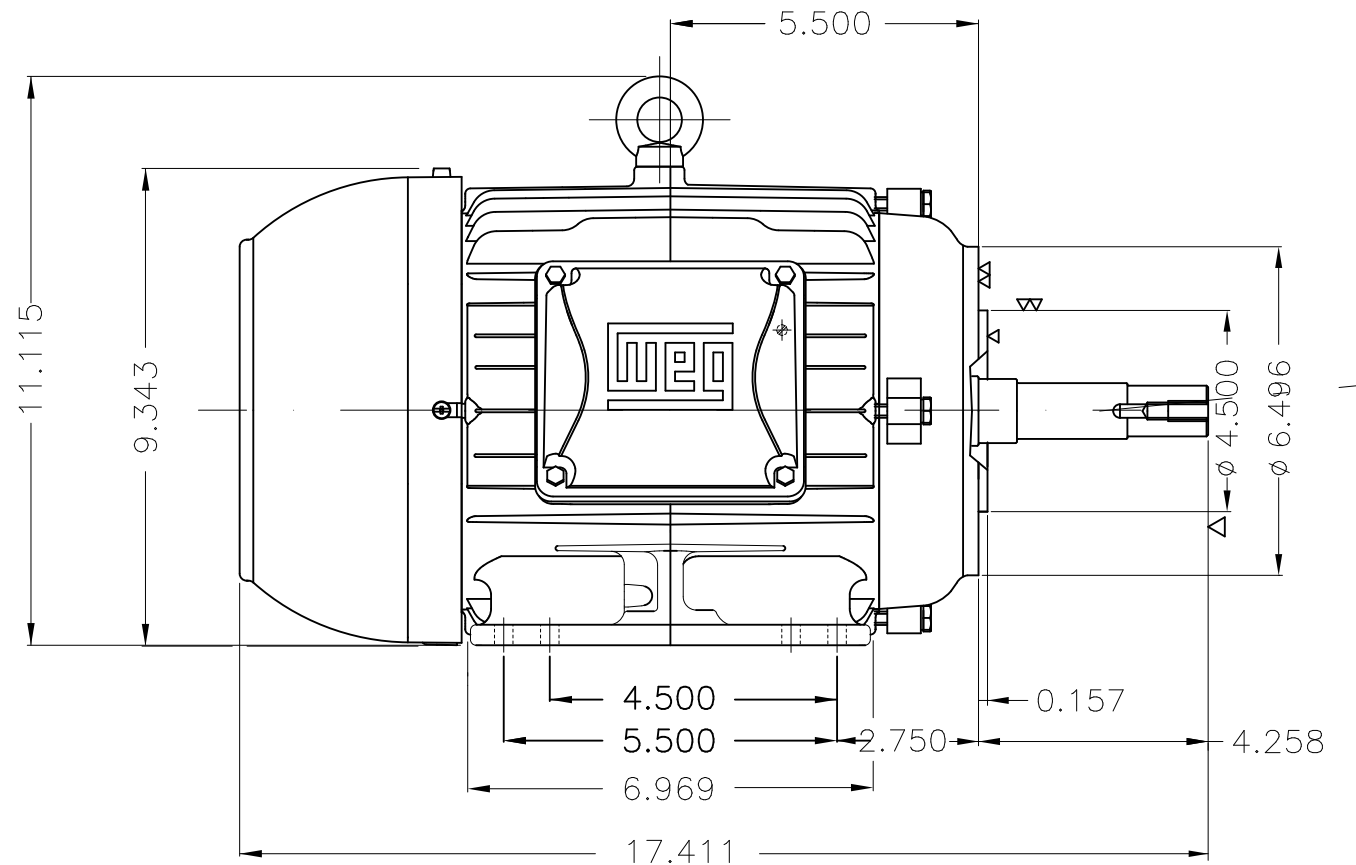
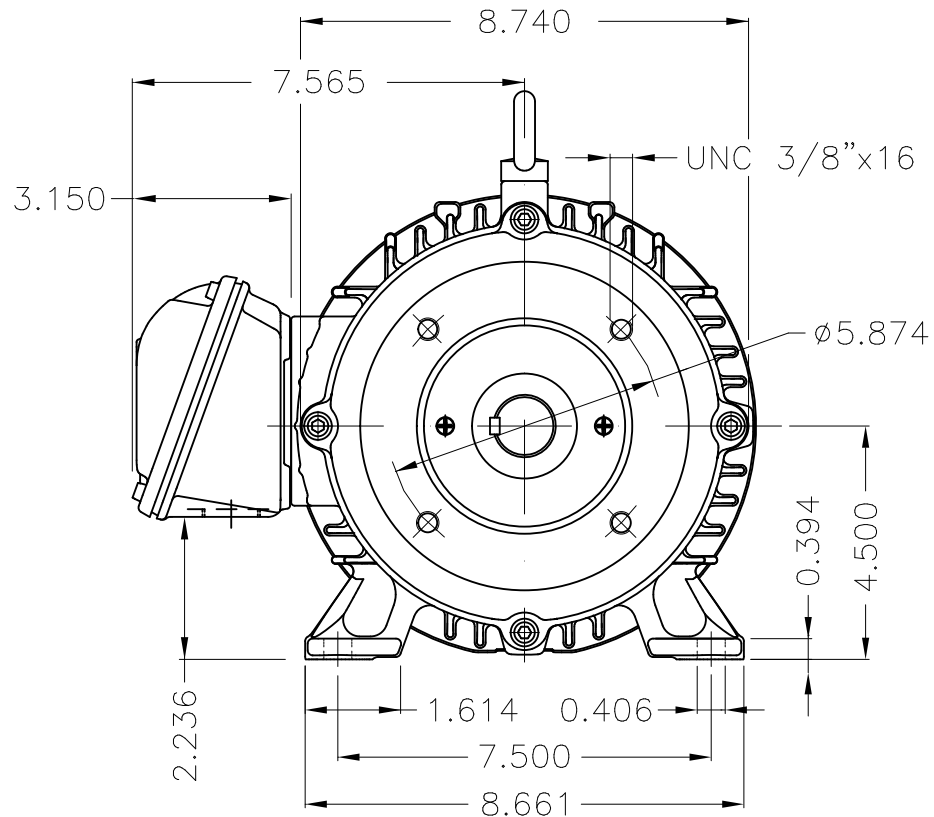


Dimensões em polegada
Dimensions in inches

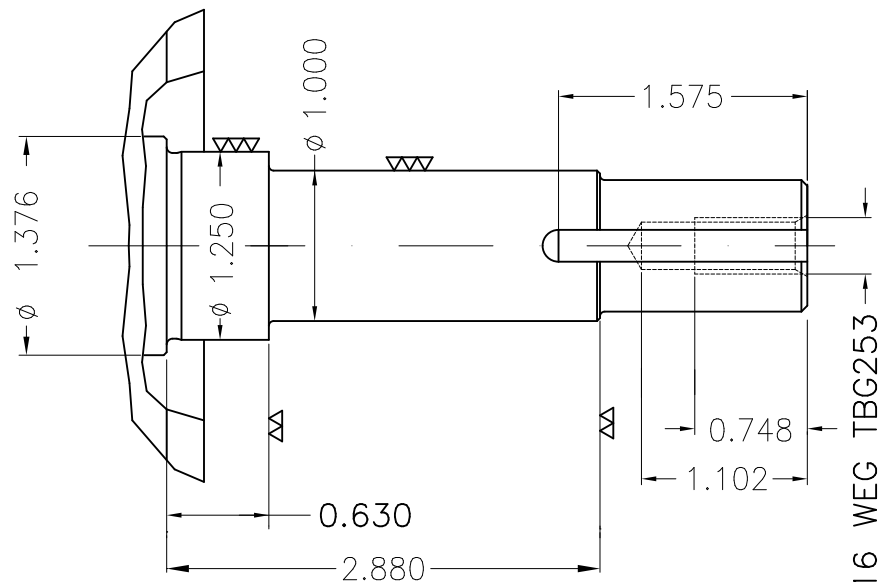
THIS IS AN UPDATED REVISION, THE
PREVIOUS ONE MUST BE DISREGARDED.



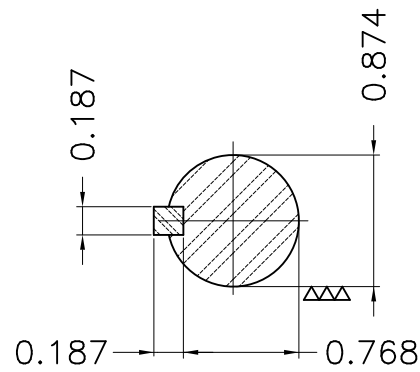
Main terminal box



Center hole
EUNC 3/8"-16 WEG TBG253



EUNC 3/8"-16 WEG TBG253



Color RAL 5009
Painting plan 207A
Mounting B34R(D)

| ECM | LOC | SUMMARY OF MODIFICATIONS | | | EXECUTED | CHECKED | RELEASED | DATE | VER |
|----------|------------|--------------------------|---|---------------------|----------|---------|----------|------|-----|
| EXECUTED | USERADMIN | | THREE PHASE MOTOR W22 NEMA PREMIUM EFF. | | | | | | |
| CHECKED | | | FRAME 182/4JM IP55 TEFC | | | | | | |
| RELEASED | | | WEG code: 12598689 | | | | | | |
| REL DT | 24.07.2017 | WMO | Jaragua do Sul | Product Engineering | SHEET | 1 / 1 | | | |

3 HP 02 Poles 60Hz

A

