

DATE  
February 18, 2004

# OUTLINE DIMENSIONS

MOTOR TYPE:  
ASGAJP

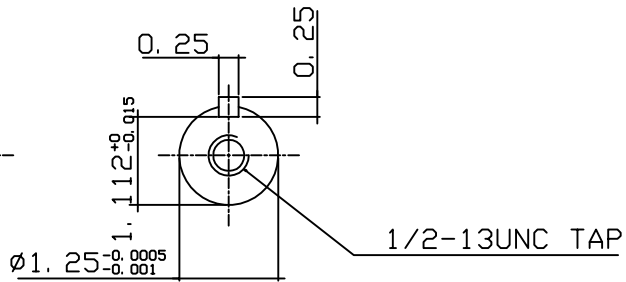
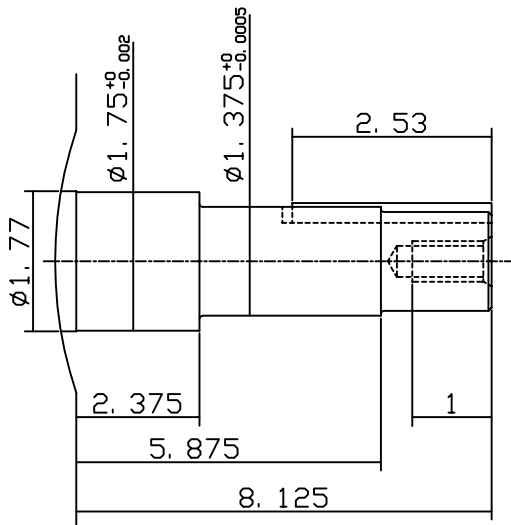
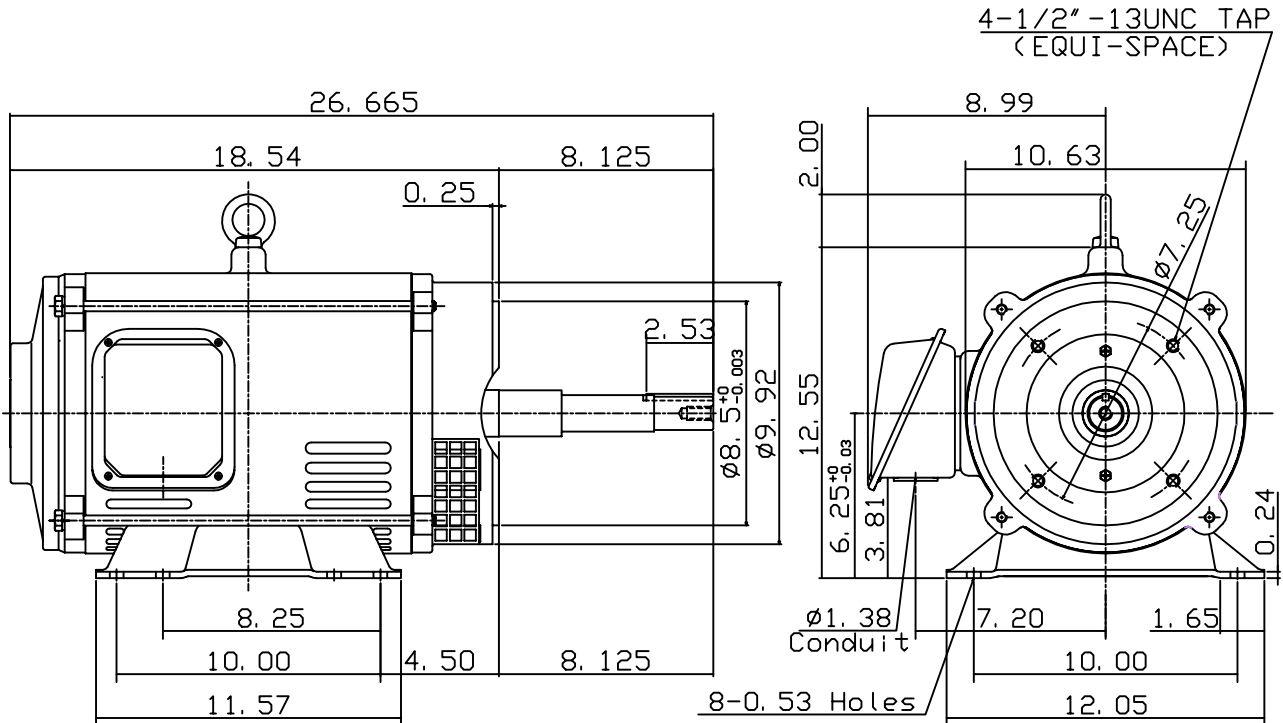
CATALOG NO.  
DJPO154

## 3-PHASE INDUCTION MOTOR

FRAME NO. 254JP

Pole	HP	kW	Hz	VOLT	Syn. Speed r/min(rpm)
4	15	11.2	60	230/460	1800
Ins	Rating	Dimension in	Approx Weight	Bearings	
F	CONT.	inches	243 lbs.	DE: 6309ZZC3 NDE: 6208ZZC3	

Open Protected Drip-Proof Squirrel-Cage Rotor.



DWN.	J. T. HWANG	04-11-03
CHKD.	J. S. JEAN	04-11-03
APPD.	Y. B. HUANG	04-11-03

TECO Westinghouse

DWG NO.  
31049U528521