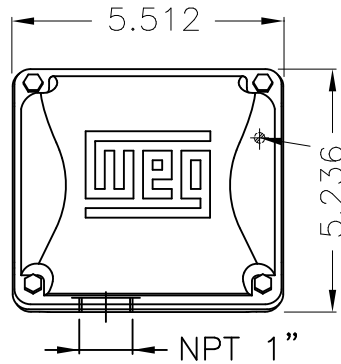


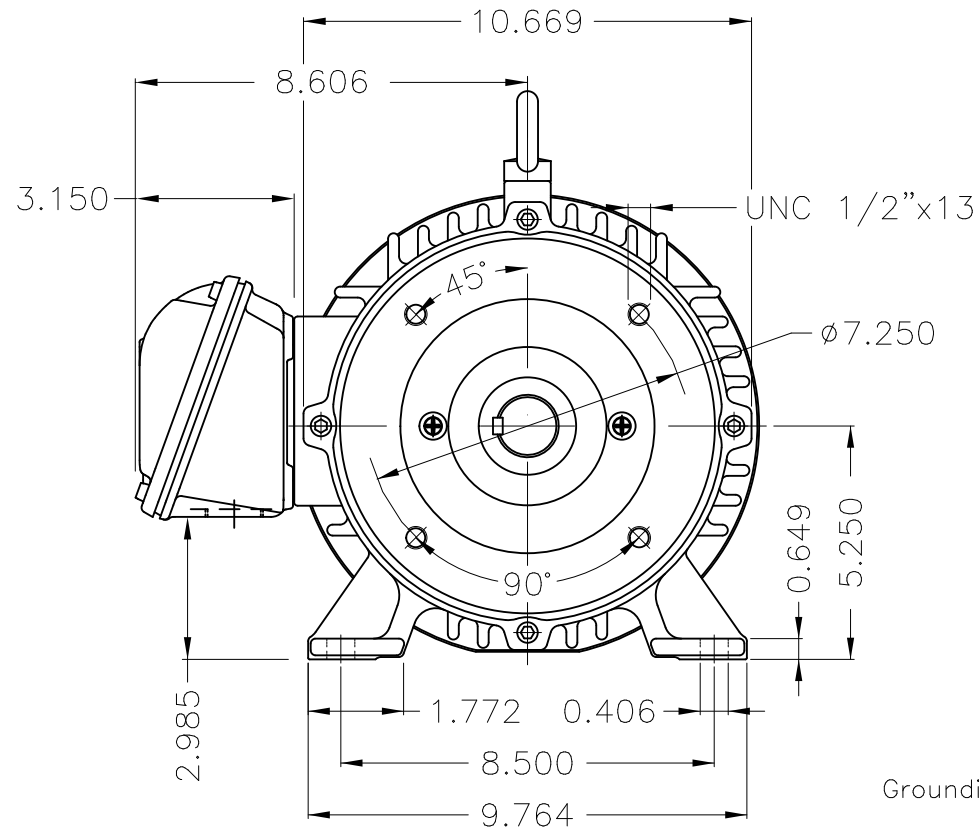
Dimensões em polegada  
Dimensions in inches

THIS IS AN UPDATED REVISION, THE  
PREVIOUS ONE MUST BE DISREGARDED.

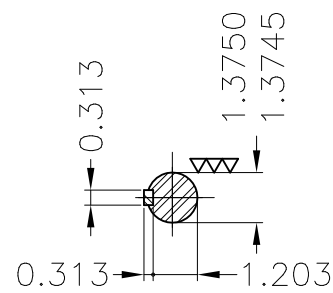
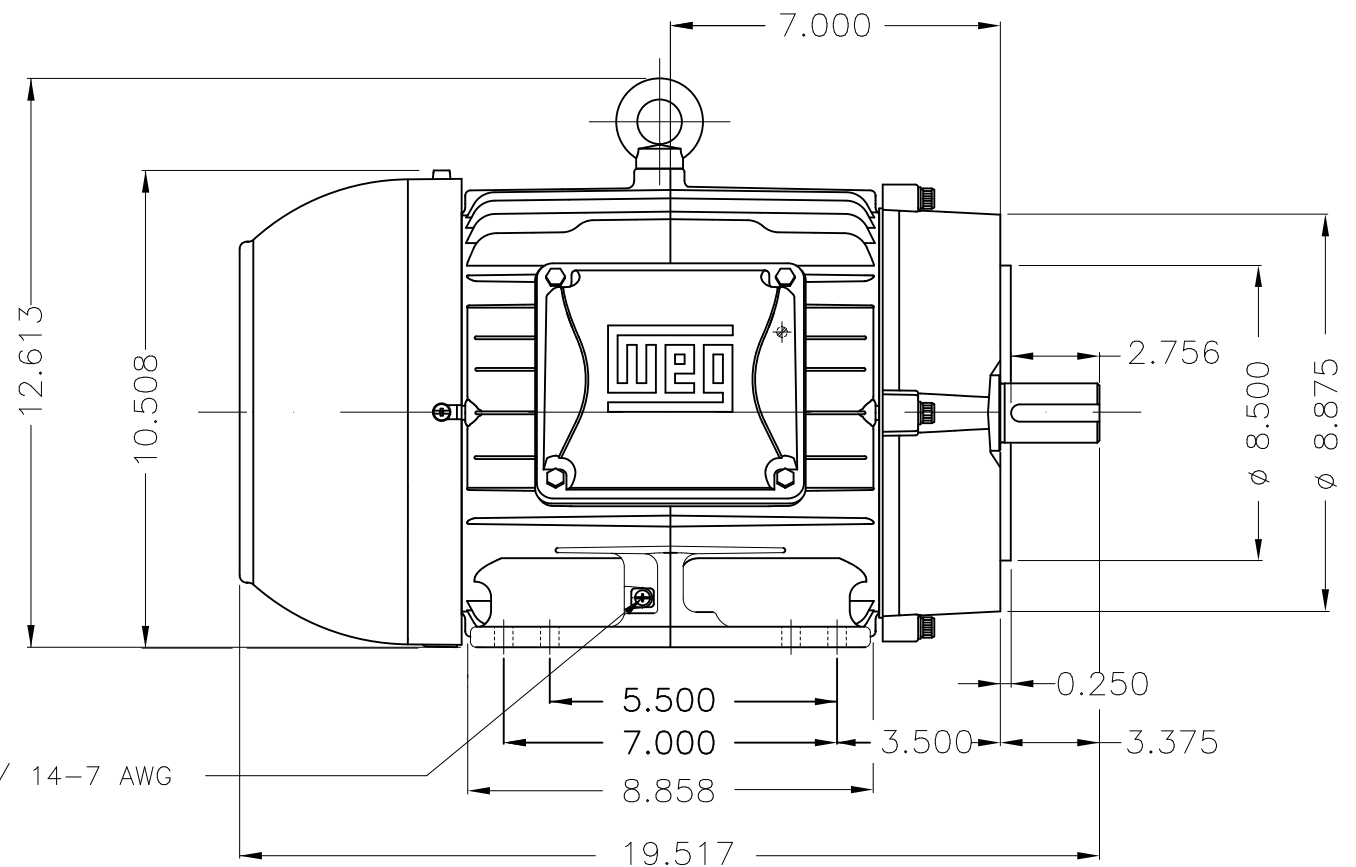


Grounding for leads 2-10 mm<sup>2</sup> / 14-7 AWG

Main terminal box

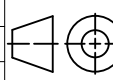


Grounding for leads 2-10 mm<sup>2</sup> / 14-7 AWG



DE Shaft End

Color RAL 5009  
Painting plan 202E  
Mounting B34R(D)

ECM	LOC	SUMMARY OF MODIFICATIONS			EXECUTED	CHECKED	RELEASED	DATE	VER
EXECUTED	USERADMIN	 THREE PH. W22 NEMA P.EFF MOTOR IEEE841 FRAME 213/5TC IP55 TEFC WEG code: 12376408							
CHECKED									
RELEASED									
REL DT	24.07.2017	WMO	Jaragua do Sul	Product Engineering	SHEET	1 / 1			

3 HP 06 Poles 60Hz

A

