

DATE  
Jan. 14, 2009  
CAT. #: VH0754

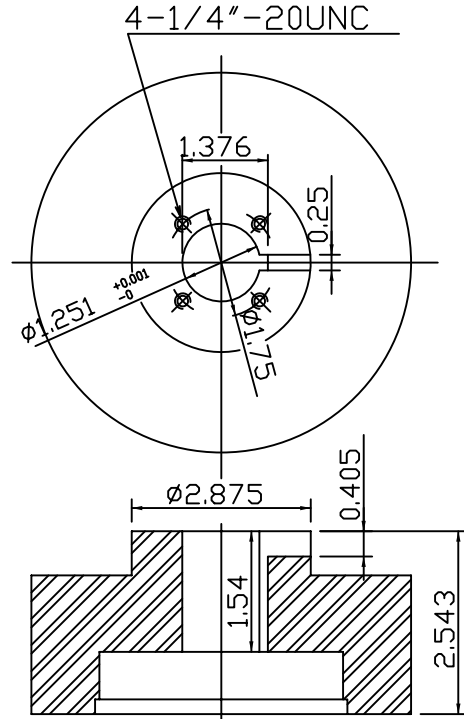
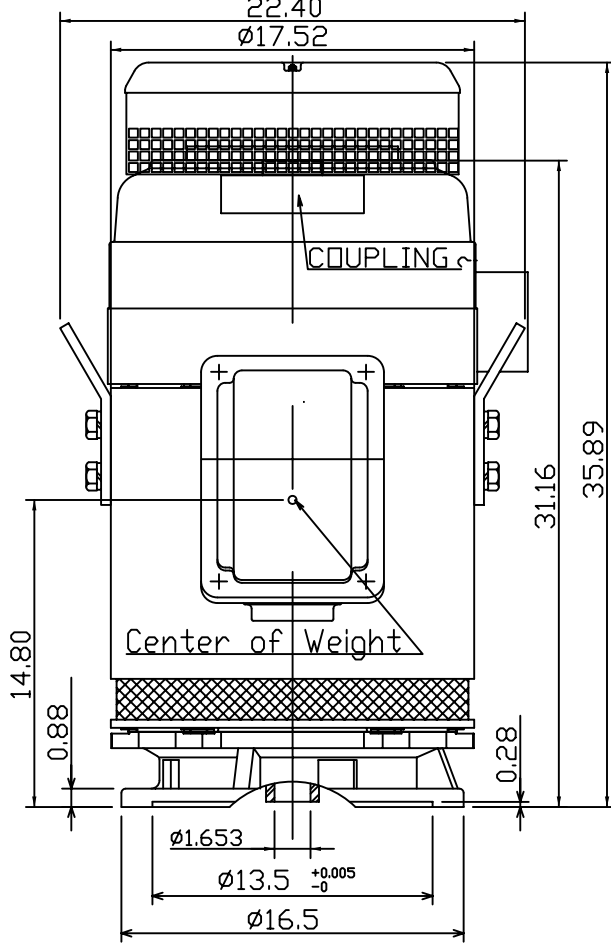
OUTLINE DIMENSIONS  
3-PHASE INDUCTION MOTOR

MOTOR TYPE:  
AMRCYC  
FRAME NO. 365TP

Pole	HP	kW	Hz	VOLT	Syn.Speed r/min(rpm)
4	75	55	60	230/460	1800

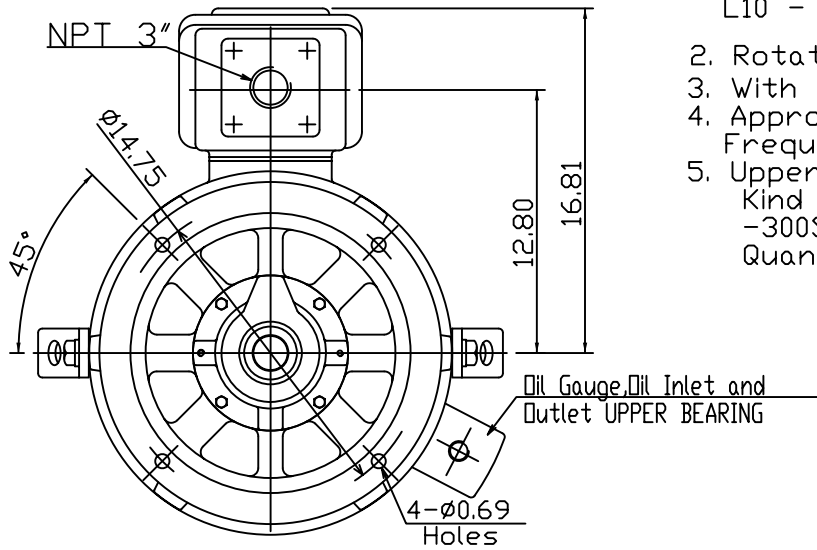
Ins	Rating	Dimension in	Approx Weight	Bearings
F	CONT.	inch	915 lbs	DE: 6313C3 NDE: 7220B

NEMA Weather Protected TYPE I (WP I) Squirrel-cage Rotor.



Coupling Dimension

- Note:
1. Downthrust: 6000lbs.  
L10 - 8800 hours
  2. Rotation: CCW
  3. With N.R.R.
  4. Approx Reed  
Frequencies: 68 Hz
  5. Upper Bearing Oil lube:  
Kind of Oil: Turbine Oil  
-300SSU/100°F ISO VG68  
Quantity: 0.53 Gallons



12.23.08

DWN.	12 12 08
CHKD.	12 23 08
APPD.	12 23 08



DWG NO.  
31057H810121