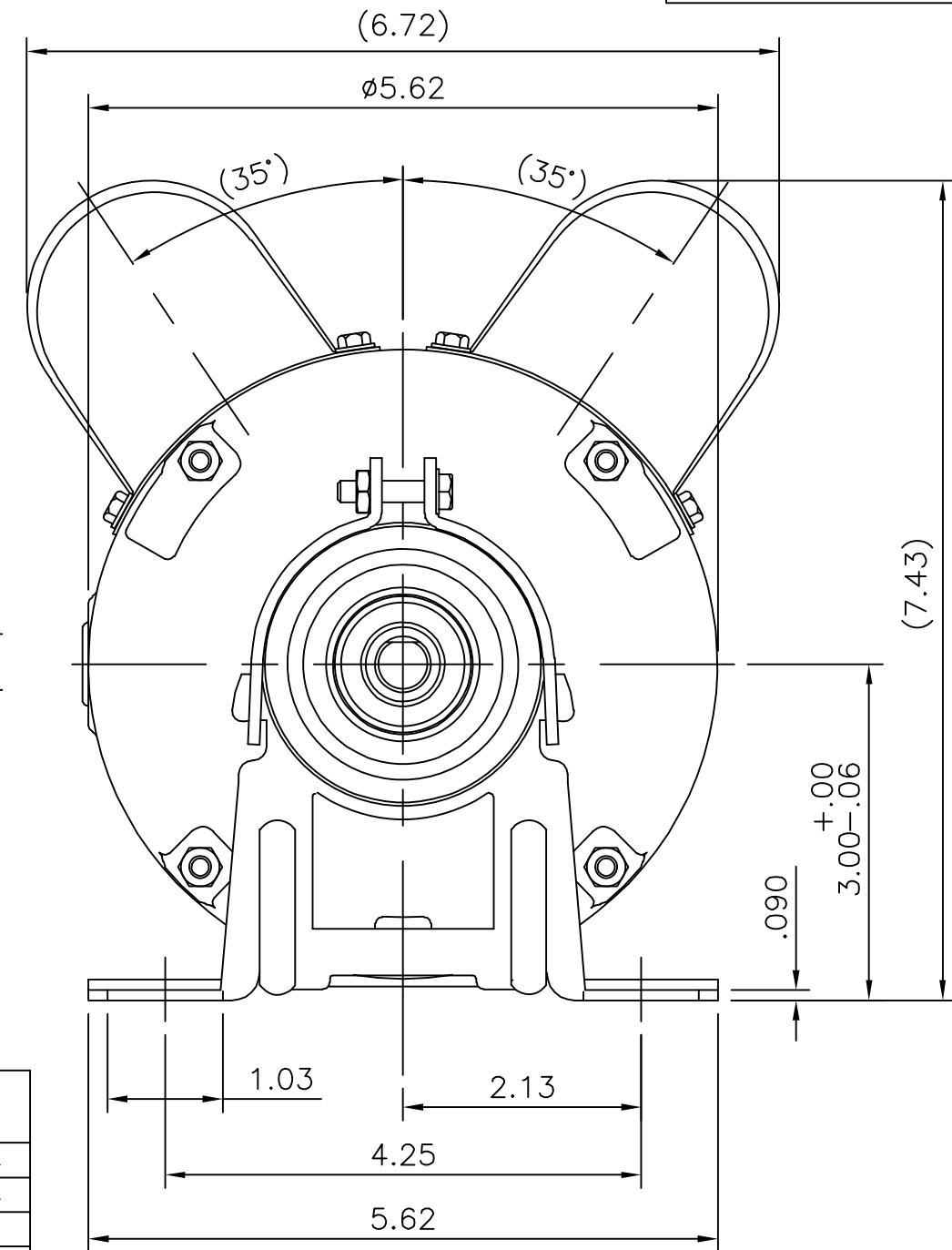
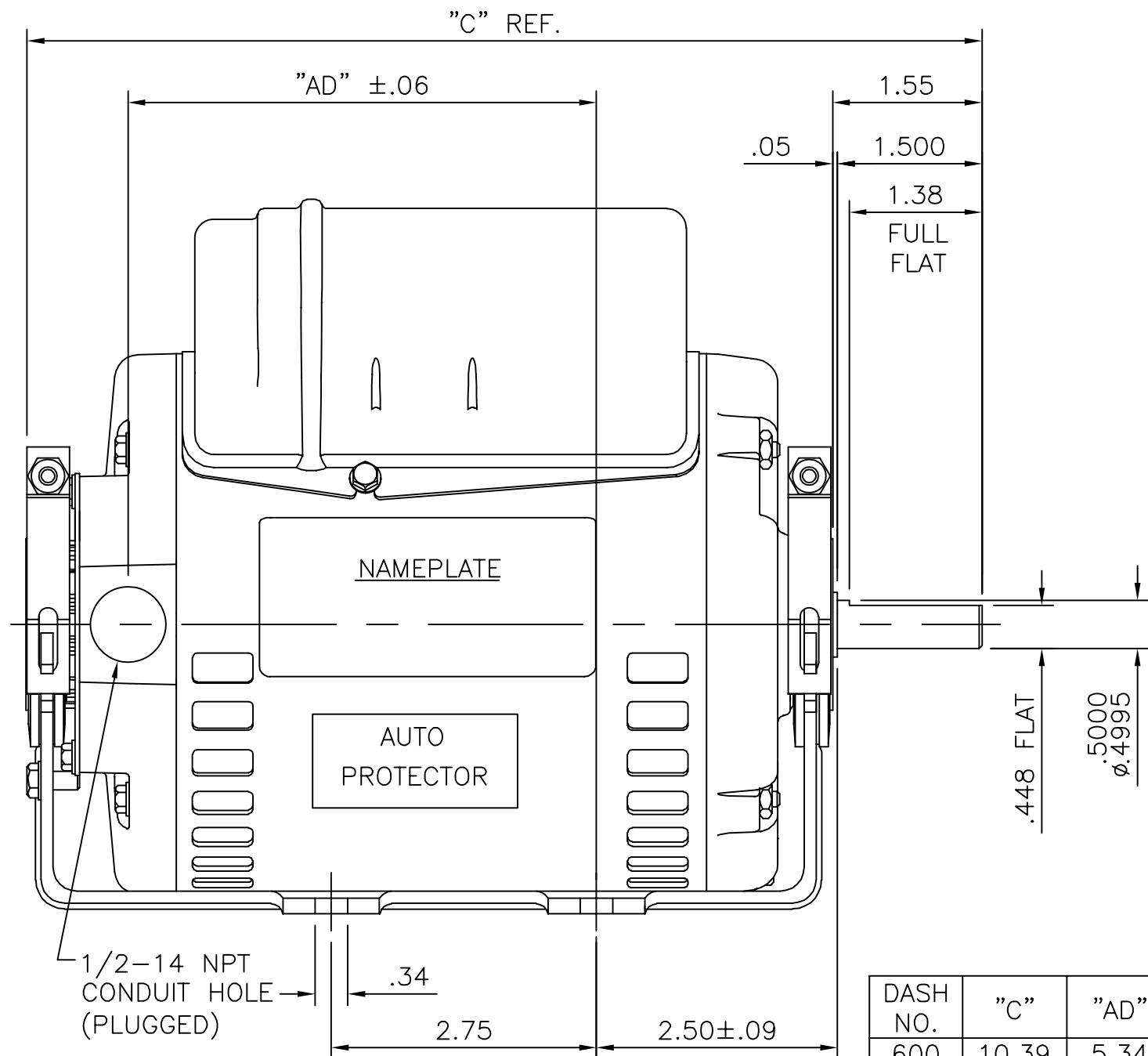


SS404041



DASH NO.	"C"	"AD"
600	10.39	5.34
650	10.89	5.84
700	11.39	6.34
725	11.64	6.59
750	11.89	6.84
775	12.14	7.09

		TOLERANCES UNLESS SPECIFIED		LEESON	ELECTRIC MOTORS GEARMOTORS AND DRIVES	DRAWN KR 10/07/2013
		DEC.	INCHES			CHK SM 10/07/2013
		.X	±.1			APPD
		.XX	±.03			SCALE 1:1
		.XXX	±.005			REF 031761
		.XXXX	±.0005	TITLE OUTLINE - 48 FRAME RESILIENT MOUNT - DRIP PROOF	FMF MU115112	
NO.	REVISION	BY & DATE	CHK	ANG ±1/2'	MAT'L. 1 PHASE	PREV
THIS DRAWING IN DESIGN AND DETAIL IS OUR PROPERTY AND MUST NOT BE USED EXCEPT IN CONNECTION WITH OUR WORK ALL RIGHTS OF DESIGN AND INVENTION ARE RESERVED THIS IS AN ELECTRONICALLY GENERATED DOCUMENT - DO NOT SCALE THIS PRINT			RFP	CAD FILE	SS404041	SIZE A
			DIST			DRAWING NO. SS404041
						REV.