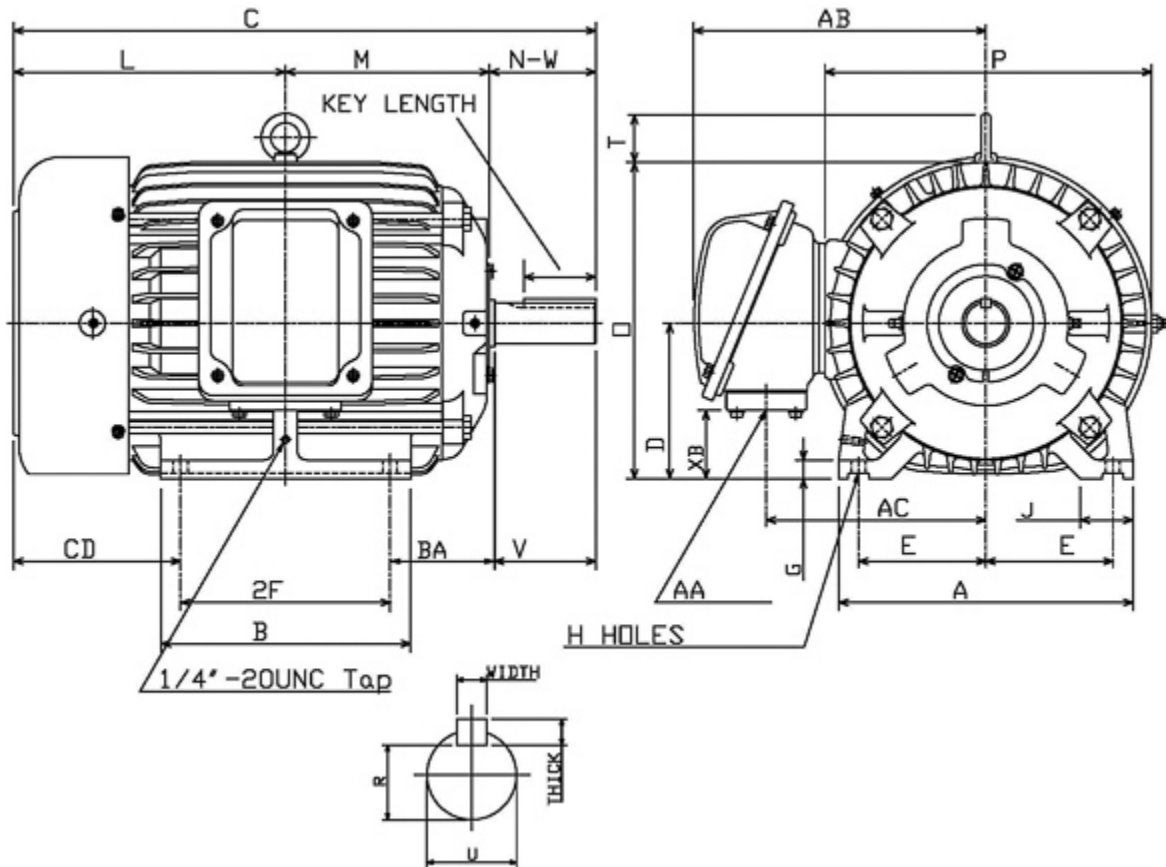


Dimensional Drawing

| | | | | | | | | |
|-------------|--------|-----|------|-----|------------|---------|----|------|
| Catalogue | Model | HP | Pole | kW | Rating | Voltage | Hz | RPM |
| APH7/54-841 | AEHH8B | 7.5 | 4 | 5.6 | Continuous | 460 V | 60 | 1800 |



| Frame Size | Mounting | | | | | A | B | C | CD | D | |
|------------------|----------|------|----------|---------|--------------------|-------------|------------|-------|------------------------------|------------|---------|
| | E | 2F | 2F2 | H | BA | | | | | | |
| 213T | 4.25 | 5.5 | | 0.41 | 3.5 | 9.85 | 6.89 | 18.26 | | 5.25 | |
| G | J | K | L | M | O | P | T | Key | | | Keyseat |
| 0.7 | 1.75 | | 8.63 | 6.1 | 10.62 | 11.1 | 1.65 | Width | Thick | Length | R |
| | | | | | | | | 0.312 | 0.312 | 2.41 | 1.201 |
| Terminal Housing | | | Aux Box | | | C/D Flange | | | | | |
| AA | AB | AC | XB | AE | AX | BB | AH | AK | BD | AJ | BF |
| NPT1" | 9.78 | 7.34 | 2.34 | | | | | | | | |
| Shaft Extension | | | Bearings | | Approx. Weight Lbs | SPL dBA/3ft | Ins. Class | S.F. | Drive Method | Dimensions | |
| N-W | U | V | DE | NDE | | | | | | | |
| 3.38 | 1.375 | 3.3 | 6308ZC3 | 6306ZC3 | 174 | 60 | F | 1.15 | Direct Coupling / Belt Drive | Inches | |

Technical Data Sheet

Motor Type: AEHH8B

Catalogue No: APH7/54-841

Nameplate Information

| | | | | | | |
|-----------|------------|----------------|-------------|-------------|--------------|----------------|
| HP | Pole | RPM | Frame | Voltage | Hz | Phase |
| 7.5 | 4 | 1755 | 213T | 460 | 60 | 3 |
| Enclosure | Ins. Class | Service Factor | Time Rating | NEMA Design | Rated Amb. | Rated Altitude |
| TEFC | F | 1.15 | Continuous | B | -40 to 40 °C | <3300 ft |

Typical Performance

| Efficiency (%) | | | | Power Factor (%) | | |
|-------------------|-----------------------------|---------------------------------|--------------------------------------|---------------------|-----------|--------------------------------|
| Full Load | | 3/4 Load | 1/2 Load | Full Load | 3/4 Load | 1/2 Load |
| Nom. | Min. | | | | | |
| 91.7 | 90.2 | 91.0 | 89.5 | 86.5 | 82.0 | 72.0 |
| Torque | | | | Current (A) | | |
| Full Load (lb-ft) | Locked Rotor (% FLT) | Pull Up (% FLT) | Break Down (% FLT) | No Load | Full Load | Locked Rotor |
| 22.44 | 250 | 155 | 270 | 2.8 | 8.9 | 64 |
| NEMA KVA Code | Inertia (WR ²) | | | Safe Stall Time (s) | | Noise Level Sound Press. dB(A) |
| | Rotor (lb-ft ²) | NEMA Load (lb-ft ²) | Max. Allowable (lb-ft ²) | Cold | Hot | |
| H | 0.848 | 39 | 110 | 29 | 20 | 60 |

VFD Duty Information

| Speed Range | | | VFD | | S.F. |
|-----------------|-----------------|----------------|---------|--------------|----------|
| Constant Torque | Variable Torque | Constant Power | Carrier | Type | |
| 6-60Hz | 3-60Hz | 60-120Hz | ≤ 5 kHz | VPWM or CPWM | 1.0 Only |

Additional Information

| Bearings | | Approx. Weight |
|----------|---------|----------------|
| DE | NDE | lbs |
| 6308ZC3 | 6306ZC3 | 174 |

Hazardous Locations Information

| CSA Certified | |
|---|-----------|
| Class I, Div 2, Groups B, C & D | |
| Class I, Zone 2, Groups IIB+H2, IIB & IIA | |
| Temp Code (Sinewave / VFD) | T3C / T3B |