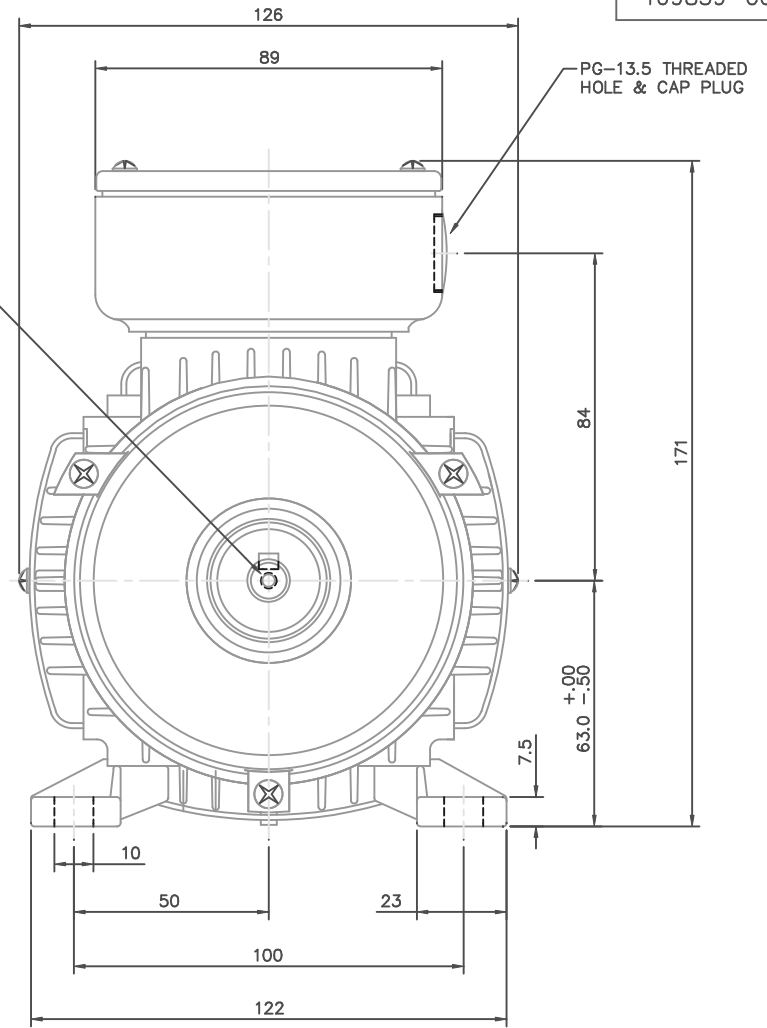


M4-.70 x 10MM DEEP  
R.H. THREADED SHAFT



		TOLERANCES UNLESS SPECIFIED		LEESON	ELECTRIC MOTORS GEARMOTORS AND DRIVES	DRAWN			
		DEC.	METRIC			ADS 01/18/02			
		.X	±2.5			CHK			
		.XX	±.76	TITLE	METRIC MOTOR OUTLINE, IMB3 IEC-63 FRAME RIGID MOUNT	APPD			
		.XXX	±.127	MAT'L	ALUMINUM	SCALE			
		.XXXX	±.0127	FINISH		1=1.25			
NO.	REVISION	BY & DATE	CHK	ANG	±1/2'	FPM	LEESON STOCK		
THIS DRAWING IN DESIGN AND DETAIL IS OUR PROPERTY AND MUST NOT BE USED EXCEPT IN CONNECTION WITH OUR WORK. ALL RIGHTS OF DESIGN AND INVENTION ARE RESERVED. THIS IS AN ELECTRONICALLY GENERATED DOCUMENT - DO NOT SCALE THIS PRINT				RFP	CAD FILE	16985900	SIZE	DRAWING NO.	REV.
			DIST				B	169859-00	