

Product Information Packet

November 9, 2016

Data shown is for the current revision model #. Ensure your nameplate model # matches.

Model Number:	5KS213SAA100D
Catalog Number:	M9949
Instruction Manual:	GEI-56128
Connection Diagram:	GEM2034E-FIG1
Outline Drawing:	4002B5821PBP5316

Accessory Connection Diagrams			
Bearing Thermocouple:	None	Heater:	None
RTD:	None	Thermistor:	None
Thermostat:	None	Winding Thermocouple:	None
Bearing RTD:	None		

Table of Contents

Specification	01
Performance Characteristics	02
Outline Drawing	03
Connection Drawing(s)	04
Spare parts	05



Marks:

MODEL NUMBER:	5KS213SAA100D	Estimated Weight:	200 Lbs
Outline Drawing:	4002B5821PBP5316	Time Rating:	CONT
Connection Diagram:	GEM2034E-FIG1	Enclosure:	TEFC
Instruction Book:	GEI-56128	Encl Construction:	X\$D
Design Code:	21BD0074AA	Ambient Max(°C):	40
Type:	KS	Alt Ambient Max(°C):	65
Frame:	213TC	Insulation Class:	H
Phases:	3	NEMA Design:	B
Poles:	2	Nominal Efficiency:	89.5 %
Output Power:	7.5HP 5.6KW	Guaranteed Efficiency:	88.5
RPM:	3530	3/4 Load Efficiency:	90.1
Voltage:	460	KVA Code:	H
Hertz:	60	Max KVAR:	2.1
Amps - FL:	9.0	Power Factor:	87.5
Service Factor:	1.25	Bearing - DE:	6309ZC3
Alt Service Factor:	1.00	Bearing - ODE:	6208ZC3

Enclosure is Totally Enclosed Fan-Cooled

Stamped Nameplate Notes:

SF AMPS 11.2
 STAMP NP249A5564P051 AS BELOW:
 MODEL:5KS213SAA100D S/N: XXX
 CSA CERTIFIED CSA09.2216219 FOR EX NA IIC 200C GC
 CL 1 ZONE2 AEX NA IIC 200C;CL 1 DIV2 GRP ABCD 200C
 IN -25C <= AMB <= 40C, 1.0 SF ON SINE-WAVE PWR
 SURF TEMP 215C AT 1.25SF ON SINE-WAVE PWR
 OR 200C VT OR 200C CT OR 200C CHP PWM CONTROL
 ALTERNATE RATING FOR PWM CONTROL 1.0SF 40C AMB
 VT 0 - 60 HZ, CT 3-60 HZ, CHP 60-90 HZ.

Additional Information:

2P - T EXTN
 STANDARD FLOOR MOUNT
 C/BOX 55 CU IN-1.00 NPT
 F1 CONDUIT BOX MOUNTING
 "C" FACE AT DE ENDSHIELD
 INPRO SEAL DE ONLY
 OIL RESISTANT SLEEVING ON LEADS

Performance Characteristics

1st Winding 1st Connection

Design: 21BD0074AA

Marks:

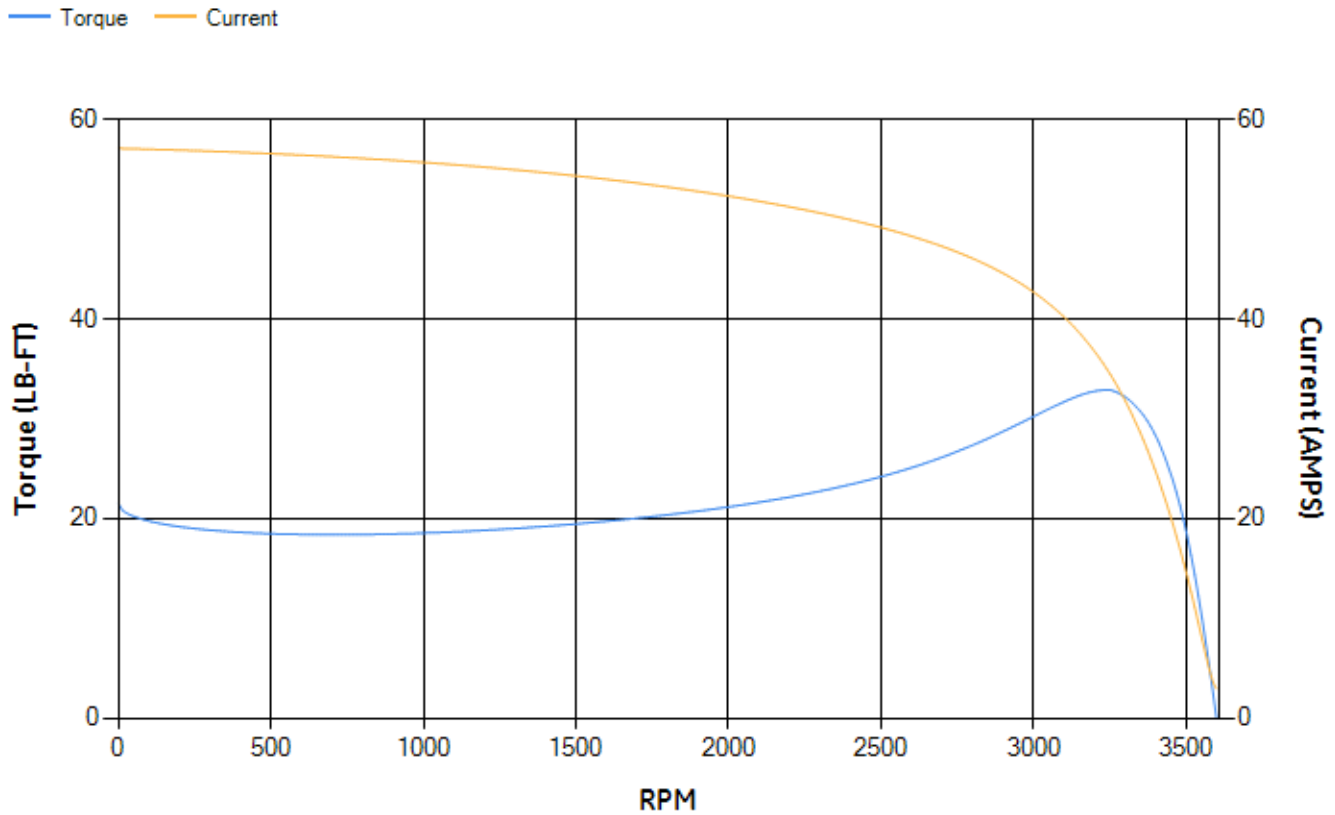
LOAD %	125.0	115.0	100.0	75.0	50.0	25.0	0.0
% EFF	88.42	88.94	89.78	90.1	89.36	84.45	0.00
% PF	88.62	88.37	87.57	84.47	76.7	56.43	9.41
AMPS	11.2	10.27	8.92	6.92	5.12	3.68	2.93

TORQ(FL)#FT	11.16	TORQ(LR)%FL	192.83	TORQ(BD)%FL	292.52
AMPS(LR)	57.09	PF AT START	0.36		

This motor is capable of two cold or one hot start with a maximum connected load inertia of 78 Lb-Ft Sq (3.28 Kg-meter Sq)at 100% voltage, where the load torque varies with the square of the speed. Acceleration time with maximum inertia and the above load type is 49 seconds. Safe stall time at 100% voltage is 85 seconds cold, 59 seconds hot. Rotor inertia is 0.31 Lb-Ft Sq (0.01 Kg-meter Sq).

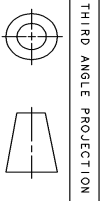
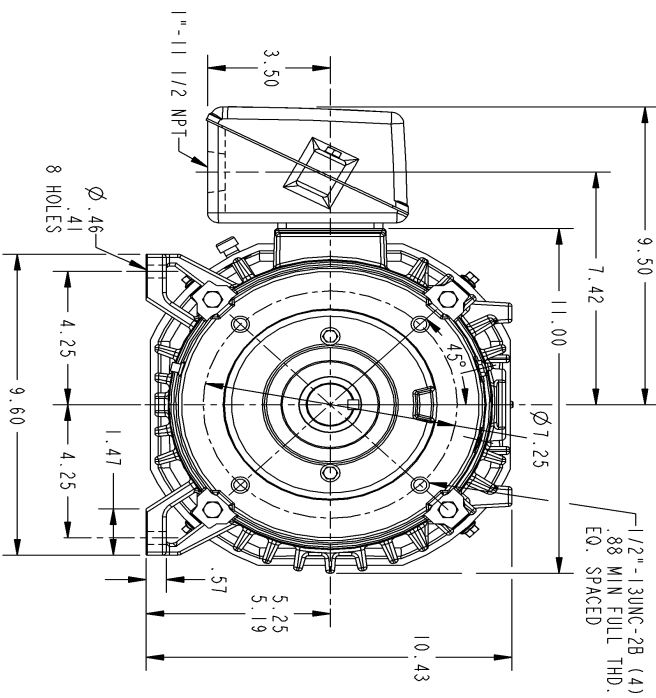
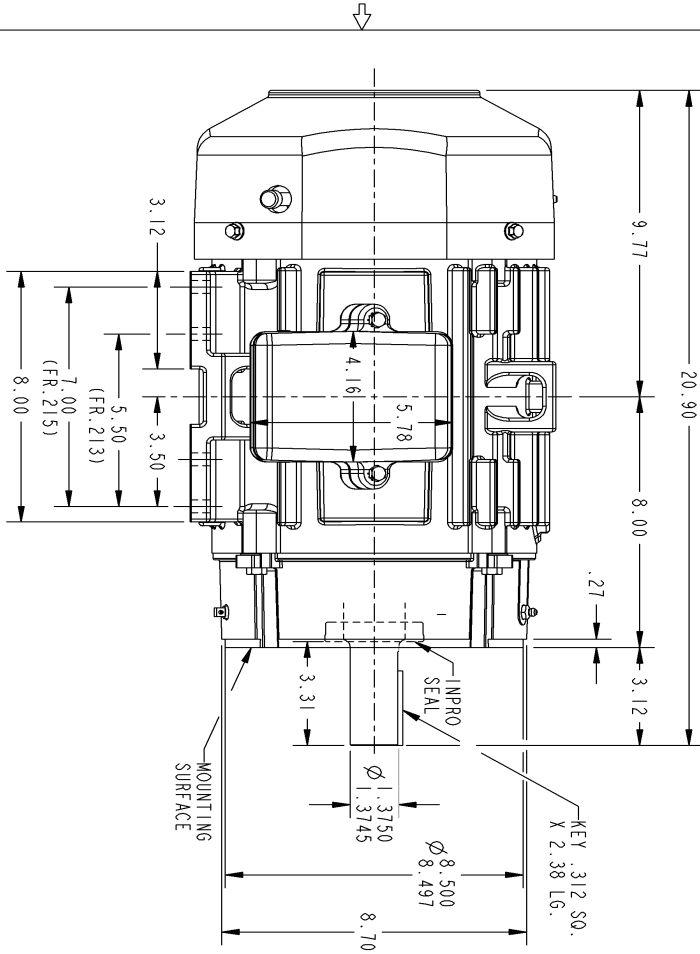
Open Circuit A-C:	0.406	Short Circuit D-C:	0.01
Short Circuit A-C:	0.018	X/R Ratio:	3.858
Stator Slots:	36	Rotor Slots:	26

Speed Torque Current Curve (First Connection, First Speed)



Marks:

NOTE 1: CONDUIT BOX MAY BE ASSEMBLED WITH ENTRANCE UP, DOWN OR TO EITHER SIDE.
 NOTE 2: F1 ASSEMBLY AS SHOWN. F2 ASSEMBLY CONDUIT BOX ON OPPOSITE SIDE FROM SHOWN LOCATION.
 NOTE 3: MOUNTING SURFACES WILL BE SQUARE AND CONCENTRIC WITH SHAFT WITHIN .004 T.I.R.
 NOTE 4: SHAFT RUNOUT NOT TO EXCEED .002 T.I.R.



THIRD ANGLE PROJECTION

SIZE: B
 4002B5821PBP5316

SM: 0
 REV: 0

REV.	DESCRIPTION	DATE	APPROVED

SIGNATURES	DATE	REV
DESIGNER: N PRAJAD	17/05/06	0
CHECKED: RAVI KUMAR	17/05/06	
ISSUED: N PRAJAD	17/05/06	
APPLIED PRACTICES		

GE Industrial Systems
GENERAL ELECTRIC COMPANY
 Fort Wayne, Indiana

INDUCTION MOTOR OUTLINE
 "C" FACE AT DE WITH INPROSEAL
 FME: KS213TC "C" FACE (850" RABBIT)

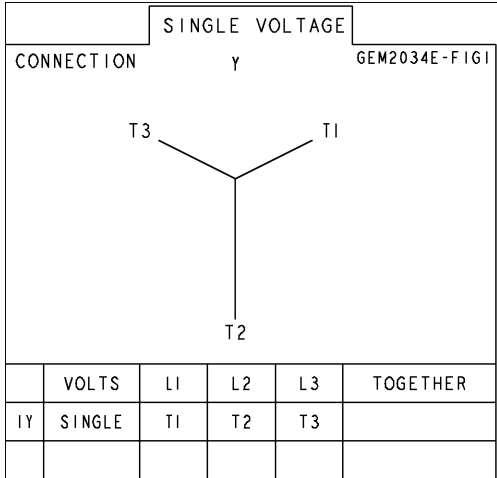
SIZE: B
 4002B5821PBP5316
 REV: 0

SCALE: 0.300 REF. NO.: 4002B5821PBP5301 SHEET 1 OF 1

DISTRIBUTION: PMP-18K15

Marks:

Connection Diagram
GEM2034E-FIG1



End shield Assembly		
Part Description	DE Side Part#	ODE Side Part#
End Shield	128D6006PK1	4004D5282SJ1
Bearing	235A2607AA01	235A2603AA01
Slinger/Inproseal	235A4575GC6	149C4399G01

Fan & Fan Cover Assembly	
Part Description	Part#
Fan	159C6704G01
Fan Cover	4003C5787PA1

Conduit & Accessories Box Assembly	
Part Description	Part#
Conduit Box	4002B5721PA-G01

Mechanical Accessories	
Part Description	Part#
Brake	
Tachometer	