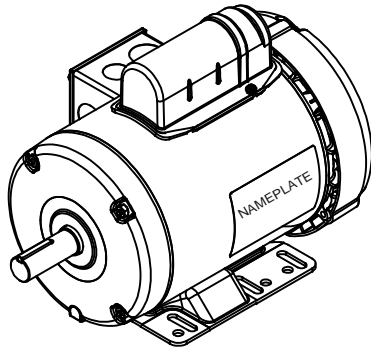
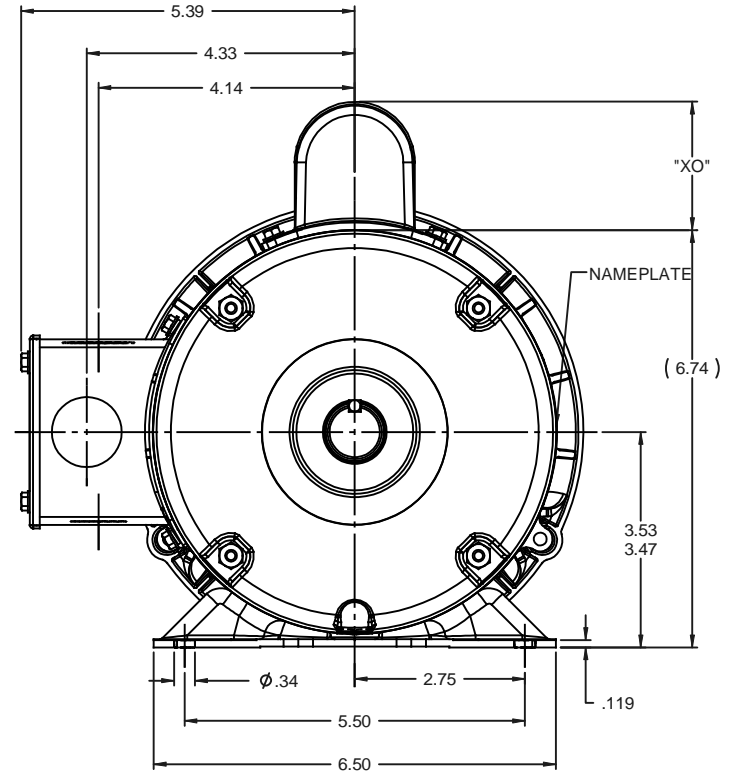
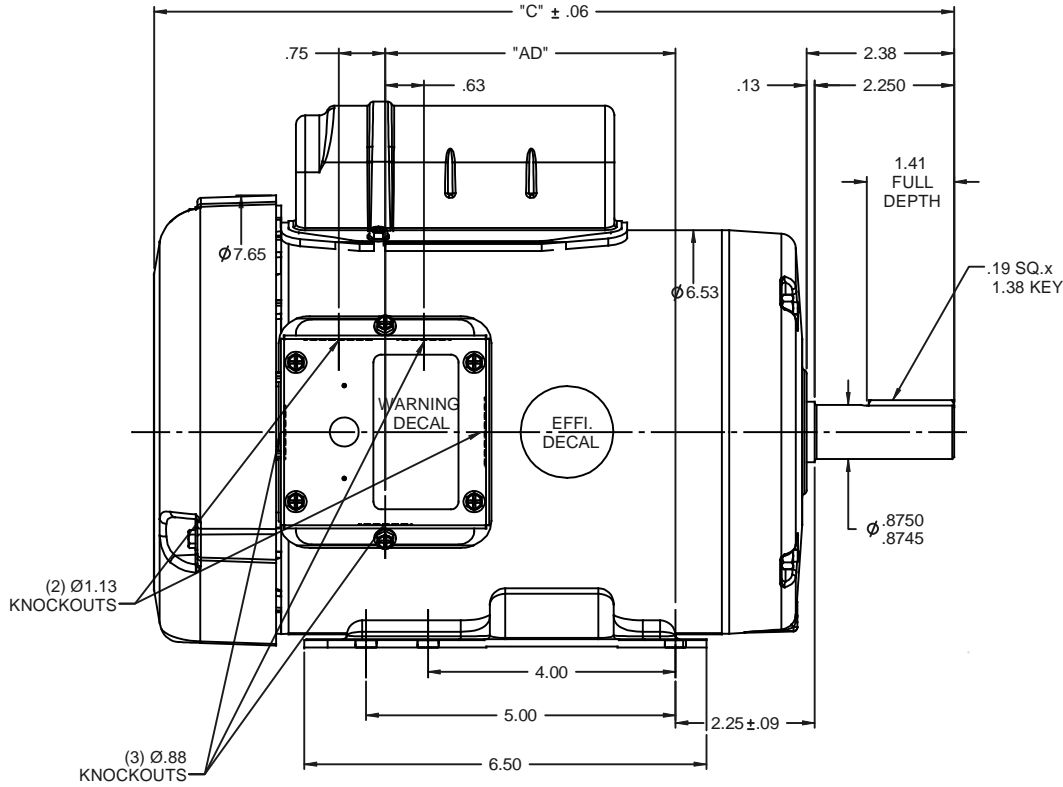


RBC PROPRIETARY AND CONFIDENTIAL INFORMATION  
 This document is the property of REGAL BELOIT CORPORATION ("RBC") including its subsidiaries and divisions and contains proprietary information of RBC. This document is loaned on the express condition that neither it nor the information contained therein shall be disclosed to others without the express written consent of RBC, and that the information shall be used by the recipient only as approved expressly by RBC. This document shall be returned to RBC upon its request. This document may be subject to certain restrictions under U.S. export control laws and regulations.



DASH NO.	"C"	"AD"	CAP. DASH	"XO"
700	12.93	4.69	A	1.54
750	13.43	5.19	B	2.01
800	13.93	5.69	C	2.25
850	14.43	6.19		

NOTE:  
 1) GASKETS THROUGHOUT

TOLERANCES UNLESS SPECIFIED		LEESON ELECTRIC MOTORS GEARMOTORS AND DRIVES		DRAWN GRB 07/21/08	
DEC	INCHES			CHK DJ 07/21/08	
x	±.1			APPR	
.xx	±.03	TITLE OUTLINE - 140T FRAME		SCALE 1:2	
.xxx	±.005	TEFC - RIGID		REF 028803	
.xxx	±.0005	MATL		FMF 120025.00	
01	ADDED "XO" TABLE	DJ	9/4/2008		
REVISION		BY & DATE	CHK ANG ±1/2°	FINISH GENERAL PURPOSE	
THIRD ANGLE PROJECTION		RFP 07/21/08	PREV	SIZE B	DRAWING NO 028855
		NETWORK FILE NAME 028855			REV 01