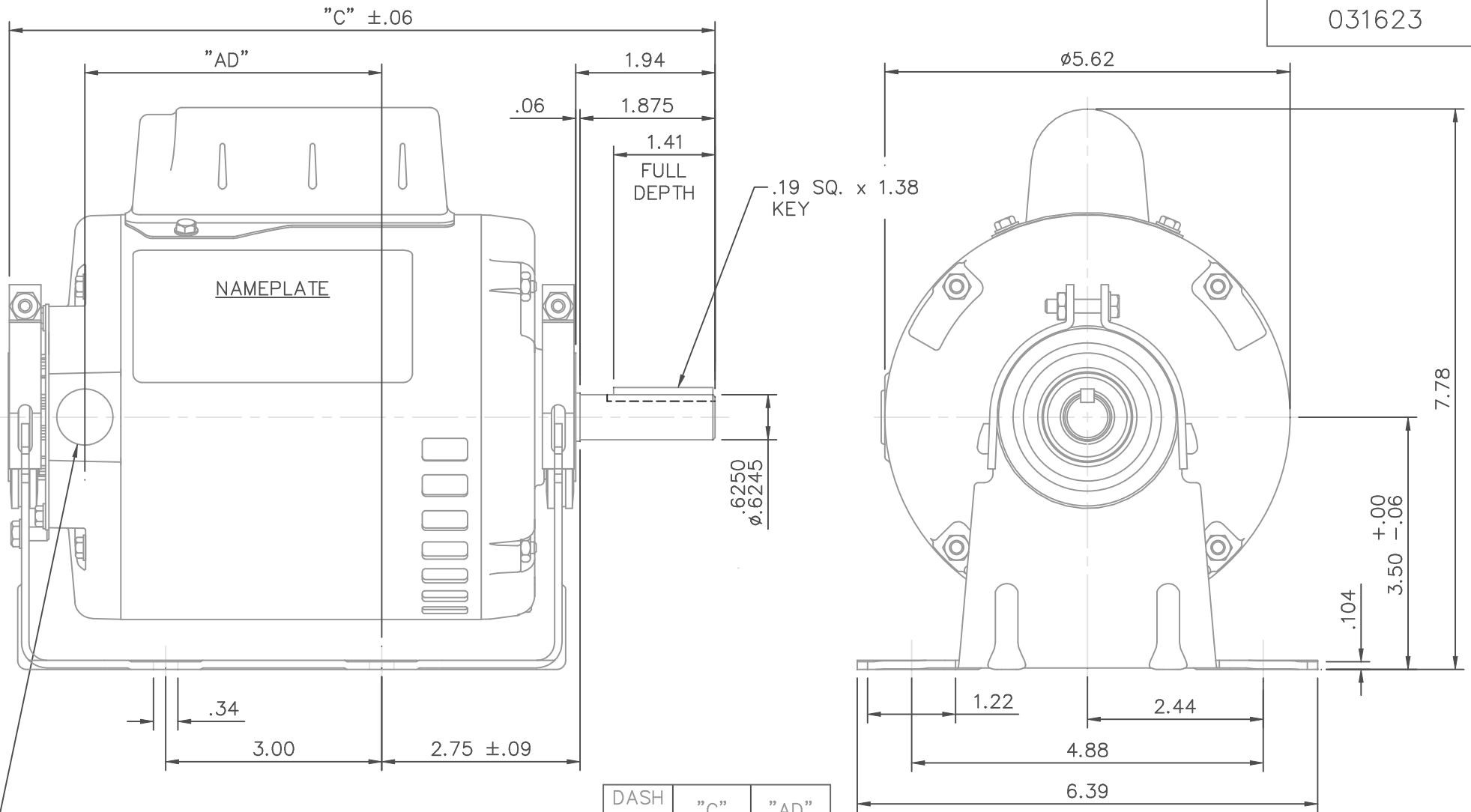


031623



DASH NO.	"C"	"AD"
500	9.81	4.12
550	10.31	4.62
600	10.81	5.12
650	11.31	5.62

TOLERANCES UNLESS OTHERWISE SPECIFIED

DEC.	INCHES	METRIC
.X	±.1	±2.5
.XX	±.03	±.76
.XXX	±.005	±.127
CH'K'D. .XXXX	±.0005	±.0127

LEESON ELECTRIC CORPORATION

DRAWN PG 5/24/01 TITLE OUTLINE - S56 FRAME
 APPR. RESILIENT MOUNT - DRIP PROOF
 R.F.P. MAT'L. 1 PHASE

NO.	REVISION	BY & DATE	CH'K'D.	.XXXX	±.0005	±.0127

SCALE 1=2
 REF. 030485 FINISH
 FMF 101611 REV. DRAWING NO.
 031623

THIS DRAWING IN DESIGN AND DETAIL IS OUR PROPERTY AND MUST NOT BE USED EXCEPT IN CONNECTION WITH OUR WORK ALL RIGHTS OF DESIGN AND INVENTION ARE RESERVED THIS IS AN ELECTRONICALLY GENERATED DOCUMENT - DO NOT SCALE THIS PRINT