

Product Information Packet

May 26, 2017

Data shown is for the current revision model #. Ensure your nameplate model # matches.

Model Number:	5KAF324SAA322A
Catalog Number:	M9328
Instruction Manual:	GEI-56128
Connection Diagram:	GEM2034E-FIG9
Outline Drawing:	239C5000AA

Accessory Connection Diagrams			
Bearing Thermocouple:	None	Heater:	None
RTD:	None	Thermistor:	None
Thermostat:	3027JE-2A	Winding Thermocouple:	None
Bearing RTD:	None		

Table of Contents	
Specification	01
Performance Characteristics	02
Outline Drawing	03
Connection Drawing(s)	04

Marks:

MODEL NUMBER:	5KAF324SAA322A	Service Factor:	1.15
Outline Drawing:	239C5000AA	Alt Service Factor:	--
Connection Diagram:	GEM2034E-FIG9	ASD Type:	PWM
Instruction Book:	GEI-56128	Time Rating:	CONT
Design Code:	32BD3089A	Enclosure:	TEFC
Type:	KAF	Encl Construction:	A\$D
Frame:	324T	Ambient Max (°C):	40
Phases:	3	Alt Ambient Max(°C):	--
Poles:	6	Insulation Class:	H
Output Power:	25HP 18.5KW	NEMA Design:	-
Output Power (2):	25HP 18.5KW	Nominal Efficiency:	93.0 %
Output Power (3):	0HP 0KW	Guaranteed Efficiency:	91.7 %
RPM:	1774	3/4 Load Efficiency:	93.3 %
RPM (2):	1185	KVA Code:	G
RPM (3):	0	Max KVAR:	11.1
Voltage:	230/460	Power Factor:	77.5
Voltage (2):	230/460	Service Factor SINE:	1
Voltage (3):	8.0/16.0	Service Factor ASD:	1
Hertz:	90	Min Supply Wires:	75 C
Hertz – 2:	60	IP:	55
Hertz – 3:	0.8	Vibration Limit:	0.04 mm/s
Amps – FL:	60.4/30.2	Bearing Lubrication:	NULL
Amps – FL- 2:	65.0/32.5	Bearing - DE:	6312ZC3
Amps - FL- 3:	65.0/32.5	Bearing - ODE:	6312ZC3
Speed Range RPM:	1-1185	Estimated Weight:	640 Lbs
Const HP RPM:	1185-1774		

Enclosure is Totally Enclosed Fan-Cooled

Stamped Nameplate Notes:

ALTERNATE RATING FOR PWM CONTROL: 1.0SF 40C AMB
 INVERTER DUTY CONSTANT TORQUE RANGE: 0-60HZ
 THERMOSTAT LEADS TB1-TB2 TRIP
 IP 55
 CLASS H INS WITH CLASS F RISE AT 1.00 SF,
 INVERTER DUTY PER NEMA MG1 PART31 WITH PWM CONTROL

Additional Information:

6P - T EXTN
 346 CU IN - 3.00" NPT
 E/S GROUND BOLT MTD ON DE C/BOX SIDE NEAR FOOT
 OIL RESISTANT SLEEVING ON LEADS
 TACH PROVISION MOTOR
 N.C. TRIP TSTAT LDS TO MAIN CONDUIT BOX

F1 MOUNTING
PAINTED ODE ACCESSORY RABBET
SHAFT GROUNDING RING MOUNTED ON DE BRG CAP

Performance Characteristics

1st Winding 1st Connection

Design: 32BD3089A

Marks:

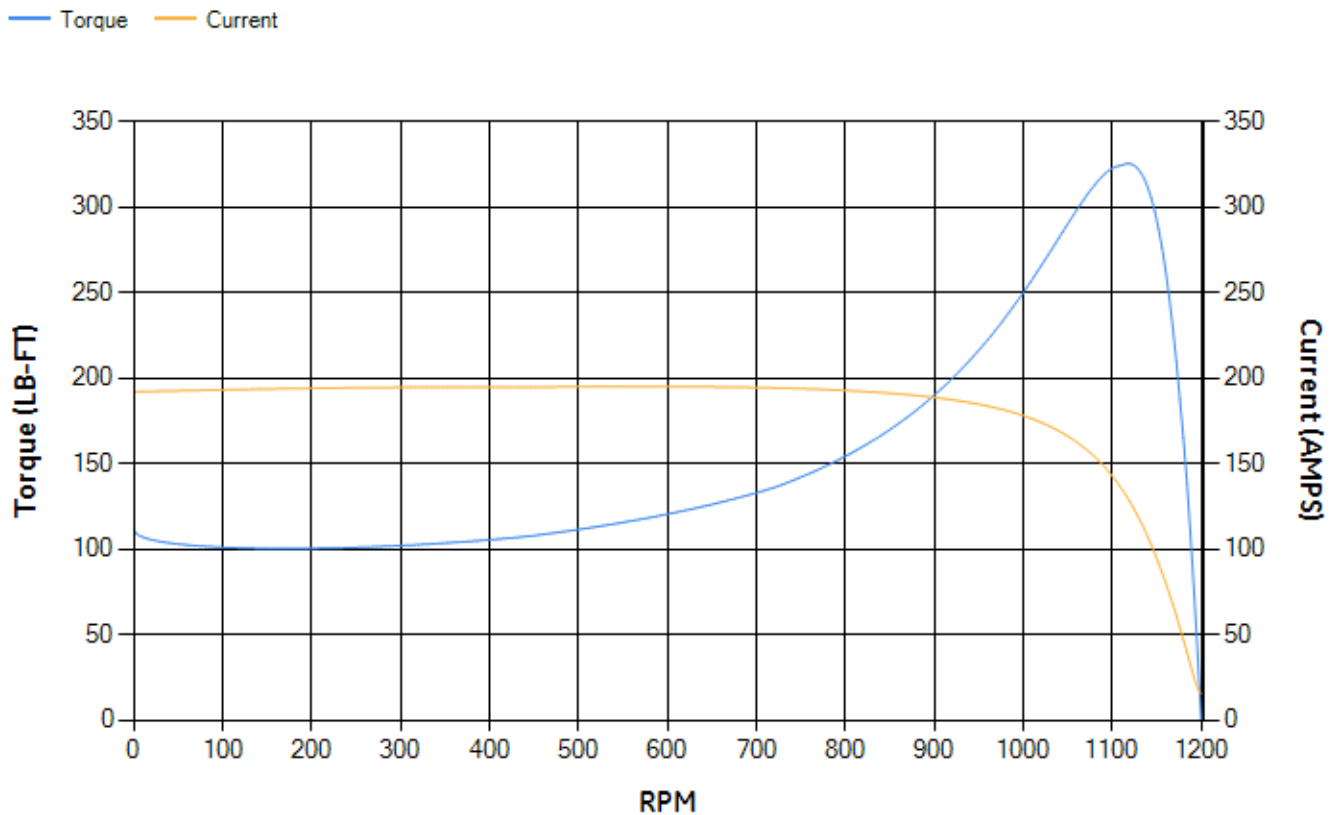
LOAD %	125.0	115.0	100.0	75.0	50.0	25.0	0.0
% EFF	92.28	92.61	93.2	93.3	92.72	89.12	0.00
% PF	80.38	79.51	77.53	71.63	60.04	38.22	3.89
AMPS	39.43	36.54	32.36	26.26	21.02	17.17	15.39

TORQ(FL)#FT	110.89	TORQ(LR)%FL	100.48	TORQ(BD)%FL	291.19
AMPS(LR)	191.85	PF AT START	0.26		

This motor is capable of two cold or one hot start with a maximum connected load inertia of 2265 Lb-Ft Sq (95.36 Kg-meter Sq)at 100% voltage, where the load torque varies with the square of the speed. Acceleration time with maximum inertia and the above load type is 76 seconds. Safe stall time at 100% voltage is 176 seconds cold, 110 seconds hot. Rotor inertia is 8.1 Lb-Ft Sq (0.34 Kg-meter Sq).

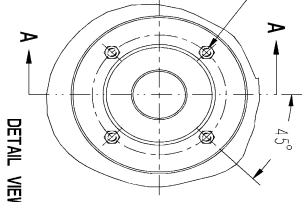
Open Circuit A-C:	0.378	Short Circuit D-C:	0.016
Short Circuit A-C:	0.025	X/R Ratio:	6.07
Stator Slots:	54	Rotor Slots:	40

Speed Torque Current Curve (First Connection, First Speed)

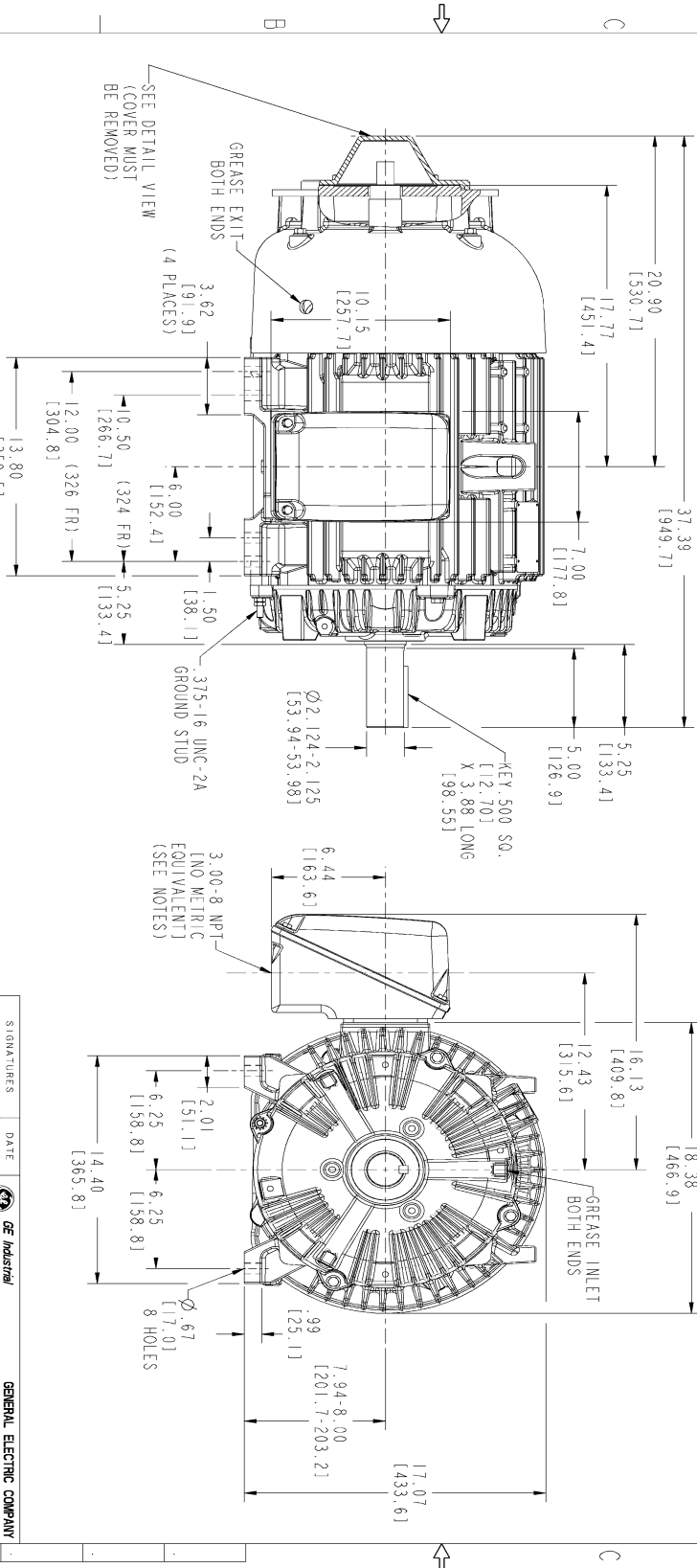
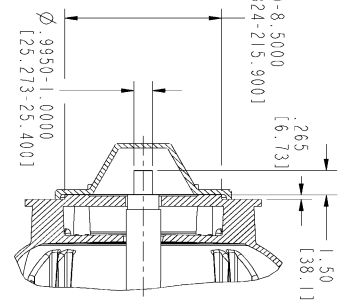


Marks:

C'SINK Ø.500-1.3 UNC-2B
 Ø.500-.530
 X 80°-120°-88
 MIN FULL THREAD
 (4) HOLES EQ. SP.
 ON A Ø7.250 B.C.



SECTION A-A



NOTES :

1. CONDUIT BOX MAY BE PLACED WITH THE ENTRANCE DOWN, UP OR ON EITHER SIDE.
2. F-1 ASM AS SHOWN.
3. F-2 ASM HAS CONDUIT BOX ON OPPOSITE SIDE.
4. BRACKETED DIMENSIONS ARE METRIC (MILLIMETERS).

REV.	DESCRIPTION	DATE	APPROVED
1	ISMIC # 14-0927	11/14/14	VILAY
2	ISMIC # 15-0469	05/15/15	ADINARAYAN

GE Industrial Systems

GENERAL ELECTRIC COMPANY
 Fort Wayne, Indiana

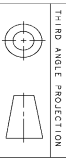
OUTLINE

324/326 T TERC ASD
 346 CU IN CONDUIT BOX, PROV. FOR TACH

SIZE DRAWING: **239C5000AA**

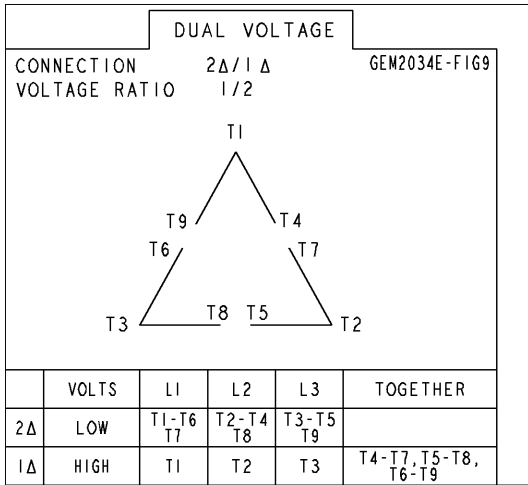
SCALE: 0.220 REF. NO. SHEET 1 OF 2

DISTRIBUTION: MMP



Marks:

Connection Diagram
GEM2034E-FIG9



Thermostat Connection
3027JE-2A

