

DATE
February 18, 2004
CATALOG NO.
DJM0302

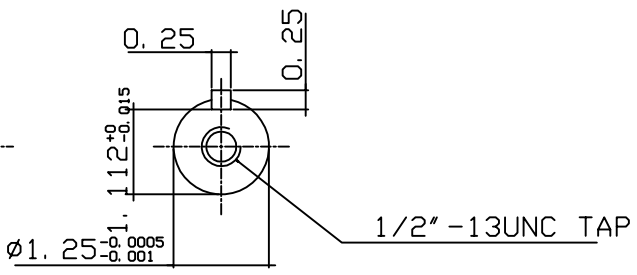
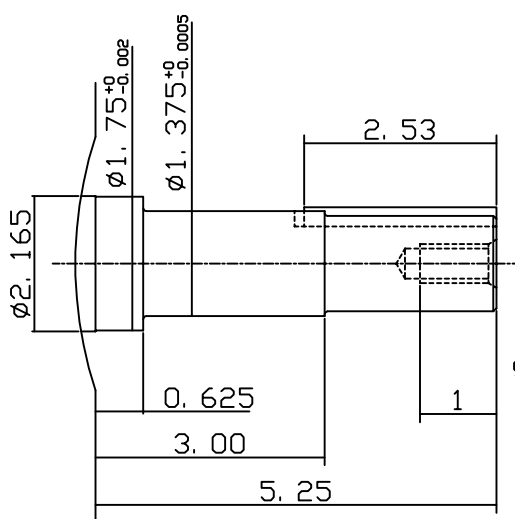
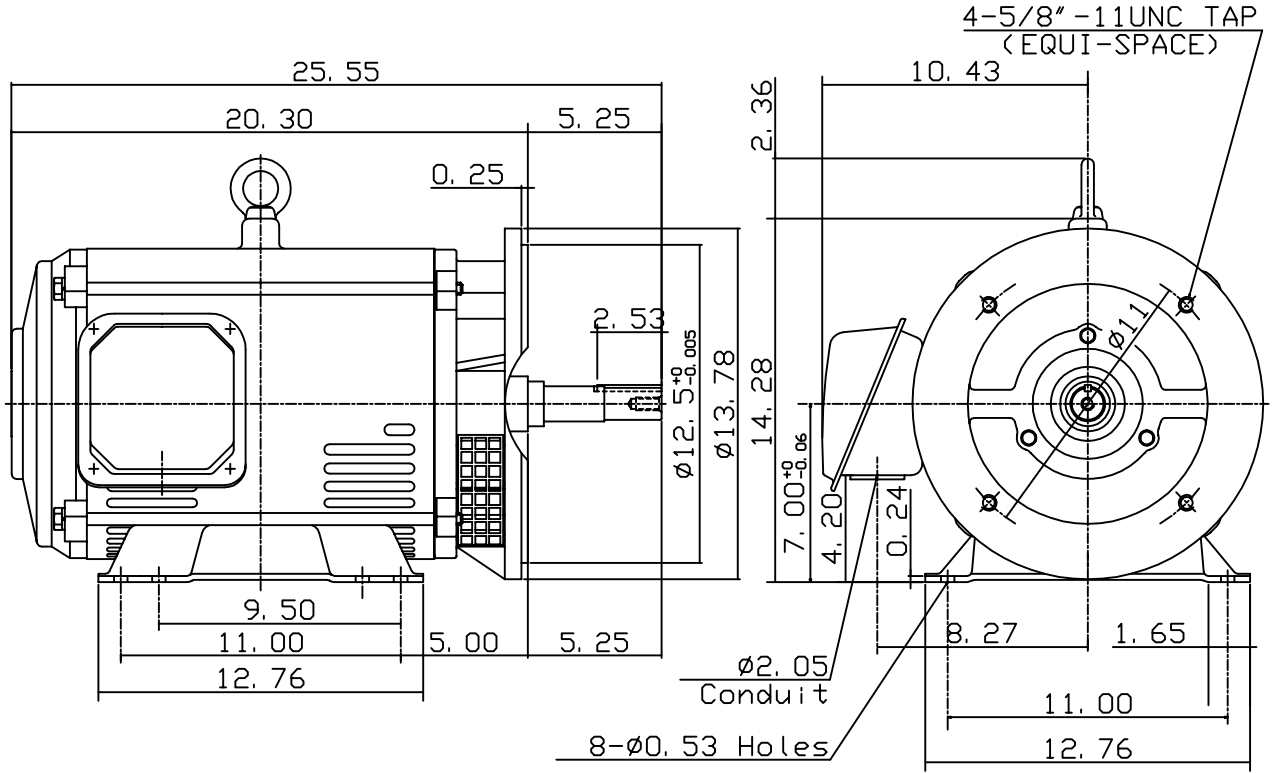
OUTLINE DIMENSIONS
3-PHASE INDUCTION MOTOR

MOTOR TYPE:
ASGAJM
FRAME NO. 284JM

| Pole | HP | kW | Hz | VOLT | Syn. Speed r/min(rpm) |
|------|----|------|----|---------|--------------------------|
| 2 | 30 | 22.4 | 60 | 230/460 | 3600 |

| Ins | Rating | Dimension in | Approx Weight | Bearings |
|-----|--------|--------------|---------------|----------------------------|
| F | CONT. | inches | 294 lbs. | DE: 6311ZZC3 NDE: 6211ZZC3 |

Open Protected Drip-Proof Type, Squirrel-cage Rotor.



| | | |
|-------|-------------|----------|
| DWN. | J. T. HWANG | 04-11-03 |
| CHKD. | J. S. JEAN | 04-11-03 |
| APPD. | Y. B. HUANG | 04-11-03 |



DWG NO.
31049U529530