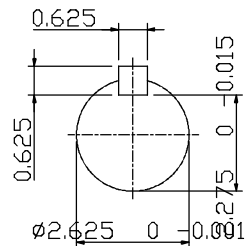
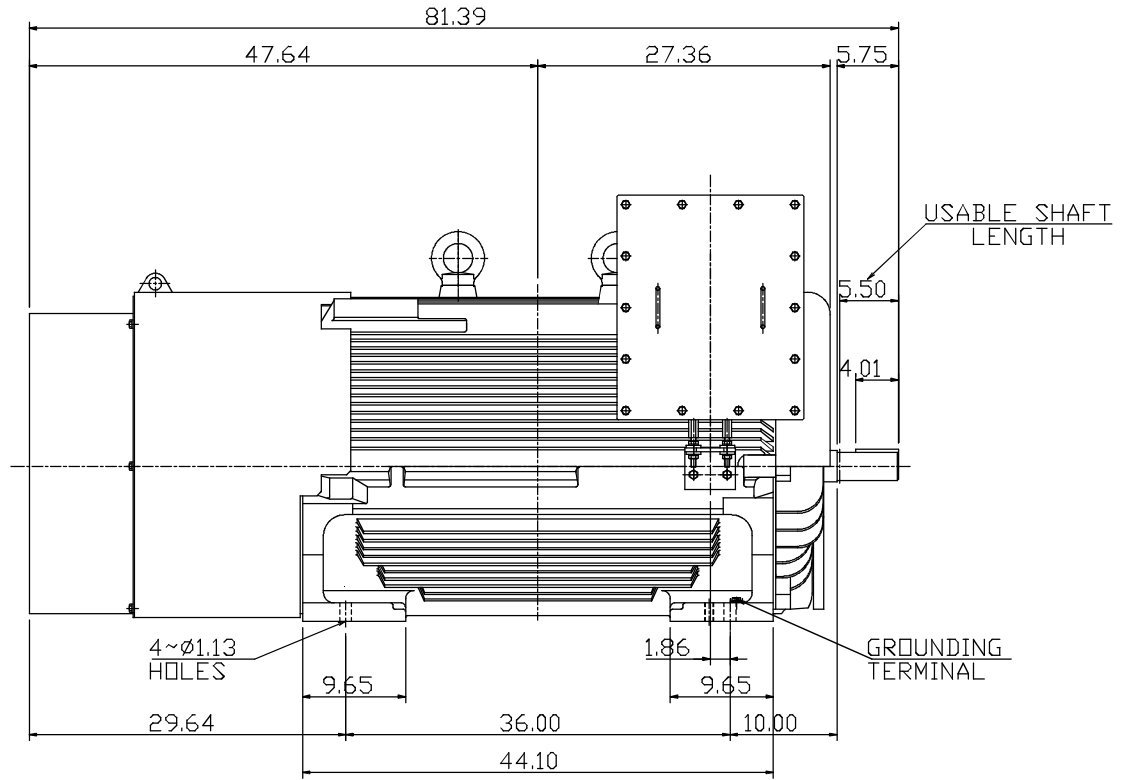
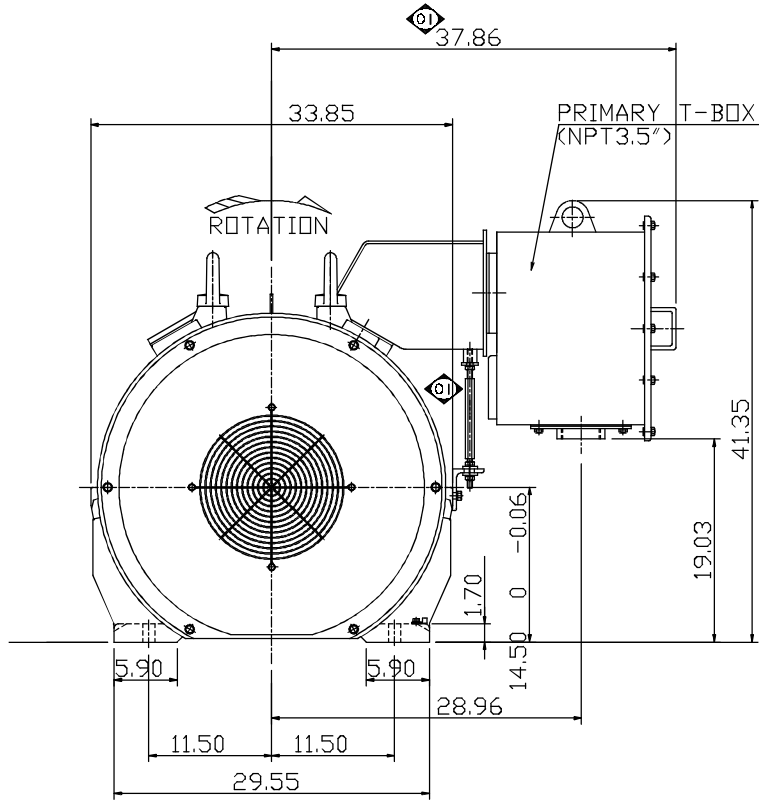


6 5 4 3 2 1

| TYPE | OUTPUT | | POLE | TIME RATING | VOLTAGE V | Hz | SYN.SPEED R.P.M |
|------|--------|-----|------|-------------|-----------|----|-----------------|
| | HP. | KW. | | | | | |
| AEHE | 600 | 448 | 2 | CONT. | 460 | 60 | 3600 |

TOTALLY ENCLOSED FAN-COOLED TYPE, SQUIRREL-CAGE ROTOR



SHAFT END
(ENLARGED VIEW)

- NOTE:
1. DIMENSIONS IN INCH
 2. FRAME NO. 5810A
 3. F CLASS INSULATION, S.F.115
 4. FOR DIRECT FLEXIBLE COUPLING
 5. ENCLOSURE: IP55
 6. BEARING SIZE: DRIVE-END 6315C3
OPP. DRIVE-END 6315M/C3 VL024
 7. MOTOR APPROX. WEIGHT: 6000LBS

| | | |
|-------------------|-------------------------|------------------------------|
| DATE | OUTLINE DIMENSIONS | |
| CATALOG NO. E6002 | 3-PHASE INDUCTION MOTOR | |
| TECO Westinghouse | | DWG NO. REV: 01 4A040G951 |

| | | |
|-------|---------|-------------|
| DWN. | Y.DU | AUG-30-2011 |
| CHKD. | H.HUANG | AUG-30-2011 |
| APPD. | B.LIN | AUG-30-2011 |

6 5 4 3 2 1