

# Product Information Packet

May 26, 2017

Data shown is for the current revision model #. Ensure your nameplate model # matches.

<b>Model Number:</b>	<b>5KS326XAJ5408A</b>
<b>Catalog Number:</b>	<b>V4817</b>
<b>Instruction Manual:</b>	GEK-95351
<b>Connection Diagram:</b>	GEM2034E-FIG7
<b>Outline Drawing:</b>	148CB32INHNBCLA0001

<b>Accessory Connection Diagrams</b>			
<b>Bearing Thermocouple:</b>	None	<b>Heater:</b>	None
<b>RTD:</b>	None	<b>Thermistor:</b>	None
<b>Thermostat:</b>	None	<b>Winding Thermocouple:</b>	None
<b>Bearing RTD:</b>	None		

## Table of Contents

Specification	01
Performance Characteristics	02
Outline Drawing	03
Connection Drawing(s)	04
Spare parts	05



**Marks:**

<b>MODEL NUMBER:</b>	<b>5KS326XAJ5408A</b>	<b>Estimated Weight:</b>	1060 Lbs
<b>Outline Drawing:</b>	148CB32INHNBCLA0001	<b>Time Rating:</b>	CONT
<b>Connection Diagram:</b>	GEM2034E-FIG7	<b>Enclosure:</b>	TEFC
<b>Instruction Book:</b>	GEK-95351	<b>Encl Construction:</b>	841
<b>Design Code:</b>	32BD0112AB	<b>Ambient Max(°C):</b>	40
<b>Type:</b>	KS	<b>Alt Ambient Max(°C):</b>	--
<b>Frame:</b>	L326VP16	<b>Insulation Class:</b>	H
<b>Phases:</b>	3	<b>NEMA Design:</b>	B
<b>Poles:</b>	2	<b>Nominal Efficiency:</b>	93.0 %
<b>Output Power:</b>	50HP 37KW	<b>Guaranteed Efficiency:</b>	91.7
<b>RPM:</b>	3565	<b>3/4 Load Efficiency:</b>	93.7
<b>Voltage:</b>	460	<b>KVA Code:</b>	G
<b>Hertz:</b>	60	<b>Max KVAR:</b>	15.1
<b>Amps - FL:</b>	58.5	<b>Power Factor:</b>	86.0
<b>Service Factor:</b>	1.15	<b>Bearing - DE:</b>	6212C3
<b>Alt Service Factor:</b>	--	<b>Bearing - ODE:</b>	235A2523AD01

**Enclosure is Totally Enclosed Fan-Cooled**

**Stamped Nameplate Notes:**

EXCEPTIONS TO IEEE-STD-841-2009:  
 ALUMINIUM FAN BACK PLATE  
 VERTICAL 841  
 DE BRG 60BC02J30, ODE BRG 100BT02MD00  
 INVERTER DUTY PER NEMA MG1 PART 31  
 ALTERNATE RATING FOR PWM CONTROL:1.0SF 40C AMBIENT  
 VAR TORQUE RANGE 0-60 HZ  
 GE SELF DECLARED CLASS I DIV 2 MOTOR  
 MAX EXPOSED INTERNAL AND EXTERNAL SURFACE  
 TEMPERATURES UNDER USUAL SERVICE CONDITIONS  
 AT 1.00 S.F. DO NOT EXCEED 200 DEG C  
 API 610 12TH EDITION SHAFT DIMENSIONS

**Additional Information:**

2 POLE, VERT SOLID SHAFT HIGH THRUST (1D)  
 PAINTED FRAME ID & SHAFT,  
 FAN COVER INSIDE & ODE E/S OUTSIDE  
 346 CU IN - 3.00" NPT  
 BEARING LIFE 8760 HRS AT 4411 LB THRUST  
 BEARING LIFE 26280 HRS AT 3013 LB THRUST  
 INPRO SEAL LOWER END  
 OIL RESISTANT SLEEVING ON LEADS  
 ROUTINE TEST REPORT AND 5 POINT VIBRATION TEST  
 REPORT INCLUDED IN C/B  
 COPPER WASHER UNDER HEADS OF BEARING CAP BOLTS,  
 APPLY TITE-SEAL (A50CD427A) ON BEARING CAP SCREWS,  
 RABBETS AND PLUG THREADS.

STAINLESS STEEL T-DRAINS.  
FRAME GROUND PAD  
ACTUAL EFFICIENCY = 92.4%  
RCF: 3210 CPM AT C/BOX SIDE, 3510 CPM AT  
90 DEG FROM C/ BOX SIDE  
CG: 17.55 IN FROM P-BASE FACE

**Performance Characteristics**

1st Winding 1st Connection

**Design: 32BD0112AB**

**Marks:**

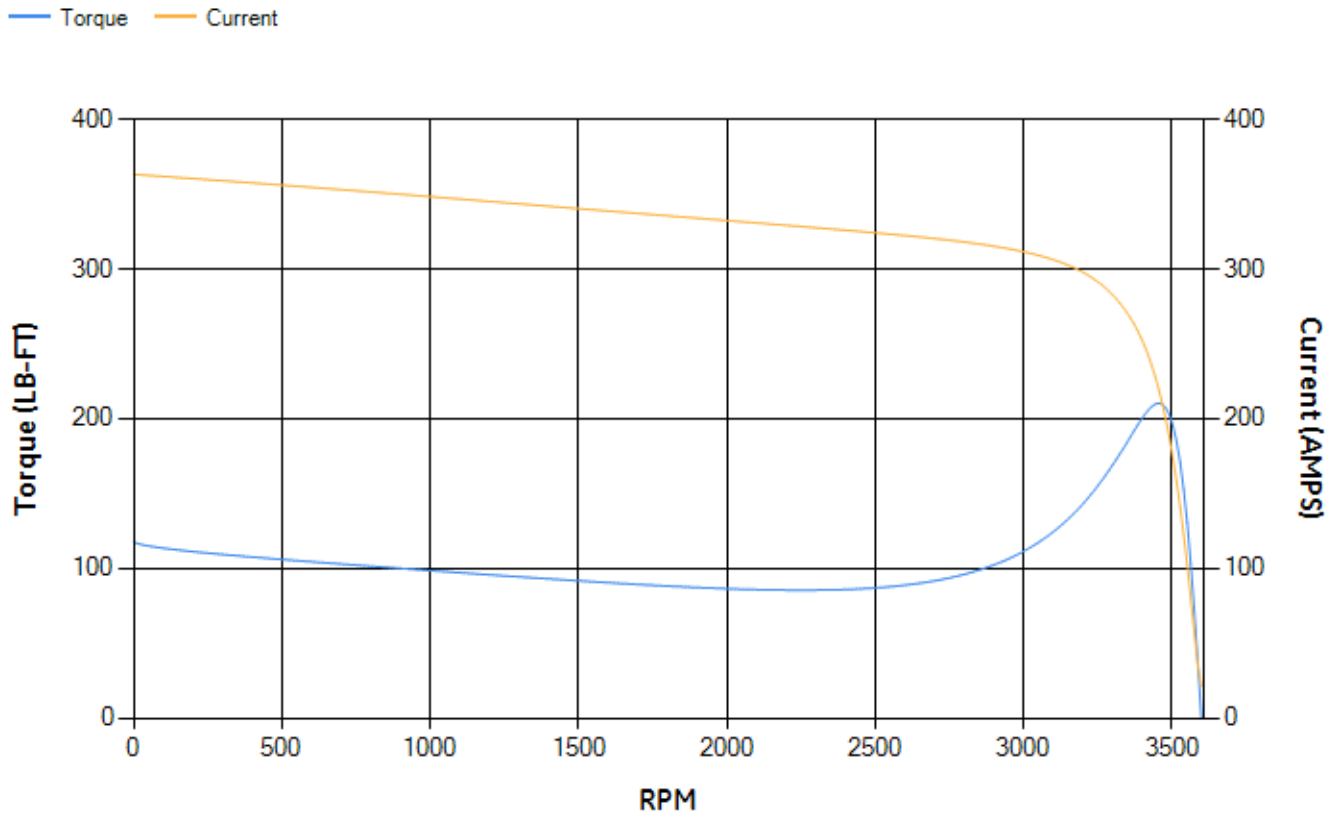
LOAD %	125.0	115.0	100.0	75.0	50.0	25.0	0.0
% EFF	91.98	92.13	92.42	91.9	90.35	84.58	0.00
% PF	87.71	87.3	86.26	82.64	74.16	53.45	9
AMPS	72.5	66.91	58.62	46.21	34.92	25.88	21.1

TORQ(FL)#FT	73.63	TORQ(LR)%FL	160.36	TORQ(BD)%FL	285.48
AMPS(LR)	363.21	PF AT START	0.31		

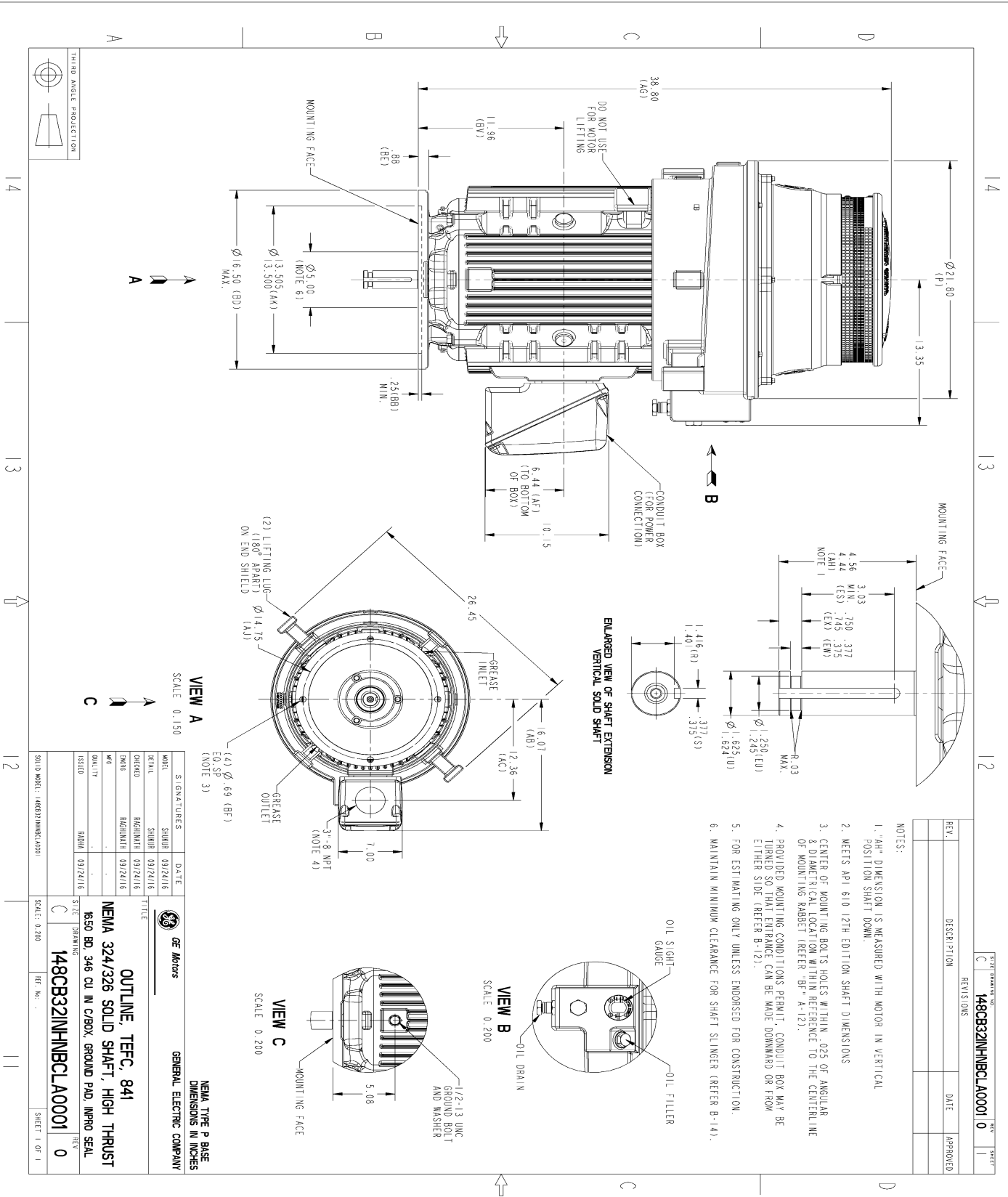
This motor is capable of two cold or one hot start with a maximum connected load inertia of 140 Lb-Ft Sq (5.89 Kg-meter Sq) at 100% voltage, where the load torque varies with the square of the speed. Acceleration time with maximum inertia and the above load type is 21 seconds. Safe stall time at 100% voltage is 44 seconds cold, 25 seconds hot. Rotor inertia is 4.06 Lb-Ft Sq (0.17 Kg-meter Sq).

Open Circuit A-C:	0.735	Short Circuit D-C:	0.018
Short Circuit A-C:	0.041	X/R Ratio:	6.858
Stator Slots:	48	Rotor Slots:	38

**Speed Torque Current Curve (First Connection, First Speed)**

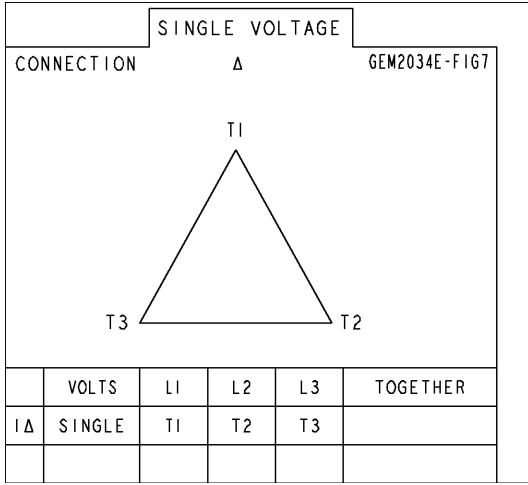


Marks:



Marks:

**Connection Diagram**  
**GEM2034E-FIG7**



End shield Assembly		
Part Description	DE Side Part#	ODE Side Part#
End Shield	115E8205AC1	115E8208LA1
Bearing	235A2509BE01	235A2523AD01
Slinger/Inproseal	235A4575GE10	

Fan & Fan Cover Assembly	
Part Description	Part#
Fan	153B1887G01
Fan Cover	128D6846AA1

Conduit & Accessories Box Assembly	
Part Description	Part#
Conduit Box	149C4429AA2

Mechanical Accessories	
Part Description	Part#
Brake	
Tachometer	

