

DATE  
DECEMBER 1, 2011  
CATALOG NO.  
HB0028

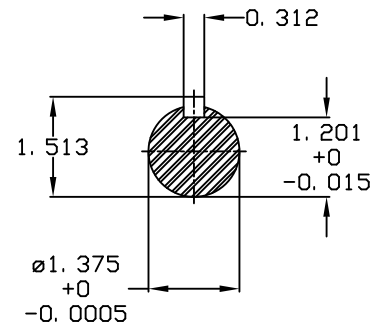
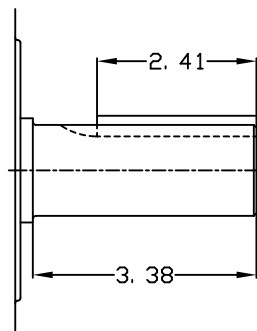
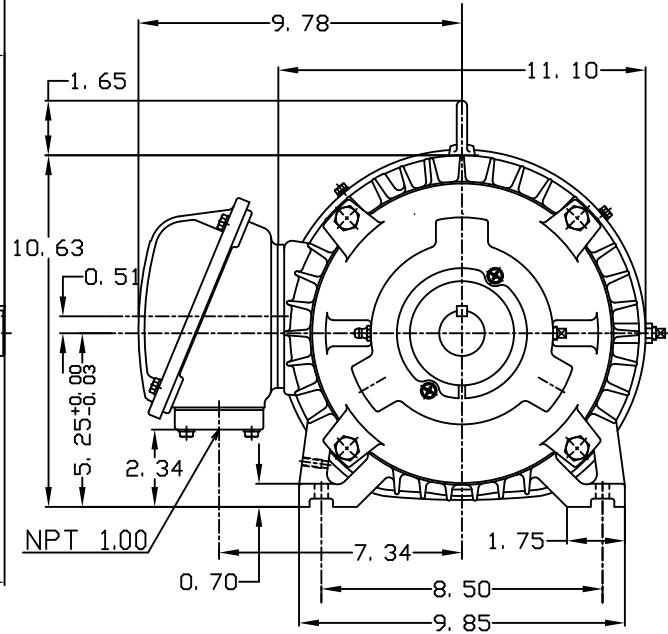
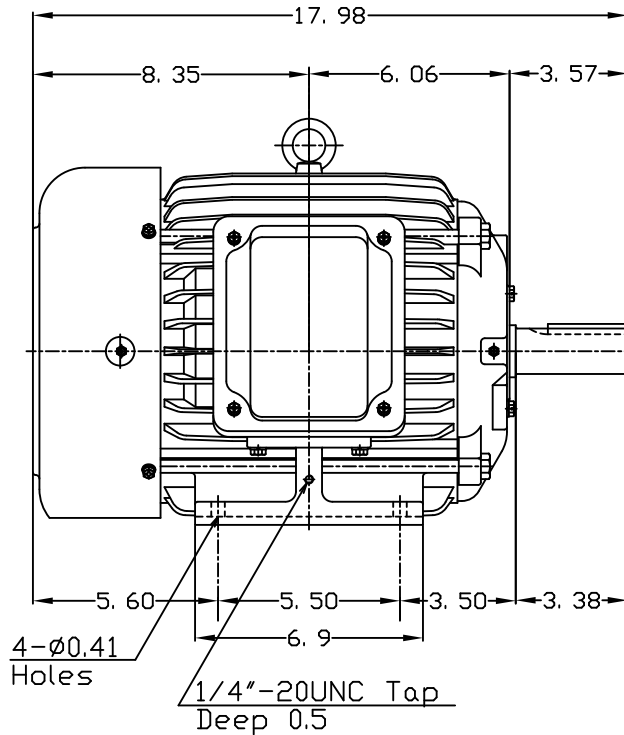
OUTLINE DIMENSIONS  
3-PHASE INDUCTION MOTOR

MOTOR TYPE:  
AEHH8B  
FRAME NO. 213T

Pole	HP	KW	Hz	VOLT	Syn. Speed RPM
8	2	1.5	60	460	900

Ins	Rating	Dimension in	Approx Weight	Bearings
F	CONT.	inches	167 lbs.	DE: 6308ZC35C NDE: 6306ZC35C

Totally Enclosed Fan-Cooled Type Squirrel-Cage Rotor.



+

DWN.	胡峰誠	11·12·98
CHKD.	羅清水	11·23·98
APPD.	黃友伯	11·23·98

TECO Westinghouse

DWG NO.  
31049HB893000