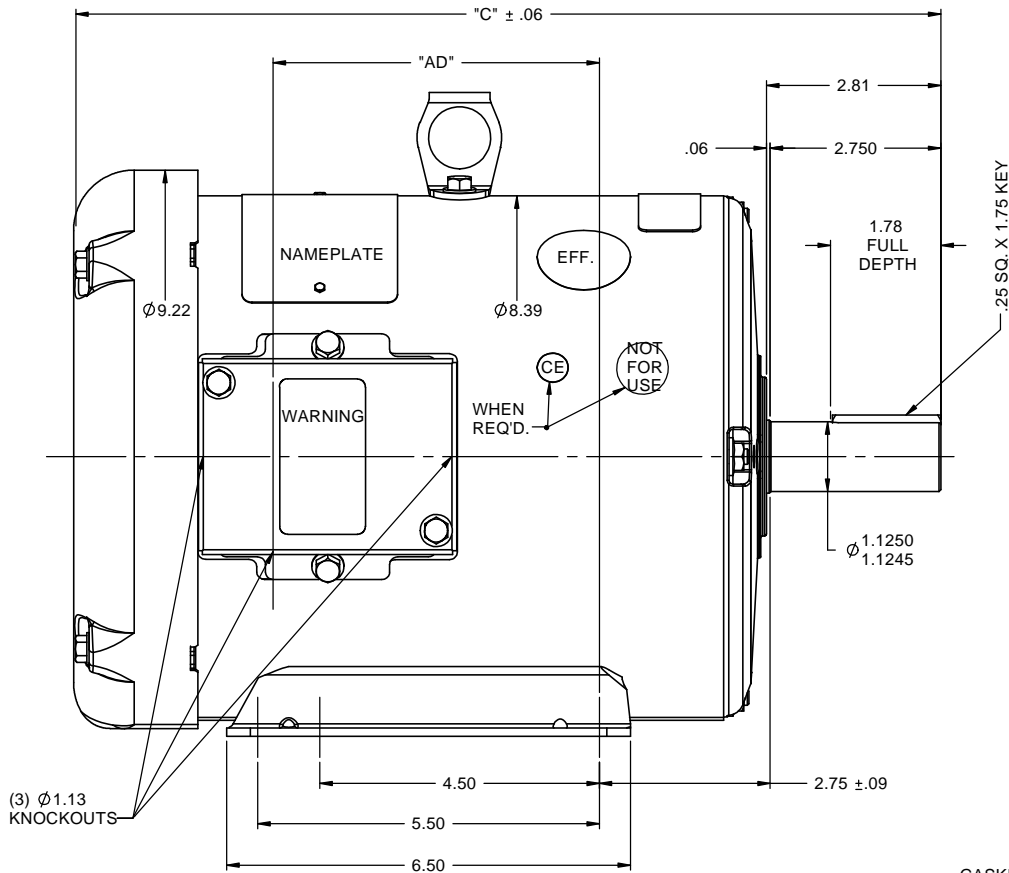


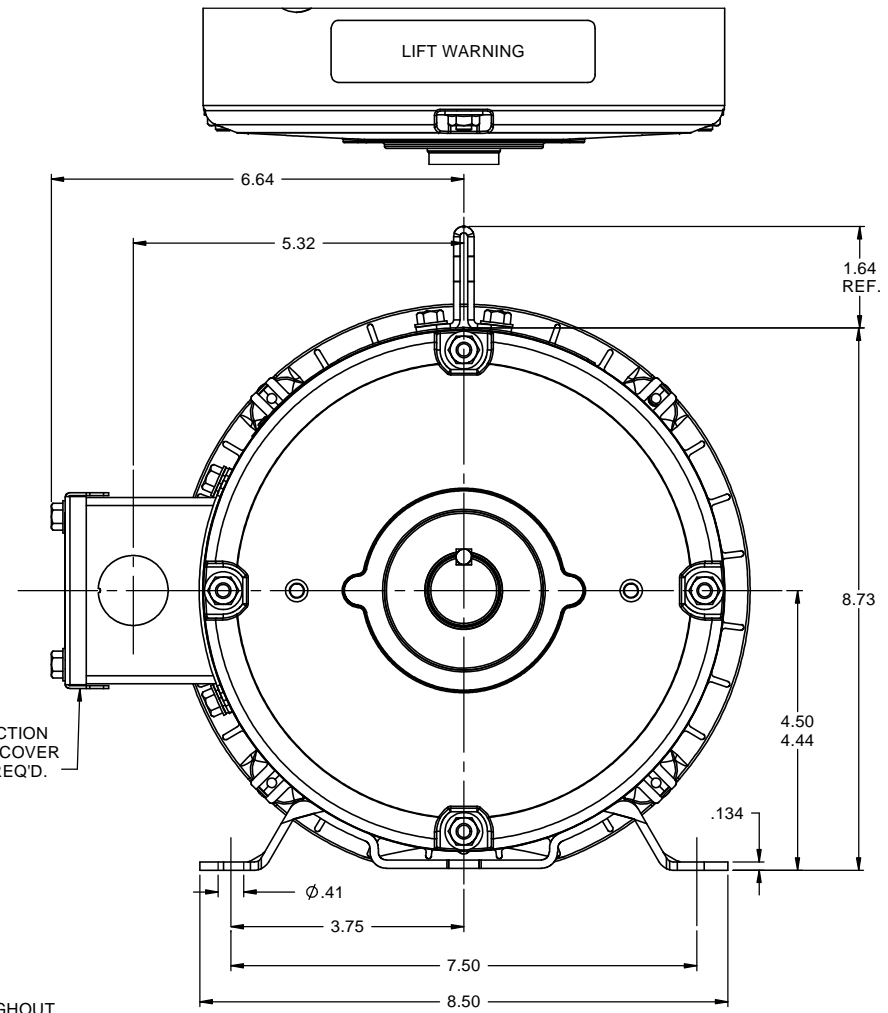
RBC PROPRIETARY AND CONFIDENTIAL INFORMATION
 This document is the property of REGAL BELOIT CORPORATION ("RBC") including its subsidiaries and divisions and contains proprietary information of RBC. This document is loaned on the express condition that neither it nor the information contained therein shall be disclosed to others without the express written consent of RBC, and that the information shall be used by the recipient only as approved expressly by RBC. This document shall be returned to RBC upon its request. This document may be subject to certain restrictions under U.S. export control laws and regulations.



.25 SQ. X 1.75 KEY

DECAL-
CONNECTION
UNDER COVER
WHEN REQ'D.

GASKET THROUGHOUT



(3) Ø 1.13
KNOCKOUTS

DASH NO.	"C"	"AD"
750	12.96	4.25
800	13.46	4.75
850	13.96	5.25
900	14.46	5.75
950	14.96	6.25
1000	15.46	6.75
1050	15.96	7.25
1100	16.46	7.75
1150	16.96	8.25

				TOLERANCES UNLESS SPECIFIED		REGAL-BELOIT CORPORATION		DRAWN MGM 2/21/03	
				DEC INCHES				CHK	
				X ±.1		XX ±.03		TITLE OUTLINE - 180T FRAME	
02 REV TO MATCH ORACLE				LST 8/13/2010		XX XXX ±.005		TEFC - RIGID	
- UPDATE & REDRAWN IN SOLIDWORKS				LST 12/10/2009		XX XXXX ±.0005		MATL GENERAL PURPOSE	
NO REVISION				BY & DATE		CHK LANG ±1/2"		FINISH	
THIRD ANGLE PROJECTION				RFP		PREV		SIZE DRAWING NO	
				NETWORK FILE NAME 035465		B		PAGE OF	
								035465	
								REV 02	