

4

3

2

1

REV	ECO	REV BY	DATE	APPD	DATE
F	0025527	J.AGUILERA	04-24-2012	R.RASCON	04-24-2012

GENERAL INFORMATION:

SHAFT RUNOUT: .001 [.03] T.I.R. PER INCH LENGTH OF EXTENSION

BEARINGS: BALL

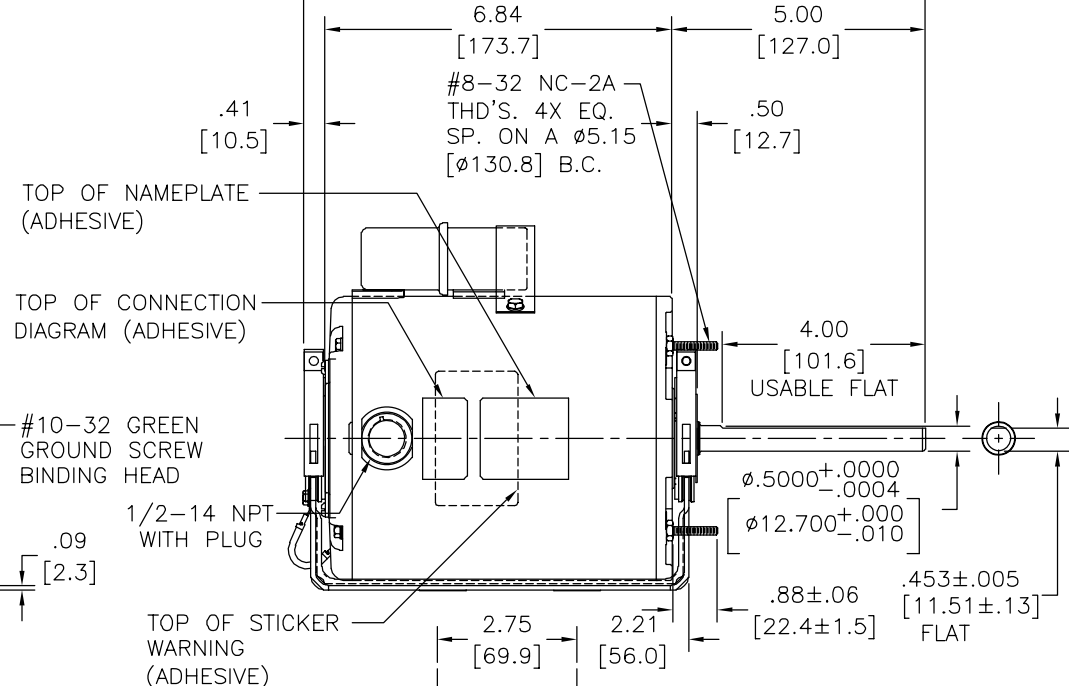
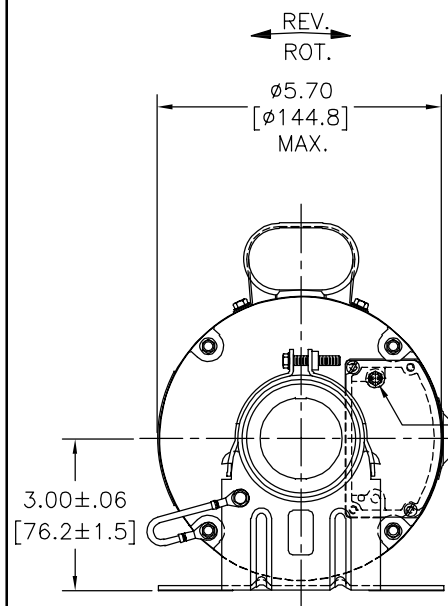
MOUNTING POSITION: HORIZONTAL

ELECTRICAL DATA:

OVERLOAD PROTECTOR: AUTOMATIC RESET (T.I. 7AM 036)

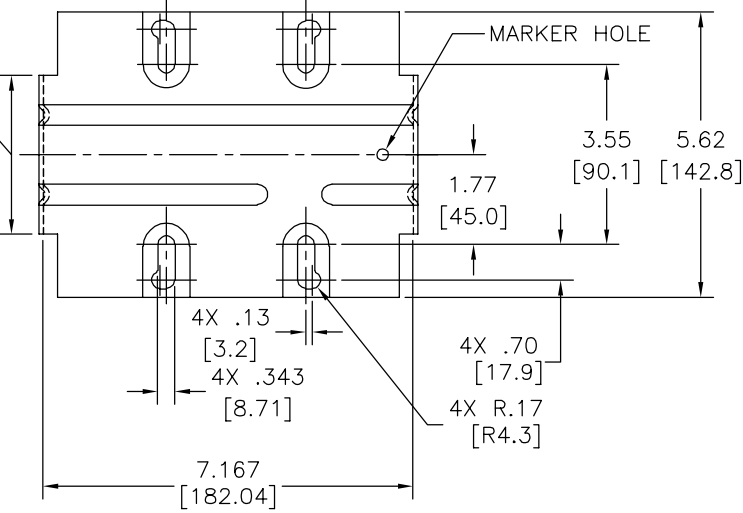
LEADS: NO. 18 GA., .03 [.8] THK. XLP 125°C INSUL.

GROUND LEAD: NO. 18 GA., .03 [.8] THK., GREEN/YELLOW INSUL.



- NOTES:
- (1) KEY 605888-001
 (1) SHAFT ADAPTER 614675
 (1) LEAD ASSEMBLY 049B18-NP-380-16
 (1) LEAD ASSEMBLY 049W18-NO-380-16 TO BE PUT IN POLY BAG AND SHIPPED SEPARATE IN EACH CARTON.
 - MOTOR TO BE SHIPPED CONNECTED FOR CCWLE ROTATION AND 115 VOLTS.

GREEN/YELLOW (GROUND)	CONNECTED TO BASE	#10 EYELET
RED	CONNECTED TO CAPACITOR	.25 [6.4] FLAG
RED	CONNECTED TO CAPACITOR	.25 [6.4] FLAG
YELLOW	3.0/5.0 [76/127]	.25 [6.4] FLAG
BLACK	3.0/5.0 [76/127]	.25 [6.4] FLAG
ORANGE	3.0/5.0 [76/127]	.25 [6.4] FLAG
WHITE	3.0/5.0 [76/127]	.25 [6.4] FLAG
RED	3.0/5.0 [76/127]	.25 [6.4] FLAG
BROWN	3.0/5.0 [76/127]	.25 [6.4] FLAG
YELLOW/BLACK	3.0/5.0 [76/127]	.25 [6.4] FLAG
COLOR	LENGTH	TERMINAL OR STRIP LENGTH



MAIN FRAME - OLE	ENCLOSED
END FRAME - OLE	ENCLOSED
MAIN FRAME - LE	ENCLOSED
END FRAME - LE	ENCLOSED

CUSTOMER	DISTRIBUTION SERVICE
----------	----------------------

NAMEPLATE DATA:	EXTERNAL CONNECTION DIAGRAM
MODEL NO.: F48Z45A01 CUST. P/N: 767A HP: 1/4 ROT.: REVERSIBLE RPM: 1725 TYPE: UF FRAME: 48Y VOLTS: 115/230 PH: 1 AMPS: 3.0/1.6 HZ: 60 INS.: B AMB.: 60° C DUTY: AIR OVER CAP.: 7.5 MFD/370 V ENCL: ENCLOSED UL LOGO CSA LOGO THERMALLY PROTECTED	

PERFORMANCE CURVE NO.	TORQUE @ 1725 RPM (25°C)	APPROVED SAMPLE	UL COMPONENT FILE #	CCN #	CSA FILE #	CLASS #
C32814	13.1 OZ. FT.	0603126A	E46412	PRGY2	LR43341	4211-01

GEOMETRIC CHARACTERISTICS & SYMBOLS
 □ FLATNESS
 — STRAIGHTNESS
 < ANGULARITY
 ⊥ PERPENDICULARITY (SQUARENESS)
 // PARALLELISM
 ○ ROUNDNESS (CIRCULARITY)
 ⌀ CYLINDRICITY
 △ PROFILE OF ANY SURFACE
 ▽ PROFILE OF ANY LINE
 ↗ RUNOUT
 ⊕ TRUE POSITION
 ⊙ CONCENTRICITY
 = SYMMETRY
 ASME Y14.5M 1994

REGAL-BELOIT CORPORATION (RBC) PROVIDES TECHNICAL ASSISTANCE TO OUR CUSTOMERS IN SEVERAL AREAS. SINCE RBC DOES NOT RECEIVE ALL DATA CONCERNING THE USE AND APPLICATION OF THE MOTOR, THE SUITABILITY OF THE MOTOR FOR THE APPLICATION MUST BE DETERMINED BY THE CUSTOMER.

DIMENSIONS WITHOUT TOLERANCES ARE FOR REFERENCE ONLY.

DR BY: SRECKERS 06-12-2007
 APPD: TRILEY 06-12-2007
 THIRD ANGLE PROJECTION
 EDS DATE 11-11-2011
 FORMAT REV G
 CONFIDENTIAL: THIS DRAWING AND ITS INFORMATION ARE THE EXCLUSIVE AND CONFIDENTIAL PROPERTY OF REGAL-BELOIT CORPORATION AND ARE NOT TO BE DISCLOSED, DUPLICATED, DISTRIBUTED OR OTHERWISE USED WITHOUT THE WRITTEN CONSENT OF REGAL-BELOIT CORPORATION. -ALL RIGHTS RESERVED.

DESCRIPTION	
MODEL-RFHP-48FR OUTLINE	
SIZE C	DWG NO 767A
SCALE NONE	SHEET 1

4

3

2

1

4

3

2

1

REVISION:	ECO	REVISADO POR:	FECHA:	APROBADO POR:	FECHA:
F	0025527	J.AGUILERA	04-24-2012	R.RASCON	04-24-2012

INFORMACION GENERAL:

OSCILACION DE FLECHA: .001 [.03] T.I.R. PER INCH LENGTH OF EXTENSION

BALEROS: BALERO

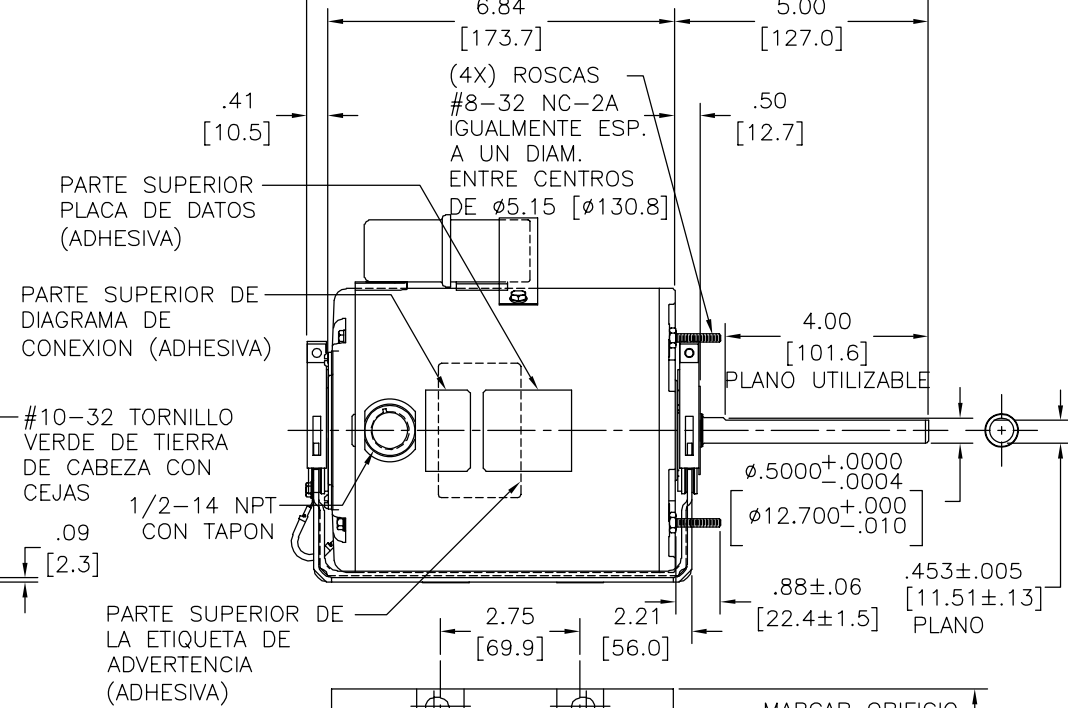
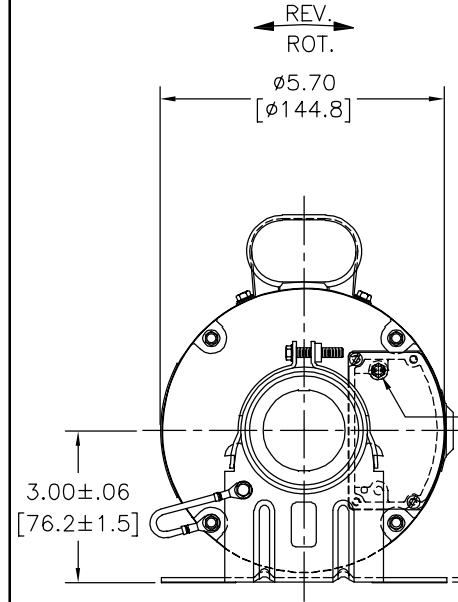
POSICION DEL MONTAJE: HORIZONTAL

INFORMACION ELECTRICA:

PROTECTOR DE SOBRECARGA: REINICIO AUTOMATIC (T.I. 7AM 036)

CABLES: NO. 18 GA., .03 [.8] THK. XLP 125°C AISLAM.

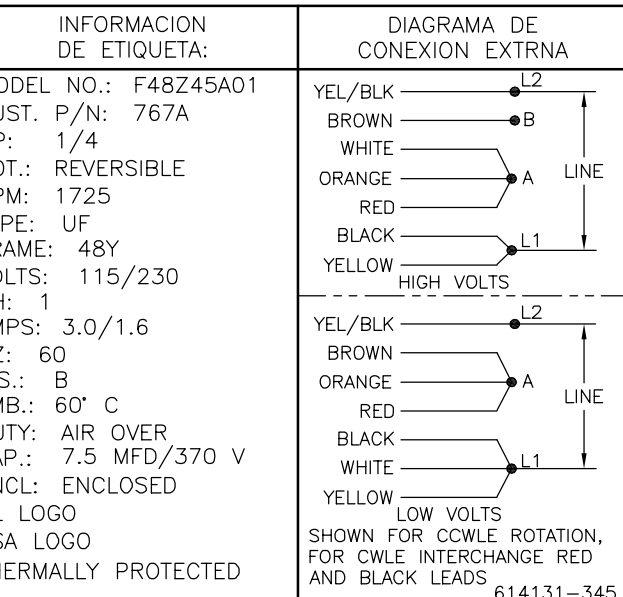
CABLE DE TIERRA: NO. 18 GA., .03 [.8] THK. (VERDE/AMARILLO) AISLAM.



VERDE/AMARILLO (TIERRA)	CONECTADO A LA BASE	OJAL #10
ROJO	CONECTADO AL CAPACITOR	.25 [6.4] BANDERA
ROJO	CONECTADO AL CAPACITOR	.25 [6.4] BANDERA
AMARILLO	3.0/5.0 [76/127]	.25 [6.4] BANDERA
NEGRO	3.0/5.0 [76/127]	.25 [6.4] BANDERA
NARANJA	3.0/5.0 [76/127]	.25 [6.4] BANDERA
BLANCO	3.0/5.0 [76/127]	.25 [6.4] BANDERA
ROJO	3.0/5.0 [76/127]	.25 [6.4] BANDERA
CAFE	3.0/5.0 [76/127]	.25 [6.4] BANDERA
AMARILLO/NEGRO	3.0/5.0 [76/127]	.25 [6.4] BANDERA
COLOR	LONGITUD	TERMINAL O LONGITUD DE DESFORRE

CARCASA - LOC	ENCERRADO
TAPA - LOC	ENCERRADO
CARCASA - LC	ENCERRADO
TAPA - LC	ENCERRADO

CLIENTE	DISTRIBUTION SERVICE
---------	----------------------



CURVAS DE FUNCIONAMIENTO	TORSION @ 1725 RPM (25°C)	MUESTRA APROBADA	COMPONENTE UL	CSA
C32814	13.1 OZ. FT.	0603126A	#ARCHIVO PRGY2 LR43341	4211-01

CARACTERISTICAS DE GEOMETRIA Y SIMBOLOS
 □ PLANICIDAD
 — RECTITUD
 < ANGULARIDAD
 ⊥ PERPENDICULARIDAD (A ESCUADRA)
 // PARALELISMO
 ○ REDONDEZ (CIRCULARIDAD)
 ∅ CILINDRICIDAD
 △ PERFIL DE CUALQUIER SUPERFICIE
 ∩ PERFIL DE CUALQUIER LINEA
 ↗ VARIACION
 ⊕ POSICION REAL
 ⊙ CONCENTRICIDAD
 = SIMETRIA
 ASME Y14.5M 1994

REGAL-BELOIT CORPORATION (RBC) PROVEE ASISTENCIA TECNICA A NUESTROS CLIENTES EN VARIAS AREAS. DESDE QUE RBC NO RECIBE TODOS LOS DATOS EN RELACION AL USO Y A LA APLICACION DEL MOTOR, LA APLICACION ADECUADA DEL MOTOR DEBE SER DETERMINADA POR EL CLIENTE.
 DIMENSIONES SIN TOLERANCIA SON DE REFERENCIA SOLAMENTE

DIBUJADO POR: SRECKERS 06-12-2007
 APROBADO POR: TRILEY 06-12-2007
 TERCER ANGULO DE PROYECCION
 CONFIDENCIAL: ESTE DIBUJO Y SU INFORMACION SON PROPIEDAD DE USO EXCLUSIVO Y CONFIDENCIAL DE REGAL-BELOIT CORPORATION. Y NO DEBERAN SER REVELADOS, DUPLICADOS, DISTRIBUIDOS O USARSE DE OTRA MANERA SIN EL CONSENTIMIENTO ESCRITO DE REGAL-BELOIT CORPORATION. -TODOS LOS DERECHOS RESERVADOS.

DESCRIPCION: MODEL-RFHP-48FR OUTLINE
 TAMAÑO: C NUMERO DE DIBUJO: 767A
 ESCALA: NONE HOJA: 1

4

3

2

1

4

3

2

1

总技术要求:

轴跳动: .001[.03]/1[25.4]外伸轴

轴承: 球轴承

安装位置: 水平

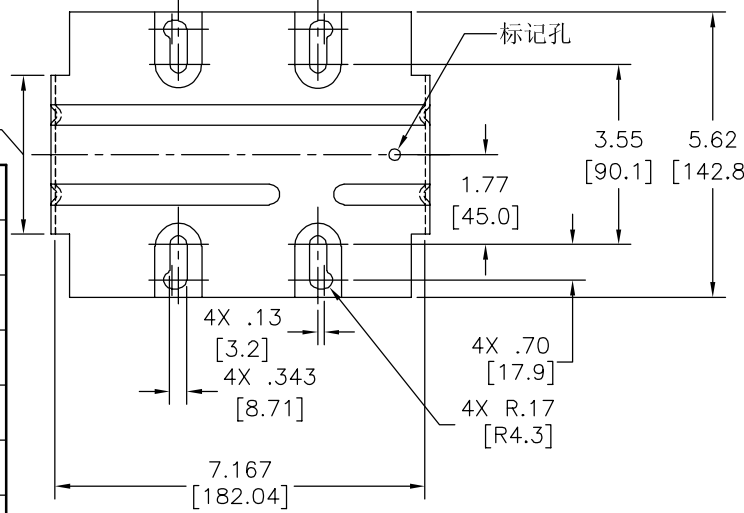
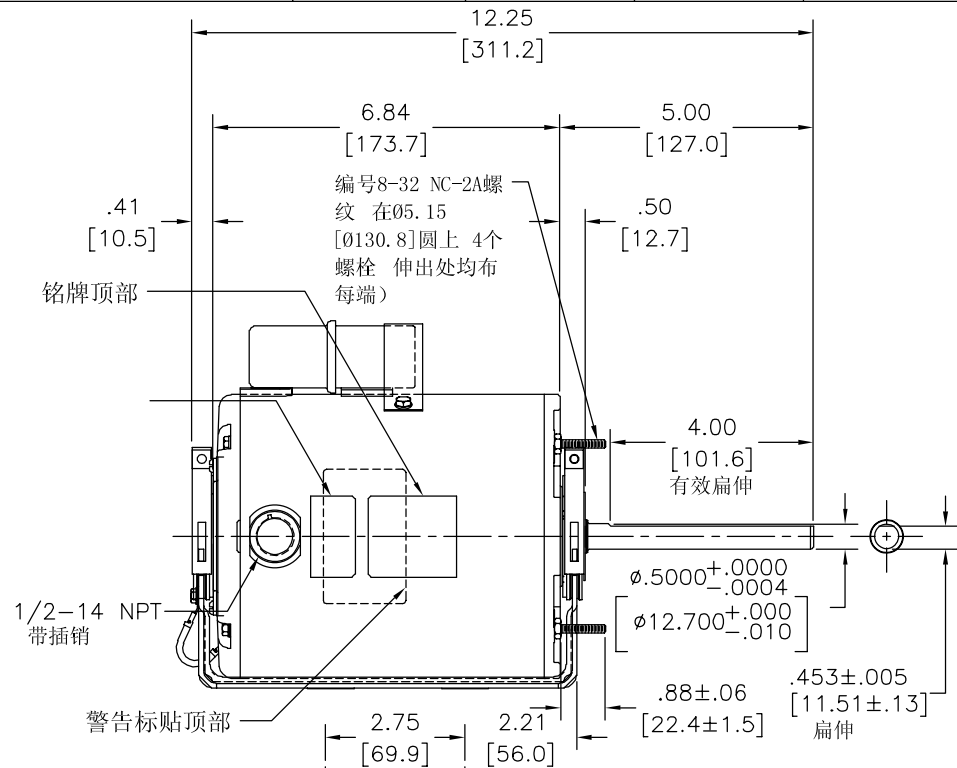
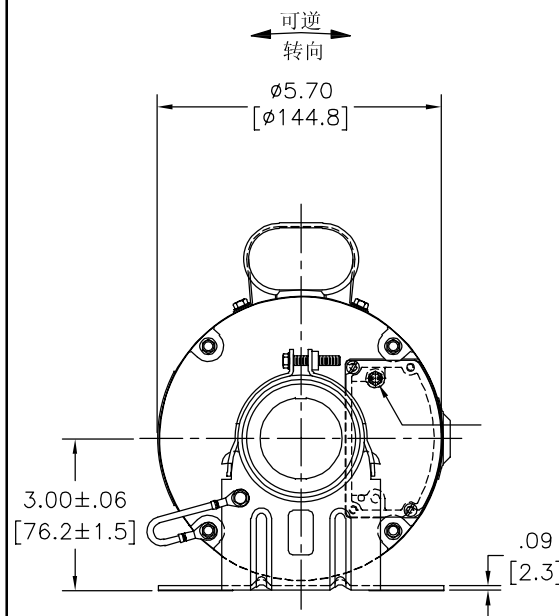
电气数据:

过载保护: 自动复位 (T.I. 7AM 036)

引线: 18# (美制标准), 厚.03[.8] XLP 125° C 绝缘

接地线: 18# (美制标准), 厚.03[0.8]绿色绝缘

版本	ECO	编制	日期	批准	日期
F	0025527	J.AGUILERA	04-24-2012	R.RASCON	04-24-2012



铭牌数据	外部数据线																													
MODEL NO.: F48Z45A01 CUST. P/N: 767A HP: 1/4 ROT.: REVERSIBLE RPM: 1725 TYPE: UF FRAME: 48Y VOLTS: 115/230 PH: 1 AMPS: 3.0/1.6 HZ: 60 INS.: B AMB.: 60° C DUTY: AIR OVER CAP.: 7.5 MFD/370 V ENCL: ENCLOSED UL LOGO CSA LOGO THERMALLY PROTECTED	<table border="0"> <tr> <td>YEL/BLK</td> <td>L2</td> <td rowspan="2">LINE</td> </tr> <tr> <td>BROWN</td> <td>B</td> </tr> <tr> <td>WHITE</td> <td rowspan="2">A</td> <td rowspan="2">LINE</td> </tr> <tr> <td>ORANGE</td> </tr> <tr> <td>RED</td> <td rowspan="2">L1</td> <td rowspan="2">HIGH VOLTS</td> </tr> <tr> <td>BLACK</td> </tr> <tr> <td>YELLOW</td> <td>L2</td> <td rowspan="2">LINE</td> </tr> <tr> <td>BROWN</td> <td>B</td> </tr> <tr> <td>ORANGE</td> <td rowspan="2">A</td> <td rowspan="2">LINE</td> </tr> <tr> <td>RED</td> </tr> <tr> <td>BLACK</td> <td rowspan="2">L1</td> <td rowspan="2">LOW VOLTS</td> </tr> <tr> <td>WHITE</td> </tr> <tr> <td>YELLOW</td> <td></td> <td></td> </tr> </table> <p>614131-345</p>	YEL/BLK	L2	LINE	BROWN	B	WHITE	A	LINE	ORANGE	RED	L1	HIGH VOLTS	BLACK	YELLOW	L2	LINE	BROWN	B	ORANGE	A	LINE	RED	BLACK	L1	LOW VOLTS	WHITE	YELLOW		
YEL/BLK	L2	LINE																												
BROWN	B																													
WHITE	A	LINE																												
ORANGE																														
RED	L1	HIGH VOLTS																												
BLACK																														
YELLOW	L2	LINE																												
BROWN	B																													
ORANGE	A	LINE																												
RED																														
BLACK	L1	LOW VOLTS																												
WHITE																														
YELLOW																														

绿色 (接地线)		#10 带环线
红		.25 [6.4] 旗形插
红		.25 [6.4] 旗形插
蓝	3.0/5.0 [76/127]	.25 [6.4] 旗形插
黑	3.0/5.0 [76/127]	.25 [6.4] 旗形插
棕	3.0/5.0 [76/127]	.25 [6.4] 旗形插
白	3.0/5.0 [76/127]	.25 [6.4] 旗形插
红	3.0/5.0 [76/127]	.25 [6.4] 旗形插
棕	3.0/5.0 [76/127]	.25 [6.4] 旗形插
蓝/黑	3.0/5.0 [76/127]	.25 [6.4] 旗形插
颜色	长度	端子或剥线长度

无引线端机壳	密封
无引线端端盖	密封
有引线端机壳	密封
有引线端端盖	密封

用户	DISTRIBUTION SERVICE
----	----------------------

性能曲线编号	转矩在 @ 1725 RPM (25° C)	批准样品	UL部件	CSA
C32814	13.1 OZ. FT.	O603126A	文件号 指南	文件号 指南
			E46412 PRGY2	LR43341 4211-01

- 形位公差
- 平面度
- 直线度
- ∠ 倾斜度
- ⊥ 垂直度
- // 平行度
- 圆度
- ⊘ 圆柱度
- ⊖ 面轮廓度
- ⊖ 线轮廓度
- ↗ 圆跳动
- ⊕ 位置度
- ⊙ 对称度

ASME Y14.5M 1994

REGAL-BELOIT CORPORATION (RBC) 在个别领域为客户提供技术支持。鉴于RBC未收到任何涉及电机使用和应用环境的数据, 电机的适用性由客户自己决定。

未注公差尺寸仅供参考。

绘图:	SRECKERS	06-12-2007
批准:	TRILEY	06-12-2007
第三角投影		图纸格式发布日期 11-11-2011 图纸格式版本 G
机密: 本图纸及相关信息所有权归REGAL-BELOIT CORPORATION。未经REGAL-BELOIT CORPORATION书面授权, 不得泄露、复制、传播或作其他用途。—版权所有		

名称		REGAL-BELOIT CORPORATION	
MODEL-RFHP-48FR		OUTLINE	
图幅	C	图号	767A
比例	NONE	页号	1

4

3

2

1