

DATE  
Jan. 14, 2011  
CAT. #: VHP1004

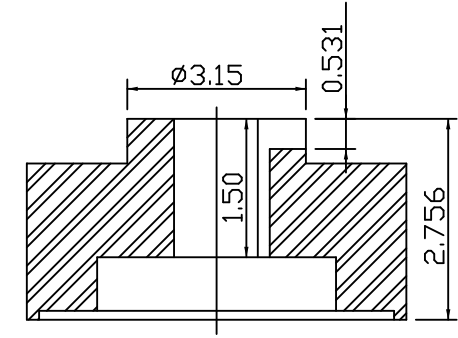
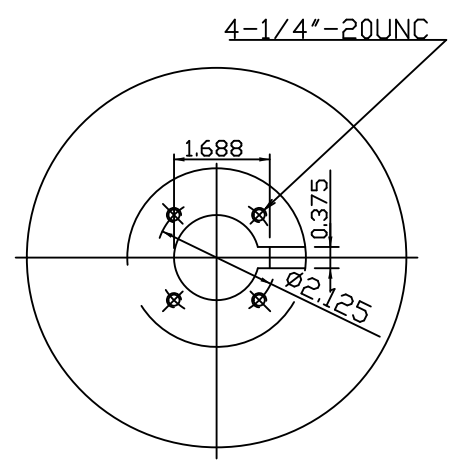
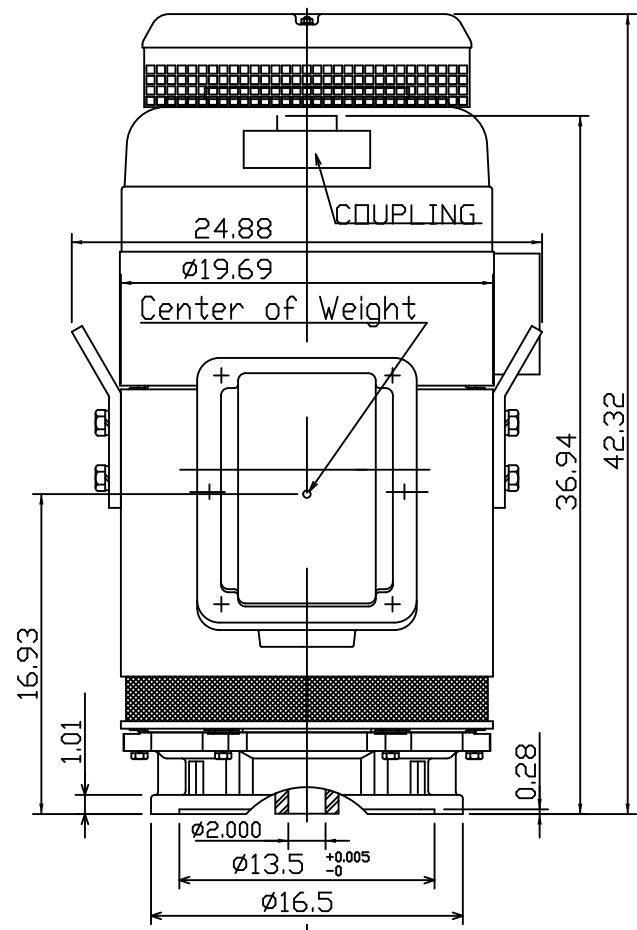
OUTLINE DIMENSIONS  
3-PHASE INDUCTION MOTOR

MOTOR TYPE:  
AMRCNH  
FRAME NO. 404TP

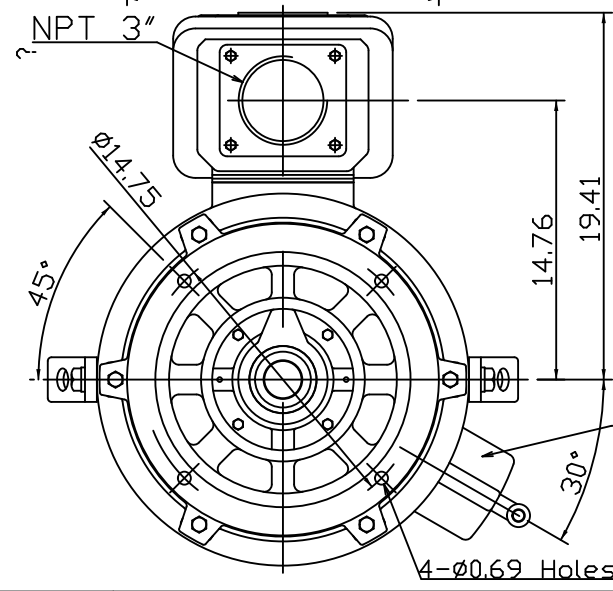
Pole	HP	kW	Hz	VOLT	Syn.Speed r/min(rpm)
4	100	75	60	230/460	1800

Ins	Rating	Dimension in	Approx Weight	Bearings
F	CONT.	inch	1276 lbs	DE: 6315C3 NDE: 7322B

NEMA Weather Protected TYPE I (WP I) Squirrel-cage Rotor.



Coupling Dimension



- Note:
1. Downthrust: 7900lbs  
L10 - 8800 hours
  2. Rotation: C.C.W  
View from Top
  3. With N.R.R.
  4. Approx Reel  
Frequencies: 47 Hz
  5. Upper Bearing: Oil lube  
Kind of Oil: Turbine Oil  
-300SSU/100°F ISO VG68  
Quantity: 1.06 Gallons

12.23.08

DWN.	???????	12 12 08
CHKD.	???????	12 23 08
APPD.	???????	12 23 08



DWG NO.  
31057H811151A