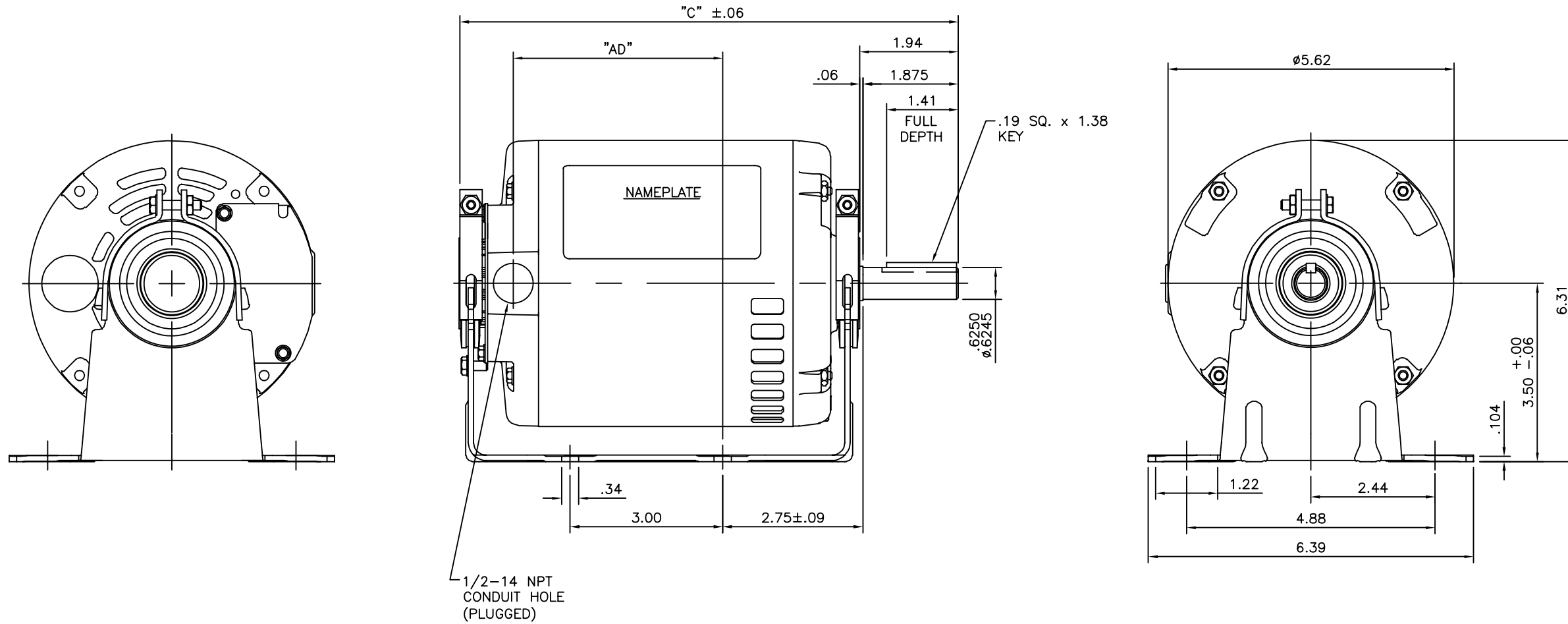


031624



DASH NO.	"C"	"AD"
450	9.31	3.62
500	9.81	4.12
550	10.31	4.62
600	10.81	5.12
650	11.31	5.62
700	11.81	6.12
750	12.31	6.62

		TOLERANCES UNLESS SPECIFIED		Regal Beloit America, Inc.		DRAWN PG 5/24/01	
		DEC.	INCHES			CHK	
		.X	±.1	APPD			
03	REVISED SCREW HEAD POSITON PER ECO-0053841	PST 6/19/2014	PI	.XX	±.03	TITLE OUTLINE - S56 FRAME	
02	ADDED LEAD END VIEW PER ISAAC# 08-5699	RVD 01/15/09		.XXX	±.005	RESILIENT MOUNT - DRIP PROOF	
01	ADDED "700" DASH NO.	PG 6/28/01		.XXXX	±.0005	MAT'L.	3 PHASE
NO.	REVISION	BY & DATE	CHK	ANG	±1/2'	FINISH	PREV
THIS DRAWING IN DESIGN AND DETAIL IS OUR PROPERTY AND MUST NOT BE USED EXCEPT IN CONNECTION WITH OUR WORK ALL RIGHTS OF DESIGN AND INVENTION ARE RESERVED THIS IS AN ELECTRONICALLY GENERATED DOCUMENT - DO NOT SCALE THIS PRINT				RFP	CAD FILE	031624	SIZE B
				DIST	DRAWING NO.	031624	REV. 03