

No reproduction of this drawing is allowed without written permission of WEG Motores

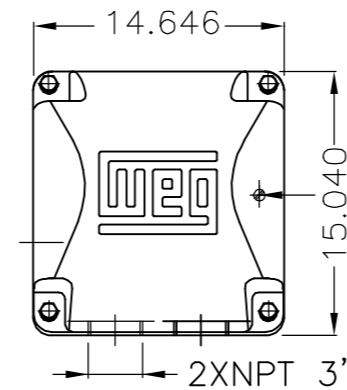
EIXO	
PADRÃO	
OPCIONAL	X
ESPECIAL	

Dimensões em polegadas  
Dimensions in inches

**CERTIFIED WEG MOTORES**

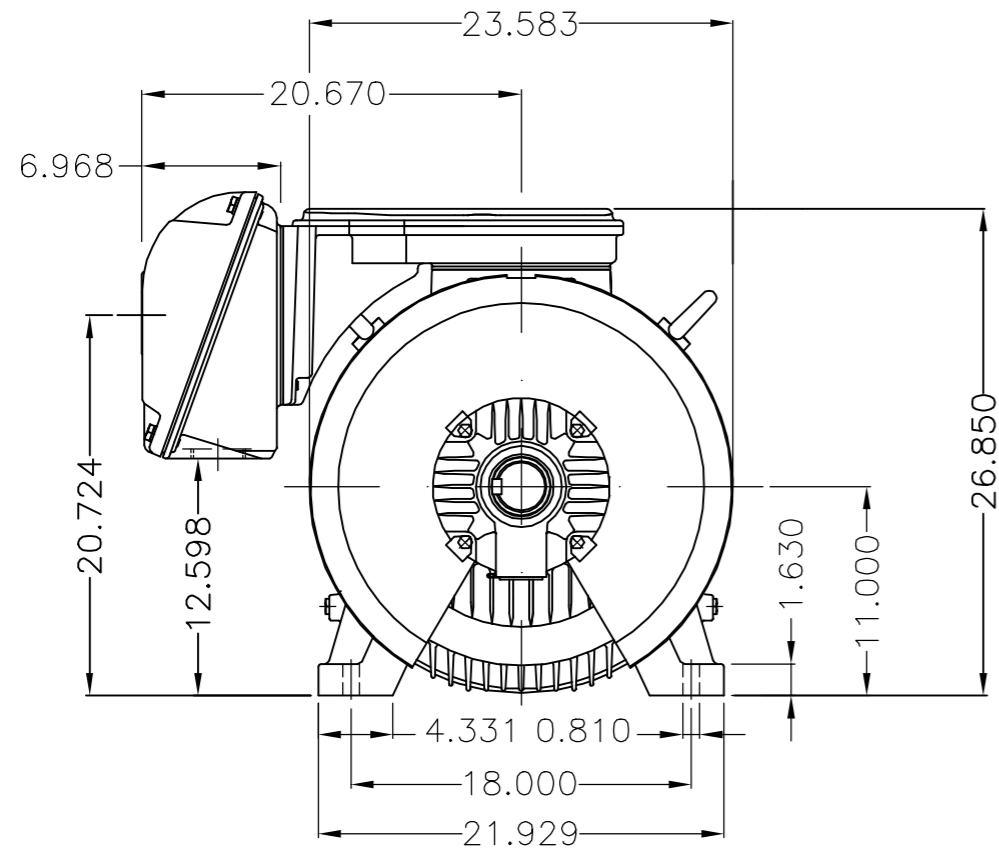
Certified document.  
Not subject to changes.

THIS IS AN UPDATED REVISION, THE PREVIOUS ONE MUST BE DISREGARDED.

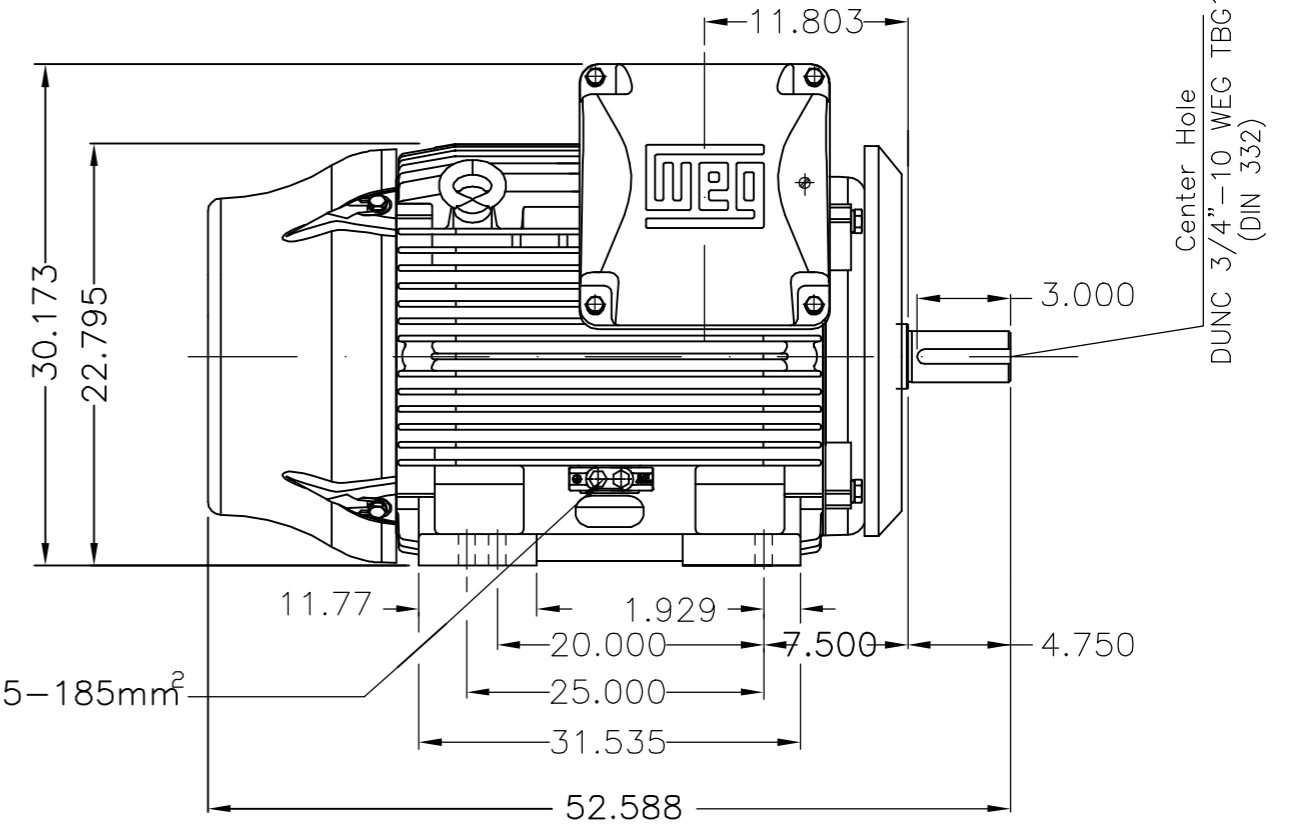


Main terminal box

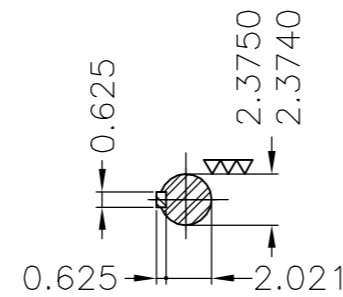
Grounding for leads 35–70mm<sup>2</sup>



Grounding for leads 25–185mm<sup>2</sup>



Center Hole  
DUNC 3/4"–10 WEG TBG12  
(DIN 332)



DE Shaft End

Rolamento dianteiro de esferas 6314 C3 / 6314 C3 DE ball bearing						
Defletor de ar dianteiro / Drive-End Air Deflector						
Ponta de eixo TS / TS shaft end						
Plano de pintura 203A / Painting plan 203A						
Forma construtiva B3D / Mounting B3R(D)						
<b>WEG ELECTRIC CORPORATION – WEC</b>						
500000821834		ALT. CONFORME ECM 500000821834	SCHENKEL	RICARDOAN	08.11.2013	02
500000804573		ALT CONF ECM 500000804573	DCARDOSO	RICARDOAN	02.10.2013	01
ECM ECM	LOC LOC	RESUMO MODIFICAÇÃO SUMMARY OF MODIFICATIONS	EXECUTADO EXECUTED	VERIFICADO CHECKED	LIBERADO RELEASED	DATA DATE
EXEC. /EXECUTED	SCARMAGNANI	THREE PHASE W22 MOTOR - NEMA PREMIUM EFF	10001718808			
VERIF. /CHECKED		FRAME 447/9TS IP55	000   02			
LIBER. /RELEASED	DVEGINI		000   02			
DATA LB /REL DT	27.04.2012	WMO-JGS JARAGUÁ DO SUL	ENG. MOTORES INDUSTRIAIS	FOLHA/SHEET	1 / 1	

350 HP	04 Poles	60Hz	412462295/0	ELET/MEC	B
300 HP	04 Poles	60Hz	412462296/0	ELET/MEC	A

