

DATE  
APRIL 26, 2004  
CATALOG NO.  
HB0036

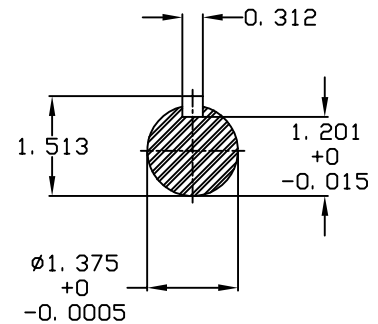
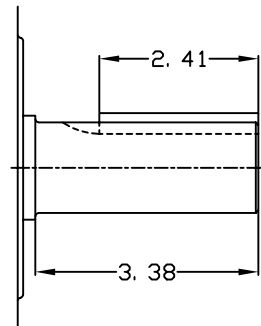
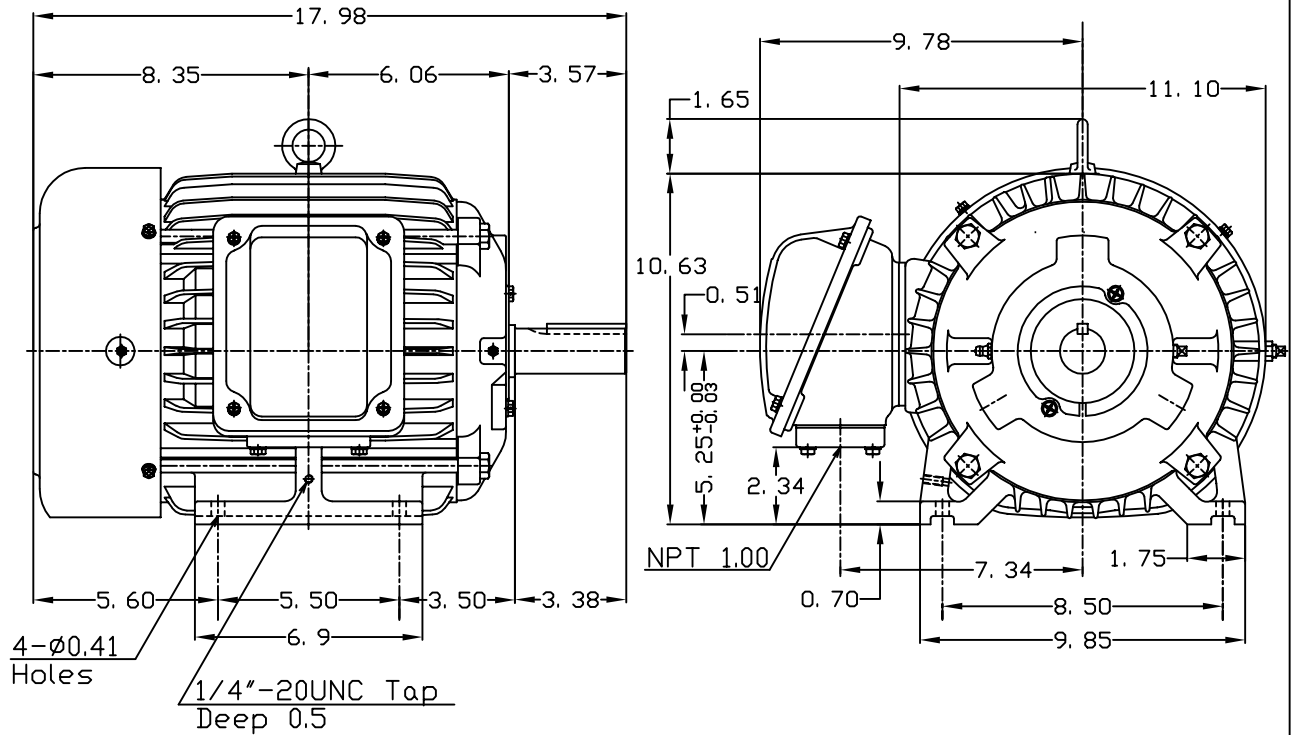
OUTLINE DIMENSIONS  
3-PHASE INDUCTION MOTOR

MOTOR TYPE:  
AEHH8B  
FRAME NO. 213T

| Pole | HP | KW  | Hz | VOLT | Syn.Speed<br>RPM |
|------|----|-----|----|------|------------------|
| 6    | 3  | 2.2 | 60 | 460  | 1200             |

| Ins | Rating | Dimension in | Approx Weight | Bearings                     |
|-----|--------|--------------|---------------|------------------------------|
| F   | CONT.  | inches       | 167 lbs.      | DE: 6308ZC35C NDE: 6306ZC35C |

Totally Enclosed Fan-Cooled Type.Squirrel-Cage Rotor.



|       |     |          |
|-------|-----|----------|
| DWN.  | 胡峰誠 | 11·12·98 |
| CHKD. | 羅清水 | 11·23·98 |
| APPD. | 黃友伯 | 11·23·98 |

TEC   Westinghouse

DWG NO.  
31049HB893000