

(3) Ø 1.13
KNOCKOUTS

DASH NO.	"C"	"AD"
750	12.96	4.25
800	13.46	4.75
850	13.96	5.25
900	14.46	5.75
950	14.96	6.25
1000	15.46	6.75
1050	15.96	7.25
1100	16.46	7.75
1150	16.96	8.25

.25 SQ. X 1.75 KEY

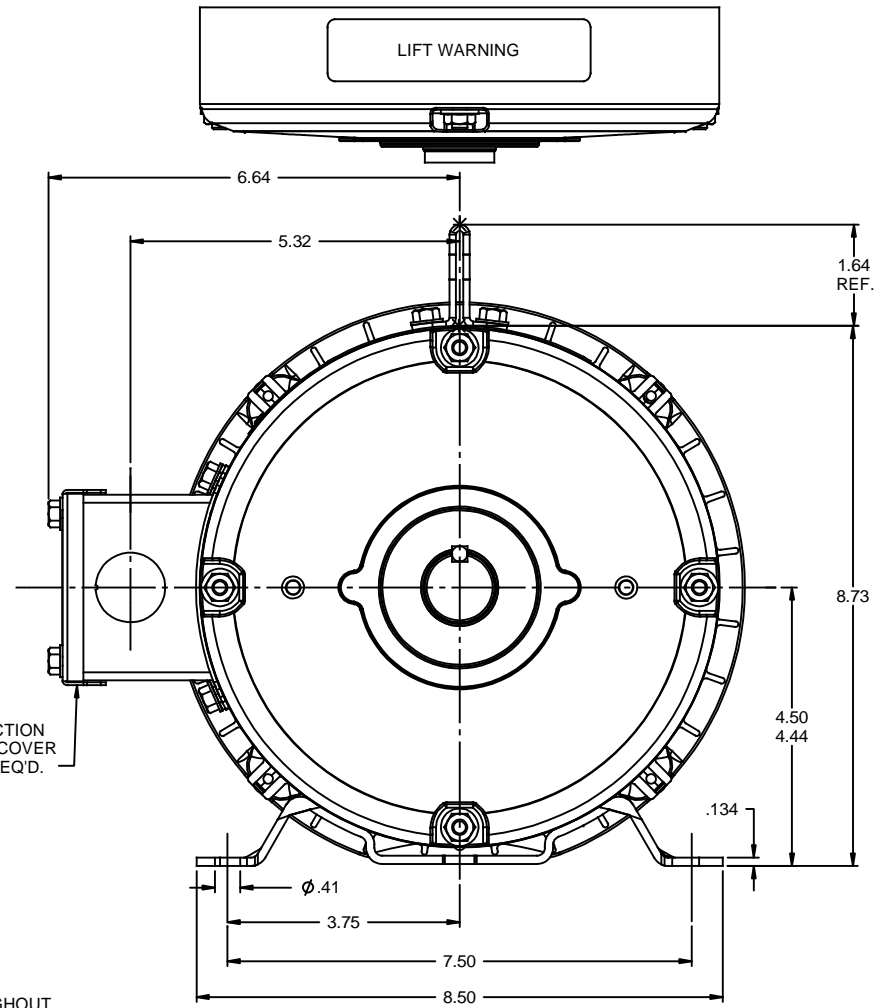
1.78
FULL
DEPTH

Ø 1.1250
1.1245

WHEN
REQ'D.

DECAL-
CONNECTION
UNDER COVER
WHEN REQ'D.

GASKET THROUGHOUT



LIFT WARNING

REVISION		BY & DATE	CHK	ANG	FINISH	SIZE	DRAWING NO	REV
01	ADDED T-STAT DECAL	JD 6/17/2011	xxx	±1/2"	GENERAL PURPOSE	B	035465LN	01
THIRD ANGLE PROJECTION			RFP		PREV			
			NETWORK FILE NAME		035465LN			

TOLERANCES
UNLESS SPECIFIED

DEC INCHES

x ±.1

.xx ±.03

.xxx ±.005

.xxxx ±.0005



TITLE OUTLINE - 180T FRAME

TEFC - RIGID

MATL GENERAL PURPOSE

DRAWN KK 3/17/2011

CHK ST 3/17/2011

APPR

SCALE 1:2

REF 035465

FMF

PAGE OF