

Product Information Packet

May 6, 2017

Data shown is for the current revision model #. Ensure your nameplate model # matches.

Model Number:	5KS365DAJ6008B
Catalog Number:	V4420
Instruction Manual:	GEK-95353
Connection Diagram:	GEM2034E-FIG19
Outline Drawing:	148CB36VMHKBCAA0001

Accessory Connection Diagrams

Bearing Thermocouple:	None	Heater:	3027JE-1C
RTD:	None	Thermistor:	None
Thermostat:	None	Winding Thermocouple:	None
Bearing RTD:	None		

Table of Contents

Specification	01
Performance Characteristics	02
Outline Drawing	03
Connection Drawing(s)	04
Spare parts	05



Marks:

MODEL NUMBER:	5KS365DAJ6008B	Estimated Weight:	830 Lbs
Outline Drawing:	148CB36VMHKBCAA0001	Time Rating:	CONT
Connection Diagram:	GEM2034E-FIG19	Enclosure:	WPI
Instruction Book:	GEK-95353	Encl Construction:	OPEN
Design Code:	36BD1237AA	Ambient Max(°C):	40
Type:	KS	Alt Ambient Max(°C):	--
Frame:	L365TP16	Insulation Class:	H
Phases:	3	NEMA Design:	B
Poles:	4	Nominal Efficiency:	95.0 %
Output Power:	75HP 55.5KW	Guaranteed Efficiency:	94.1
RPM:	1785	3/4 Load Efficiency:	--
Voltage:	460	KVA Code:	G
Hertz:	60	Max KVAR:	27.8
Amps - FL:	91.7	Power Factor:	81.0
Service Factor:	1.15	Bearing - DE:	6212C3
Alt Service Factor:	--	Bearing - ODE:	235A2523AD01

Enclosure is Weather Protected One

Stamped Nameplate Notes:

HTR LDS HE1-HE2 115V 100W
 ROT CCW FACING ODE LEAD/PH SEQ 1-2-3/1-2-3
 INVERTER DUTY PER NEMA MG1 PART 31
 ALTERNATE RATING FOR PWM CONTROL:1.0SF 40C AMBIENT
 VAR TORQUE RANGE 5-60 HZ
 UPPER BRG LUBE OIL: 3.7 QTS
 0 DEG C TO 40 DEG C : ISO 32(MINERAL OR SYNTHETIC)
 -15 DEG C TO 0 DEG C : ISO 32 SYNTHETIC
 SUITABLE FOR 60 HP, 380V, 50 HZ WITH
 88.3 AMPS AND 1485 RPM AT 1.0 SF

Additional Information:

4P, VERT HOLLOW SHAFT HIGH THRUST (1D)
 C/BOX 346 CU IN - 3.00" NPT
 OIL RESISTANT SLEEVING ON LEADS
 115V HTR LDS TO MAIN CONDUIT BOX
 BEARING LIFE 8760 HRS AT 6244 LB THRUST
 PART WINDING START
 CG:15.23 IN FROM P-BASE FACE, STAT DEF:0.0033 IN
 RCF:3300 CPM AT C/BOX SIDE, 3270 CPM AT
 90 DEG FROM C/ BOX SIDE
 NON-REVERSE BALL CARRIER
 COUPLING NOT INCLUDED IN BOM, WILL BE
 ORDERED SEPERATELY;
 SPECIAL BALANCE;

Performance Characteristics

1st Winding 1st Connection

Design: 36BD1237AA

Marks:

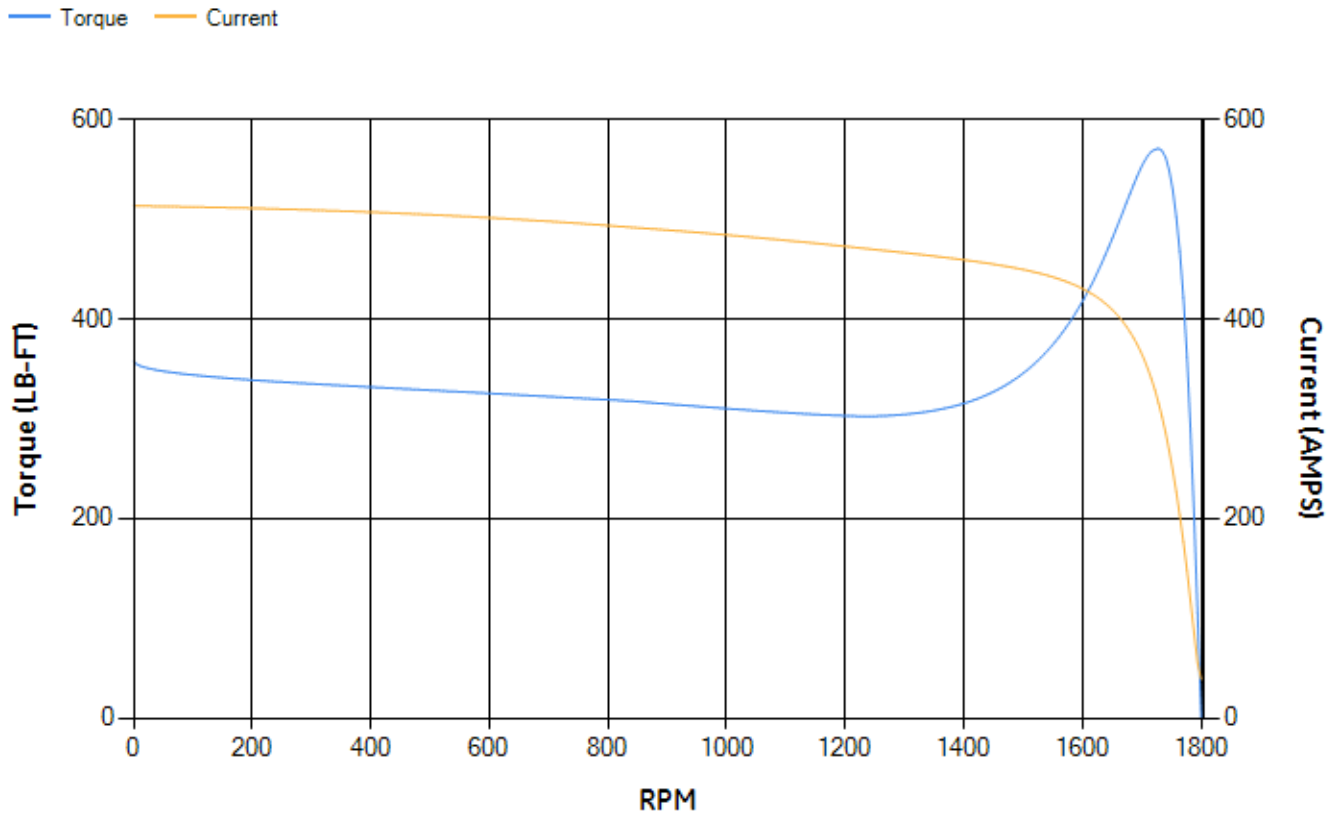
LOAD %	125.0	115.0	100.0	75.0	50.0	25.0	0.0
% EFF	94.27	94.47	94.9	94.8	94.19	91.05	0.00
% PF	83.3	82.68	81.16	76.28	65.73	43.32	3.71
AMPS	111.74	103.36	90.91	72.81	56.69	44.49	38.73

TORQ(FL)#FT	220.79	TORQ(LR)%FL	162.17	TORQ(BD)%FL	257.77
AMPS(LR)	513.2	PF AT START	0.31		

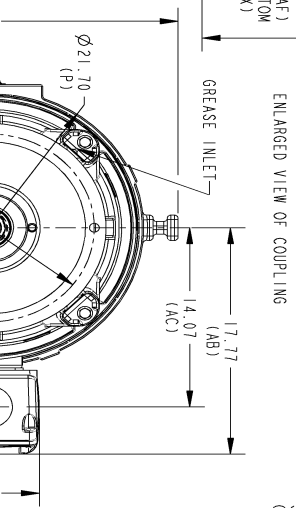
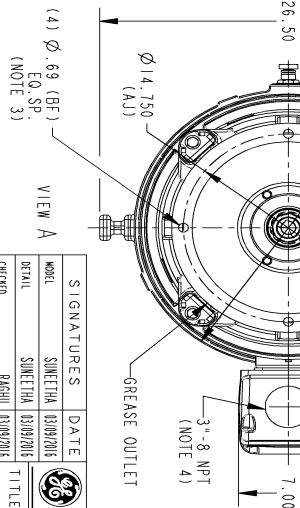
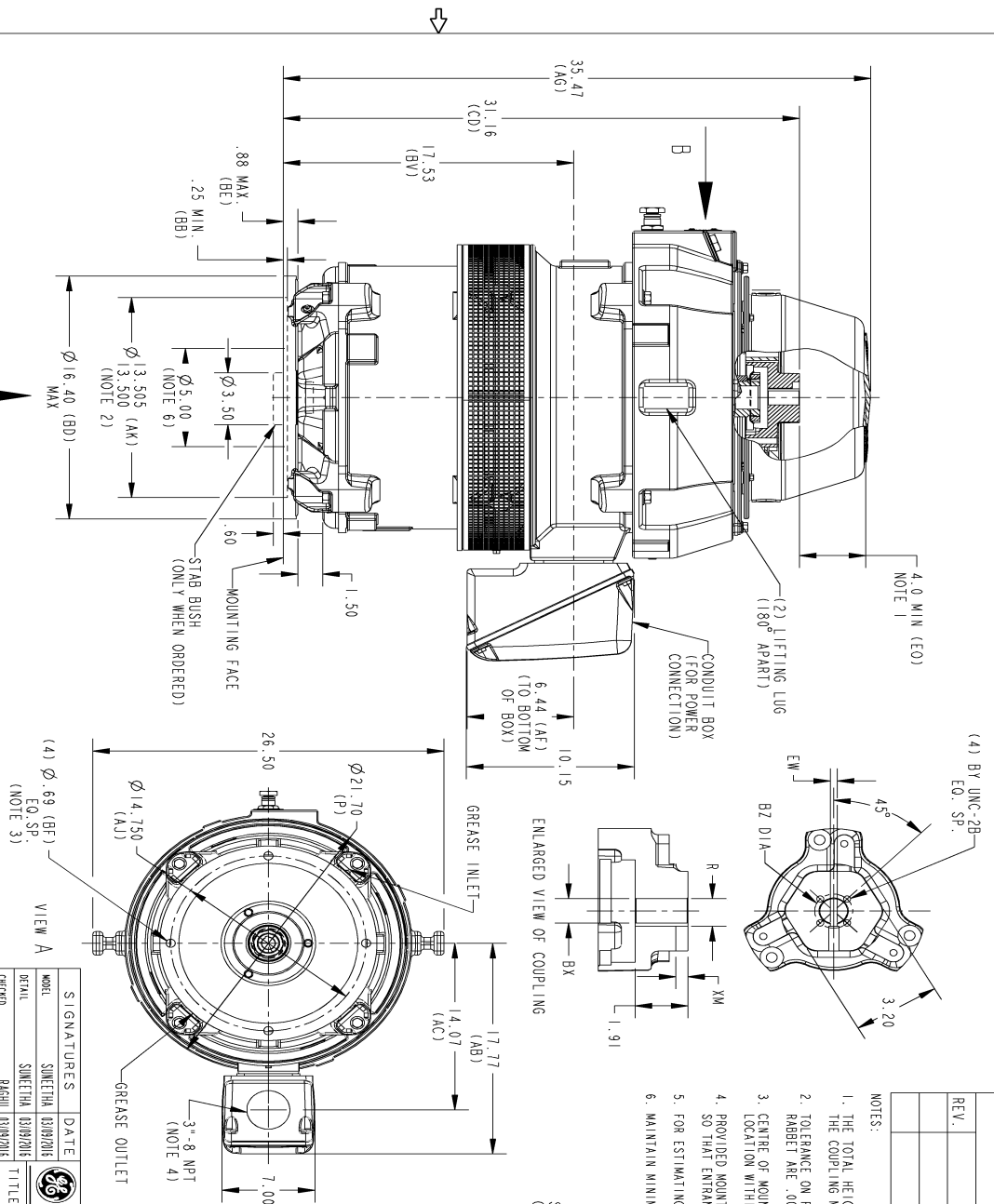
This motor is capable of two cold or one hot start with a maximum connected load inertia of 1715 Lb-Ft Sq (72.2 Kg-meter Sq)at 100% voltage, where the load torque varies with the square of the speed. Acceleration time with maximum inertia and the above load type is 37 seconds. Safe stall time at 100% voltage is 64 seconds cold, 45 seconds hot. Rotor inertia is 12.73 Lb-Ft Sq (0.54 Kg-meter Sq).

Open Circuit A-C:	0.635	Short Circuit D-C:	0.026
Short Circuit A-C:	0.04	X/R Ratio:	9.705
Stator Slots:	60	Rotor Slots:	50

Speed Torque Current Curve (First Connection, First Speed)



Marks:

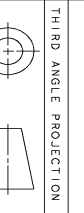


GE Motors
GENERAL ELECTRIC COMPANY

COUPLING DIMENSIONS		KEY WAY	
BX	BY	BZ	EW
1.502-1.501	2.125	0.315	1.619/1.669
1.439-1.438	2.125	0.315	1.615/1.605
1.252-1.251	1.750	0.315	1.425/1.415
1.252-1.251	1.750	0.250	1.377/1.367
1.189-1.188	1.750	0.250	1.314/1.304
1.002-1.001	1.375	0.250	1.124/1.114

DIMENSIONS IN INCHES
NEMA TYPE P BASE

- NOTES:
- THE TOTAL HEIGHT OF THE PUMP SHAFT AND LOCKING NUT IS ABOVE THE COUPLING MUST NOT EXCEED THIS DIMENSION.
 - TOLERANCE ON FACE RUNOUT AND PERMISSIBLE ECCENTRICITY OF MOUNTING RABBIT ARE .001, 1.1R
 - CENTRE OF MOUNTING BOLTS HOLES WITHIN 0.025 OF ANGULAR & DIAMETRICAL LOCATION WITHIN REFERENCE TO THE CENTRAL LINE OF MOUNTING RABBIT.
 - PROVIDED MOUNTING CONDITIONS PERMIT, CONDUIT BOX MAY BE TURNED SO THAT ENTRANCE CAN BE MADE UPWARD, DOWNWARD OR FROM EITHER SIDE.
 - FOR ESTIMATING ONLY UNLESS ENDORSED FOR CONSTRUCTION.
 - MAINTAIN MINIMUM CLEARANCE FOR SHAFT SLINGER.



SIZE DRAWING NO. B
148CB36VMHKBCAA0001 0

REV.	DESCRIPTION	DATE	APPROVED

SIGNATURES	DATE
MODEL	SINETHA 03/09/2016
DETAIL	SINETHA 03/09/2016
CHECKED	RAGHU 03/09/2016
ENGR	RAGHU 03/09/2016
DWG	
QUALITY	
ISSUED	RAJNA 03/09/2016
SOLO MODEL	148CB36VMHKBCAA0001

GE Motors
GENERAL ELECTRIC COMPANY

TITLE
OUTLINE, WPI

NEMA 364-365 HOLLOW SHAFT, HIGH THRUST
1650 BD, 346 CU IN C/BOX

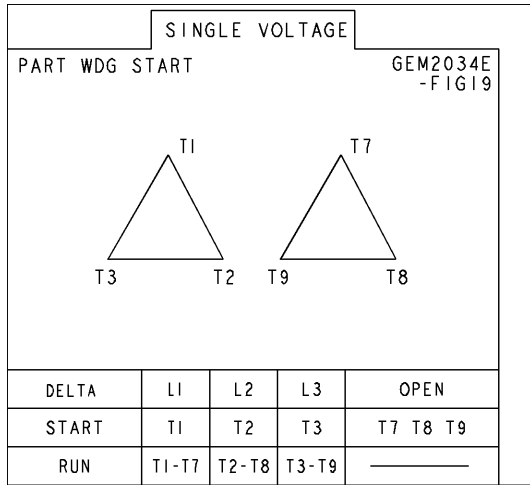
SCALE: 0.120 REF. No.

SIZE DRAWING B
148CB36VMHKBCAA0001 0

SHEET 1 OF 1

Marks:

Connection Diagram
GEM2034E-FIG19



Heater Connection
3027JE-1C



End shield Assembly		
Part Description	DE Side Part#	ODE Side Part#
End Shield	115E7255AA1	115E7259LA1
Bearing	235A2509BE01	235A2523AD01
Slinger/Inproseal	235A2300FM1	

Fan & Fan Cover Assembly	
Part Description	Part#
Fan	
Fan Cover	161C1053AA1

Conduit & Accessories Box Assembly	
Part Description	Part#
Conduit Box	149C4429AA2

Mechanical Accessories	
Part Description	Part#
Brake	
Tachometer	

