

Product Information Packet

November 9, 2016

Data shown is for the current revision model #. Ensure your nameplate model # matches.

Model Number:	5KS256SAA404D1
Catalog Number:	M9882
Instruction Manual:	GEI-56128
Connection Diagram:	GEM2034E-FIG7
Outline Drawing:	4002B5825PAP5201

Accessory Connection Diagrams			
Bearing Thermocouple:	None	Heater:	None
RTD:	None	Thermistor:	None
Thermostat:	None	Winding Thermocouple:	None
Bearing RTD:	None		

Table of Contents

Specification	01
Performance Characteristics	02
Outline Drawing	03
Connection Drawing(s)	04
Spare parts	05



Marks:

MODEL NUMBER:	5KS256SAA404D1	Estimated Weight:	350 Lbs
Outline Drawing:	4002B5825PAP5201	Time Rating:	CONT
Connection Diagram:	GEM2034E-FIG7	Enclosure:	TEFC
Instruction Book:	GEI-56128	Encl Construction:	X\$D
Design Code:	25BD4020B	Ambient Max(°C):	40
Type:	KS	Alt Ambient Max(°C):	50
Frame:	256T	Insulation Class:	H
Phases:	3	NEMA Design:	B
Poles:	8	Nominal Efficiency:	87.5 %
Output Power:	7.5HP 5.6KW	Guaranteed Efficiency:	86.5
RPM:	875	3/4 Load Efficiency:	89.2
Voltage:	575	KVA Code:	H
Hertz:	60	Max KVAR:	4.2
Amps - FL:	8.9	Power Factor:	72.5
Service Factor:	1.25	Bearing - DE:	6309ZC3
Alt Service Factor:	1.00	Bearing - ODE:	6309ZC3

Enclosure is Totally Enclosed Fan-Cooled

Stamped Nameplate Notes:

SF AMPS 10.7
 STAMP NP249A5564P051 AS BELOW:
 MODEL:5KS256SAA404D1 S/N: XXX
 CSA CERTIFIED CSA09.2216219 FOR EX NA IIC 200C GC
 CL 1 ZONE2 AEX NA IIC 200C;CL 1 DIV2 GRP ABCD 200C
 IN -40C <= AMB <= 40C, 1.0 SF ON SINE-WAVE PWR
 SURF TEMP 260C AT 1.25SF ON SINE-WAVE PWR
 OR 200C VT OR 200C CT OR 200C CHP PWM CONTROL
 ALTERNATE RATING FOR PWM CONTROL 1.0SF 40C AMB
 VT 0 - 60 HZ, CT 3-60 HZ, CHP 60-90 HZ.

Additional Information:

8P - T EXTN
 STANDARD FLOOR MOUNT
 C/BOX 137 CU IN-1.25 NPT
 F1 CONDUIT BOX MOUNTING
 OIL RESISTANT SLEEVING ON LEADS

Performance Characteristics

1st Winding 1st Connection

Design: 25BD4020B

Marks:

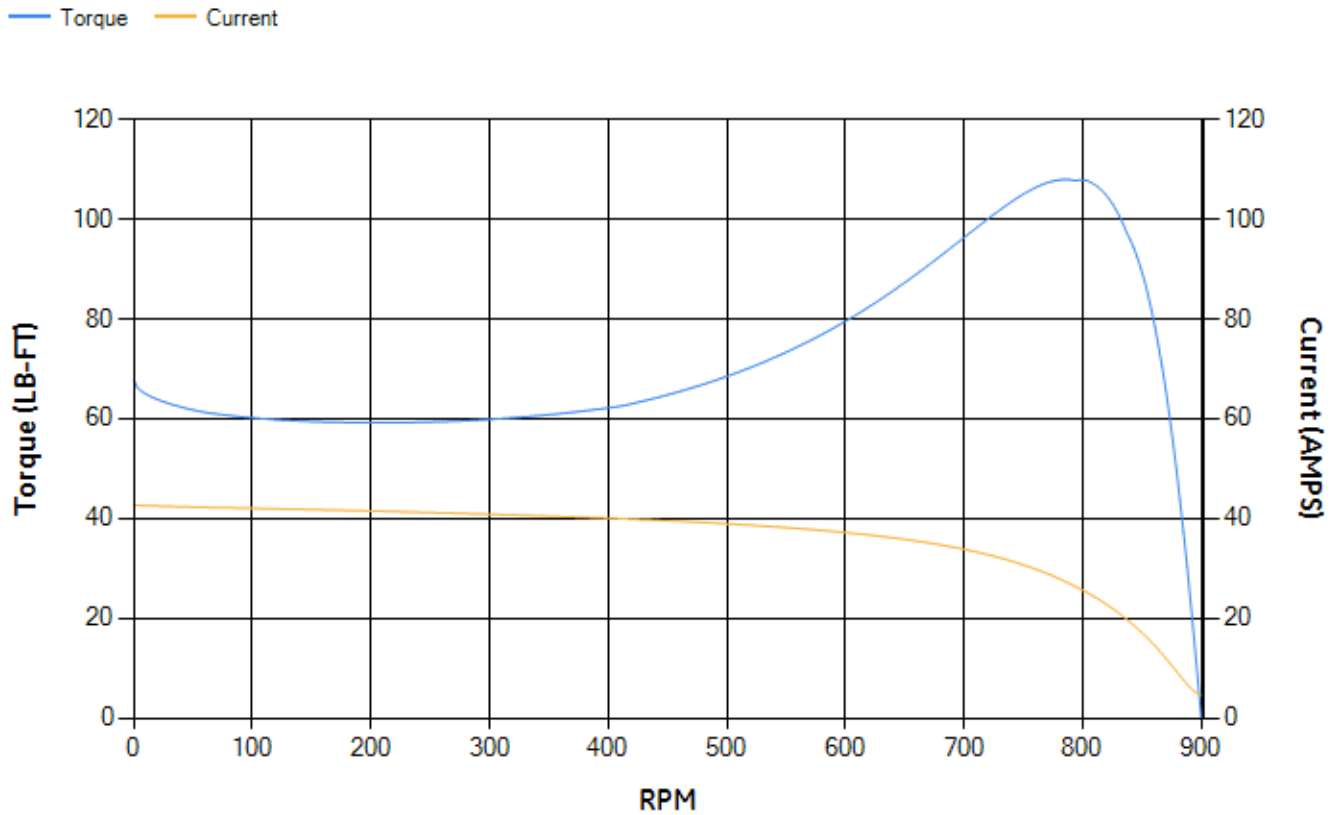
LOAD %	125.0	115.0	100.0	75.0	50.0	25.0	0.0
% EFF	86.64	87.41	88.54	89.23	88.77	84.03	0.00
% PF	75.72	74.65	72.26	65.45	53.24	33.06	4.63
AMPS	10.7	9.9	8.78	7.21	5.94	5.05	4.64

TORQ(FL)#FT	45.01	TORQ(LR)%FL	150.79	TORQ(BD)%FL	238.07
AMPS(LR)	42.64	PF AT START	0.34		

This motor is capable of two cold or one hot start with a maximum connected load inertia of 1220 Lb-Ft Sq (51.36 Kg-meter Sq)at 100% voltage, where the load torque varies with the square of the speed. Acceleration time with maximum inertia and the above load type is 60 seconds. Safe stall time at 100% voltage is 145 seconds cold, 88 seconds hot. Rotor inertia is 2.11 Lb-Ft Sq (0.09 Kg-meter Sq).

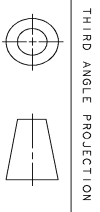
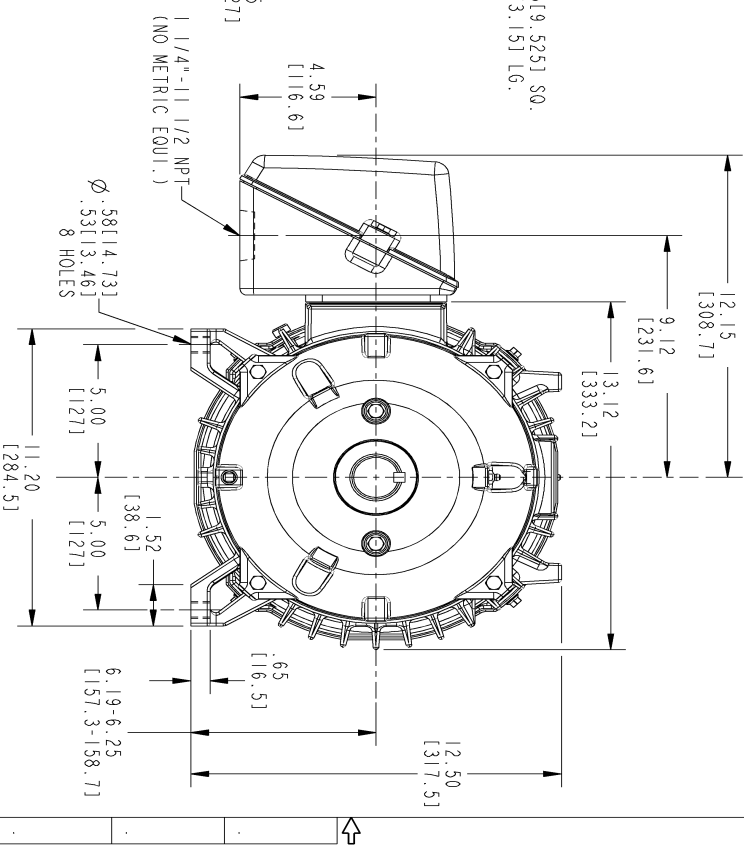
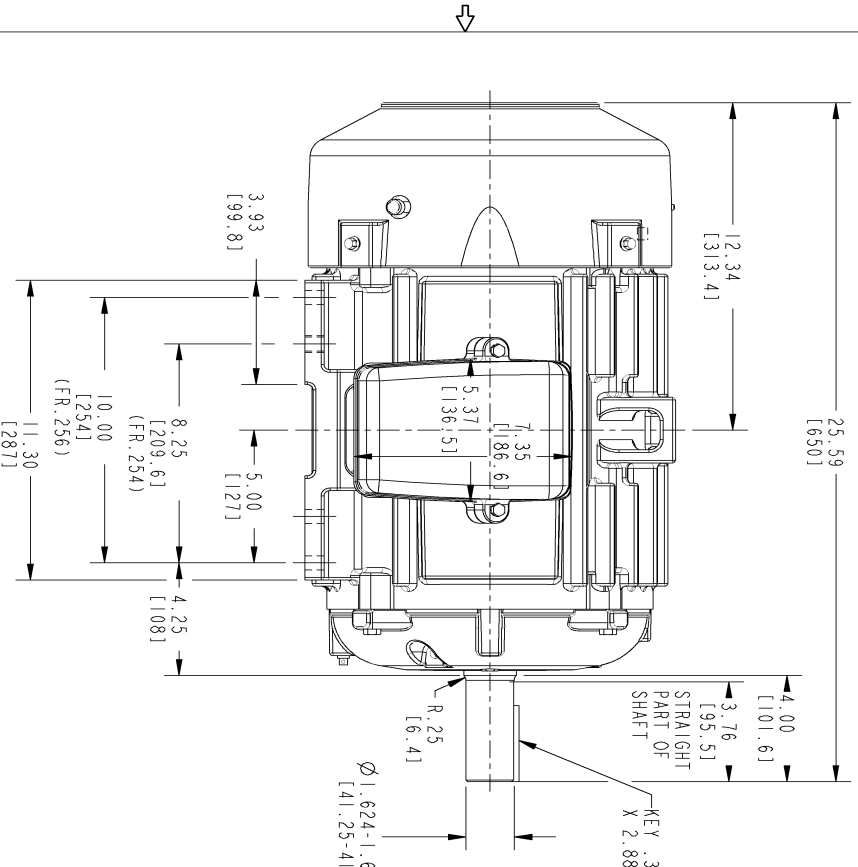
Open Circuit A-C:	0.166	Short Circuit D-C:	0.012
Short Circuit A-C:	0.017	X/R Ratio:	4.468
Stator Slots:	54	Rotor Slots:	70

Speed Torque Current Curve (First Connection, First Speed)



Marks:

NOTE 1: CONDUIT BOX MAY BE ASSEMBLED WITH ENTRANCE UP, DOWN OR TO EITHER SIDE.
 NOTE 2: F1 ASSEMBLY AS SHOWN. F2 ASSEMBLY CONDUIT BOX ON OPPOSITE SIDE FROM SHOWN LOCATION.
 NOTE 3: SHAFT RUNOUT WILL NOT EXCEED .002 T.I.R.



SIZE: B DRAWING NO: 4002B5825PAP5201 SH: 4 REV: 4

REV.	DESCRIPTION	DATE	APPROVED
1	NOTE X50 ULTRA DELETED	05/20/03	SAJAJAY
2	ISAAC 09-0868	09/29/09	SAVANTHI
3	ISAAC 09-1036	12/02/09	RAJHU
4	ISSAC 12-0025	01/09/11	RAJHU

SIGNATURES	DATE
DRAWN: GARY WARRNER	JAN 16/02
CHECKED: GARY WARRNER	JAN 16/02
ENGR: GARY WARRNER	SEP 03/02

APPLIED PRACTICES: B

SCALE: 0.250 REF. NO: 4002B5825PAP201 SHEET 1 OF 1

GE Industrial Systems
INDUCTION MOTOR OUTLINE
 STANDARD CONSTRUCTION
 FMR: FR250T TEFC

GENERAL ELECTRIC COMPANY
 Fort Wayne, Indiana

4002B5825PAP5201 4

DISTRIBUTION: PMP-18K15

Marks:

Connection Diagram
GEM2034E-FIG7



End shield Assembly		
Part Description	DE Side Part#	ODE Side Part#
End Shield	4004D5283PB1	4004D5283SE1
Bearing	235A2607AA01	235A2607AA01
Slinger/Inproseal	149C4399G02	149C4399G02

Fan & Fan Cover Assembly	
Part Description	Part#
Fan	159C6800G01
Fan Cover	4003C5788PA1

Conduit & Accessories Box Assembly	
Part Description	Part#
Conduit Box	4002B5728PA-G04

Mechanical Accessories	
Part Description	Part#
Brake	
Tachometer	