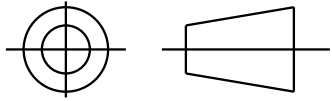


SHEET 1
REV 7
52A103642
SIZE DRAWING NO. A

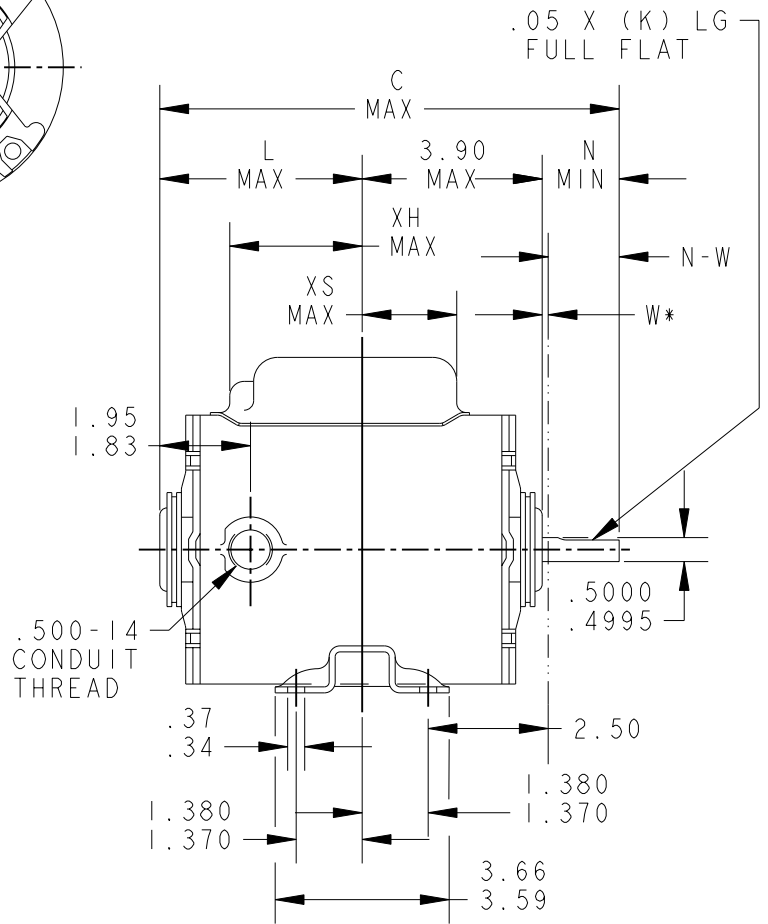
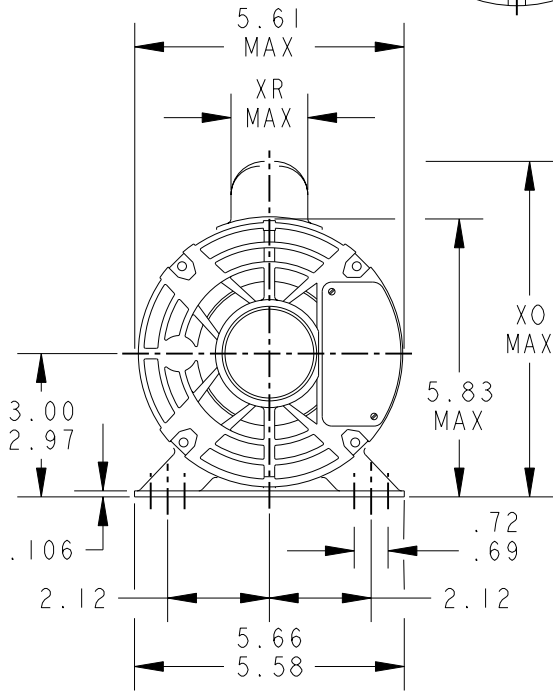
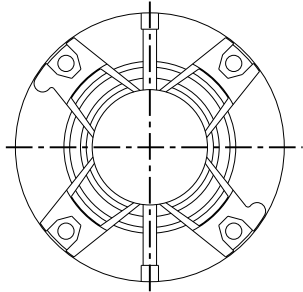
THIRD ANGLE PROJECTION



REVISIONS

REV.	DESCRIPTION	DATE	APPROVED
6	REDRAWN NO CHANGE T196-22390	07/29/96	MDP
7	CHG TO RBC FORMAT PER ISO5-1777	02/03/06	SUDHA


VIEW SHOWING PE VENTILATION OPENINGS



*W IS A CLEARANCE DUE TO VARIATION IN PARTS & ASSEMBLY.

5	KHC	37	48	10.40	1.16	5.05	1.50	1.63/1.41	3.36	7.74	2.10	2.32
4	KHC	35	48	9.57	1.16	4.22	1.50	1.63/1.41	2.91	7.74	2.10	2.74
3	KC	36	48	10.00	1.16	4.65	1.50	1.63/1.41	2.81	7.93	2.22	1.66
2	KC	33	48	9.19	1.16	3.75	1.50	1.63/1.41	2.21	7.31	1.60	2.35
1	KC	35	48	9.57	1.16	4.22	1.50	1.63/1.41	2.59	7.31	1.60	1.93

PT	TYPE	GE SIZE	NEMA FR	C	K	L	N	N-W	XH	XO	XR	XS
----	------	---------	---------	---	---	---	---	-----	----	----	----	----

FOR ADDITIONAL INFO REFER TO: APPLIED PRACTICES DIMENSIONS ARE IN INCHES ✓ MATERIAL	SIGNATURES	DATE	 <p>REGAL-BELOIT CORPORATION</p> <p>TITLE OUTLINE</p> <p>FORM N-GENERAL PURPOSE MOTOR-DRIP PROOF- WELDED BASE-BALL OR SLEEVE BEARING FMF 5KC35JN190</p> <p>SIZE DRAWING 52A103642</p> <p>SCALE: 0.250 REF. No: . SHEET 1 of 1</p>
	MODEL	MRB 09/23/80	
	DETAIL	.	
	CHECKED	.	
	ENGRG	.	
MFG	.		
QUALITY	.		
ISSUED	MDP 07/29/96		
SOLID MODEL: 52A103642			

