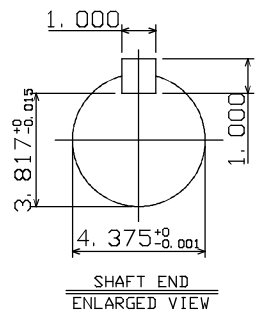
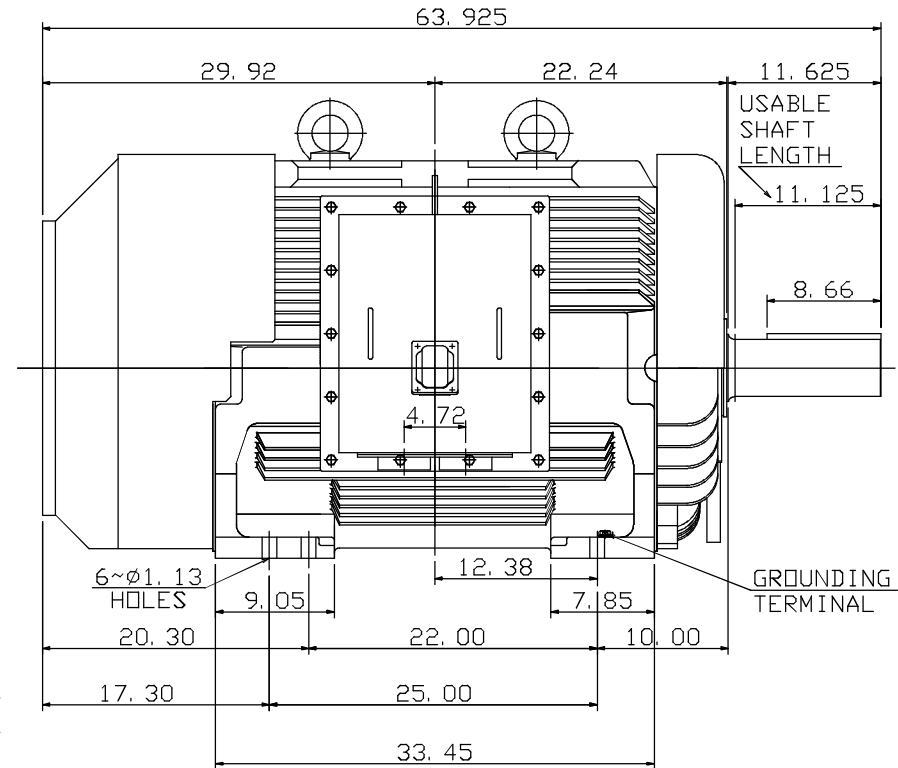
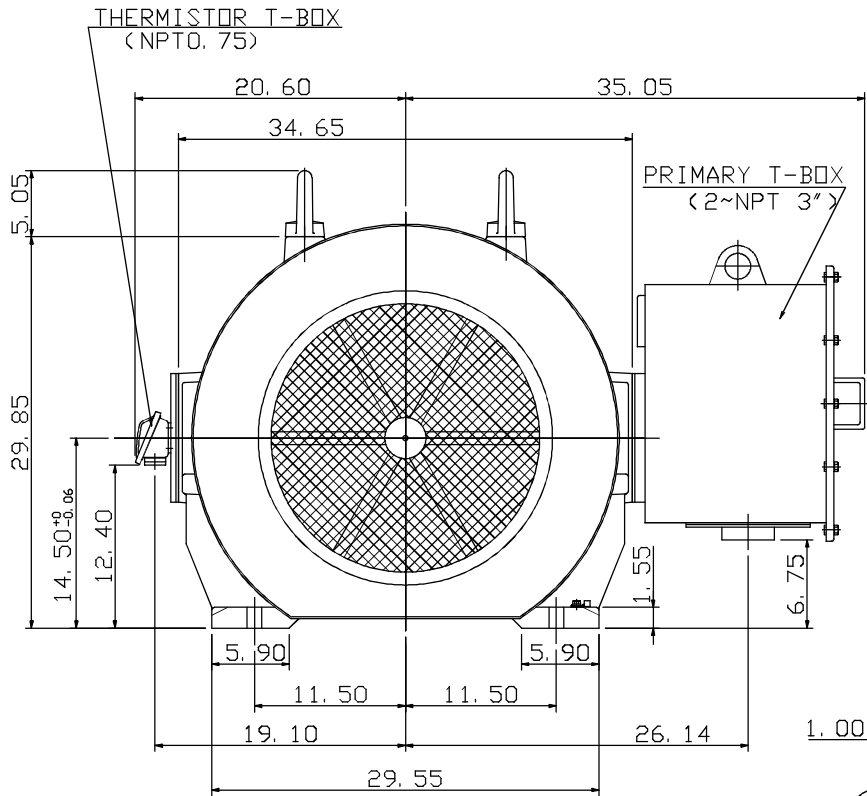


| TYPE | OUTPUT | | POLE | TIME RATING | VOLTAGE V | Hz | SYN. SPEED R. P. M |
|--------|--------|-----|------|-------------|-----------|----|--------------------|
| | HP. | KW. | | | | | |
| AEEAGD | 350 | 261 | 4 | CONT. | 460 | 60 | 1800 |

TOTALLY ENCLOSED FAN-COOLED TYPE. SQUIRREL-CAGE ROTOR



NOTE:

1. DIMENSIONS IN INCHES
2. FRAME NO. 586/7UZ
3. F CLASS INSULATION, S. F. 1.0 (50Hz)
F CLASS INSULATION, S. F. 1.15 (60Hz)
4. FOR BELT SERVICE
5. BEARING SIZE: DRIVE END: NU326C3
NON-DRIVE END: 6322C3
6. ENCLOSURE: IP55
7. WITH THERMISTOR: PTC 140°C 3PCS
8. SHAFT MATERIAL: SCM440 Q&T (AISI 4140 EQUIV)
9. MOTOR APPROX. WEIGHT: 4150 LBS

4A040Y700

| | | |
|-------|----------|-------------|
| DWN. | C. RAM | DEC 02 2015 |
| DWN. | J. CHANG | APR 21 2015 |
| CHKD. | H. HUANG | APR 21 2015 |
| APPD. | C. LIU | APR 21 2015 |

CATALOG NO.
CD3504RZ

TEC Westinghouse

OUTLINE DIMENSIONS
3-PHASE INDUCTION MOTOR

DWG NO. REV: 00
4B040L196