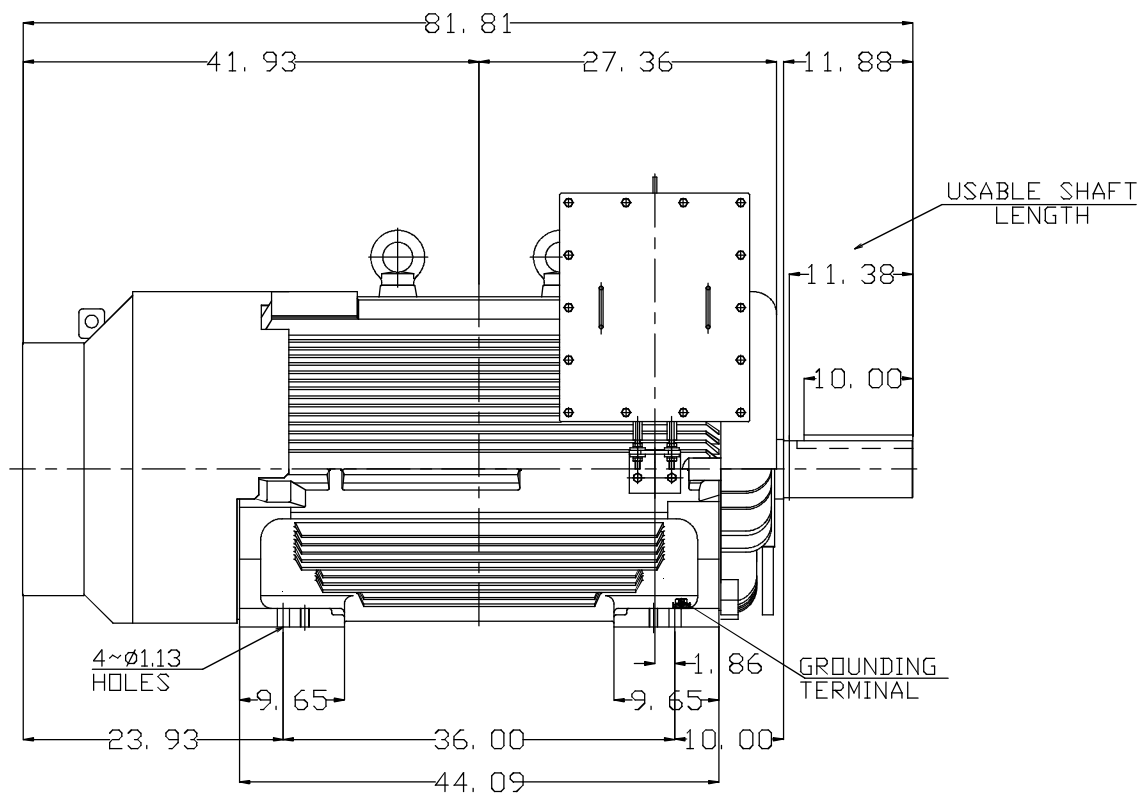
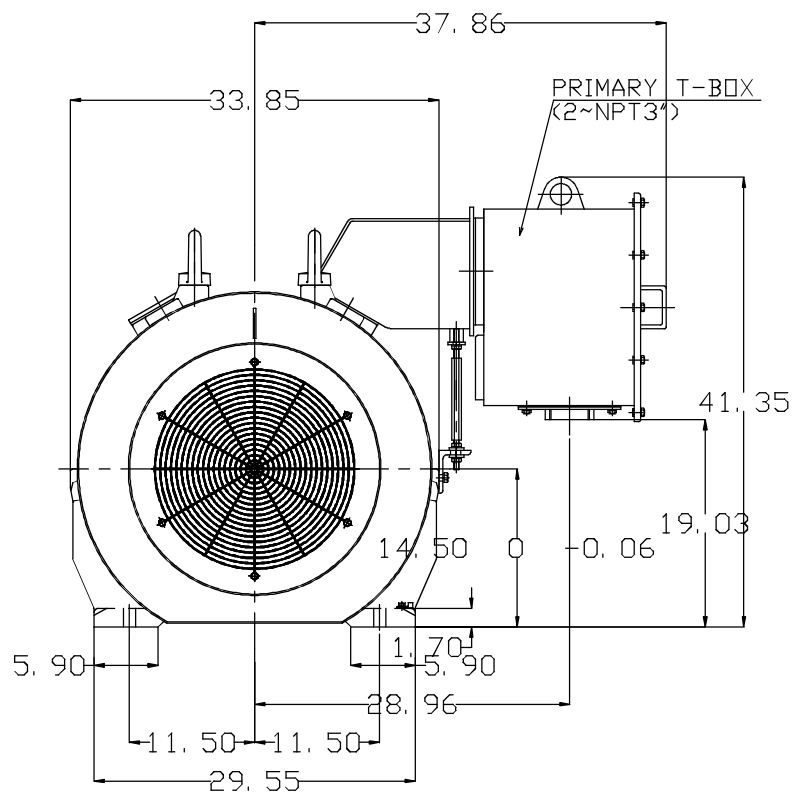


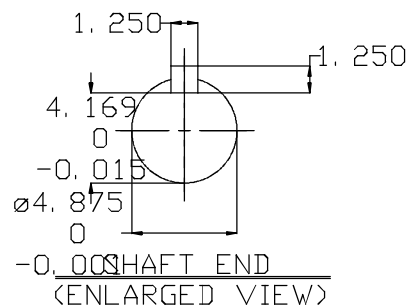
TYPE	OUTPUT		POLE	TIME RATING	VOLTAGE V	Hz	SYN.SPEED R.P.M
	HP.	KW.					
AEHE	800	597	4	CONT.	460	60	1800

TOTALLY ENCLOSED FAN-COOLED TYPE, SQUIRREL-CAGE ROTOR



NOTE:

1. DIMENSIONS IN inch
2. FRAME NO. 5810C
3. F CLASS INSULATION, S.F.115
4. FOR BELT DRIVE APPLICATIONS
5. ENCLOSURE: IP55
6. BEARING SIZE: DRIVE-END NU326C3
OPP. DRIVE-END 6322
7. MOTOR APPROX. WEIGHT: 7250 lb



DATE

CATALOG # E8004R

OUTLINE DIMENSIONS

3-PHASE INDUCTION MOTOR

DWN. Y.DU MAR-24-2014

CHKD. W.CHENG MAR-29-2014

APPD. C.SHIH MAR-29-2014

TEC Westinghouse

DWG NO. REV:00

4B040C044