

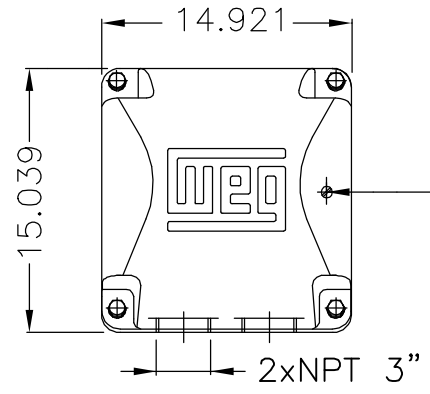
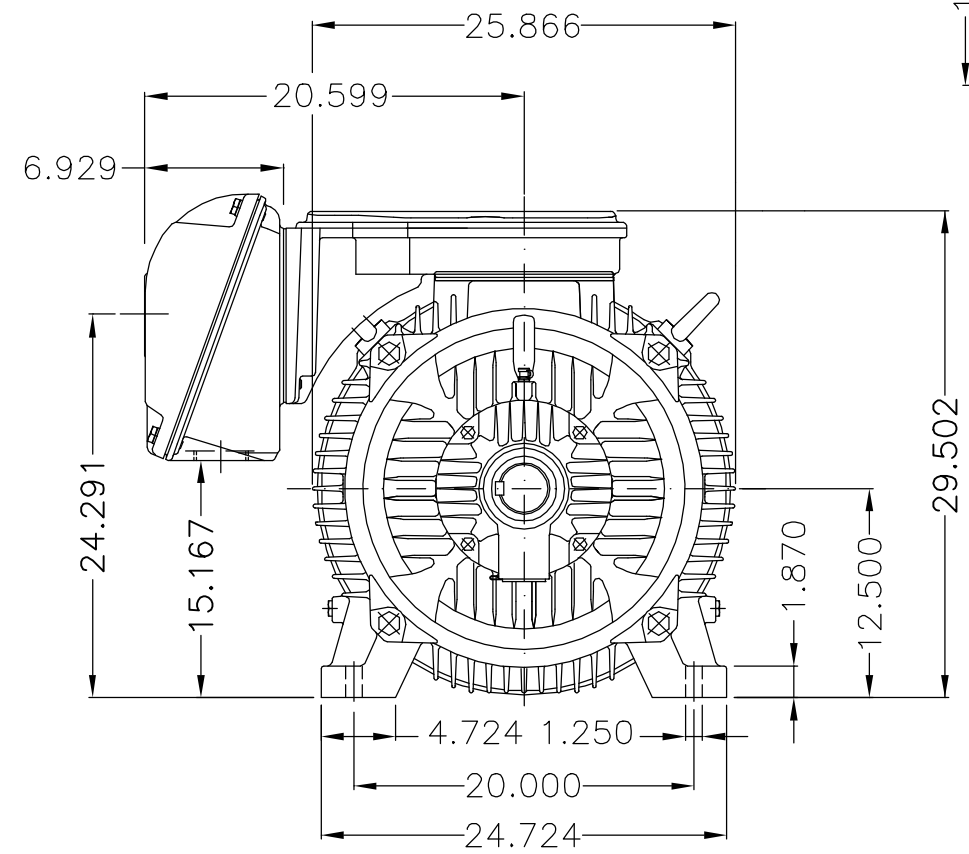
EIXO/SHAFT	
PADRÃO/STANDARD	
OPCIONAL/OPTIONAL	
ESPECIAL/SPECIAL	X

Dimensões em polegada  
Dimensions in inches

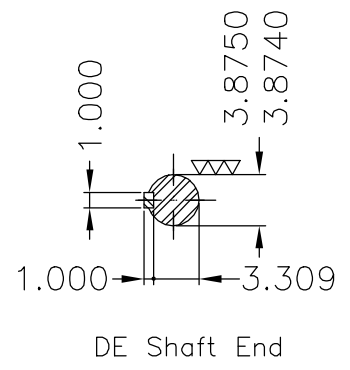
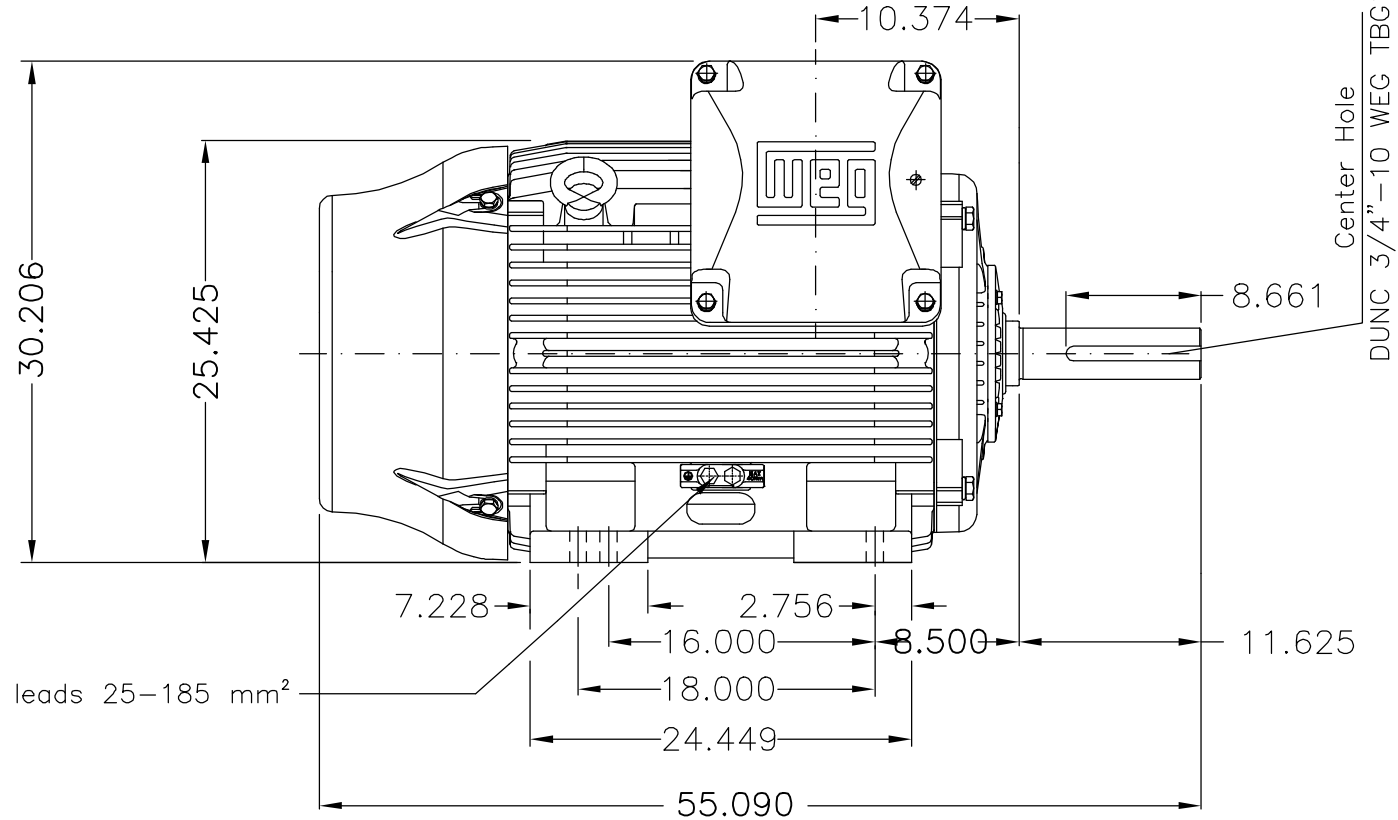
**CERTIFIED WEG MOTORES**  
Certified document.  
Not subject to changes.

THIS IS AN UPDATED REVISION, THE PREVIOUS ONE MUST BE DISREGARDED.

A  
B  
C  
D  
E



Main terminal box



DE Shaft End

Center Hole  
DUNC 3/4"-10 WEG TBG12

- Rolamento dianteiro de rolos NU-322 C3 / NU-322 C3 DE roller bearing
- Tampa dianteira especial / Special DE endshield
- Vedação - labirinto Taconite / Sealing - Taconite labyrinth
- Categoria A / Design A
- Proteção térmica desligamento - Termostato 155°C / Thermostats 155°C to trip
- Dispositivo de travamento de eixo / Shaft locking device
- Rolamento dianteiro de rolos / DE roller bearing
- Tampa traseira com mancal eletricamente isolado / N.D.E bearing hub electrically insulated
- Cor RAL 5009 / Color RAL 5009
- Plano de pintura 203A / Painting plan 203A
- Forma construtiva NEMA F-1 / Mounting NEMA F-1
- Forma construtiva B3D / Mounting B3R(D)

**WEG ELECTRIC CORPORATION - WEC**

500001293996		ATUALIZADO COTA H-H	AFILHO	MENSOR	10.04.2017	01
500001130675		DOCUMENTO NOVO	DVEGINI	NSCHMIDT	22.01.2016	00
ECM	LOC	SUMMARY OF MODIFICATIONS	EXECUTED	CHECKED	RELEASED	DATE VER
EXECUTED	DVEGINI	THREE PHASE W22 MOTOR - NEMA PREMIUM EFF FRAME 504/5TZ IP55	10004037916			
CHECKED			000	01		
RELEASED	NSCHMIDT		SHEET 1 / 1			
REL DT	22.01.2016		WMO Jaraguá do Sul	Product Engineering		

250 HP 04 Poles 60Hz 414149651/0 MEC

UNCONTROLLED COPY  
RELEASED  
ZME A3