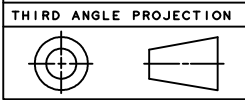
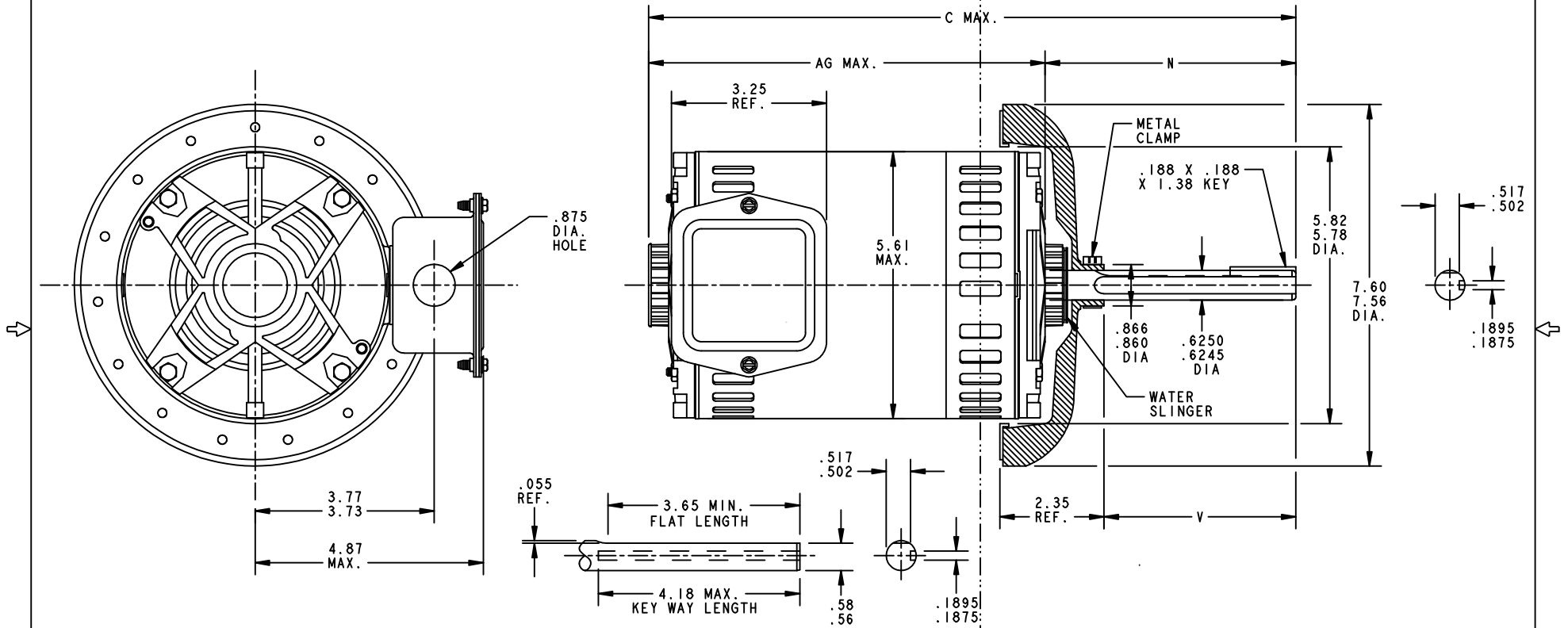


SIZE B DRAWING NO. 52B211521 REV 1 SHEET 1

REVISIONS			
REV.	DESCRIPTION	DATE	APPROVED
1	ADDED TYPE K AS PER DS#07-0507	05/17/07	BALA



I	KCP/K	39	48Z	15.50	5.29 5.23	10.20	3.96 3.91	8.50
P	TYPE	FR SIZE	NEMA FR	C	N	AG	V	SHELL LGTH.

FOR ADDITIONAL INFO REFER TO:  
 APPLIED PRACTICES  
 DIMENSIONS ARE IN INCHES  
 MATERIAL

SIGNATURES	DATE
MODEL GOVARDAN	05/11/06
DETAIL	.
CHECKED	.
ENGRG	.
MFG	.
QUALITY	.
ISSUED GOVARDAN	05/11/06
SOLID MODEL: 52B211521	

**REGAL-BELOIT CORPORATION**

TITLE: **OUTLINE**  
**FORM N - SPECIAL PURPOSE MOTOR**  
**OPEN - BALL BEARING**

SIZE: DRAWING B  
 52B211521 REV 1

SCALE: 1.000 REF. No: . SHEET 1 of 1