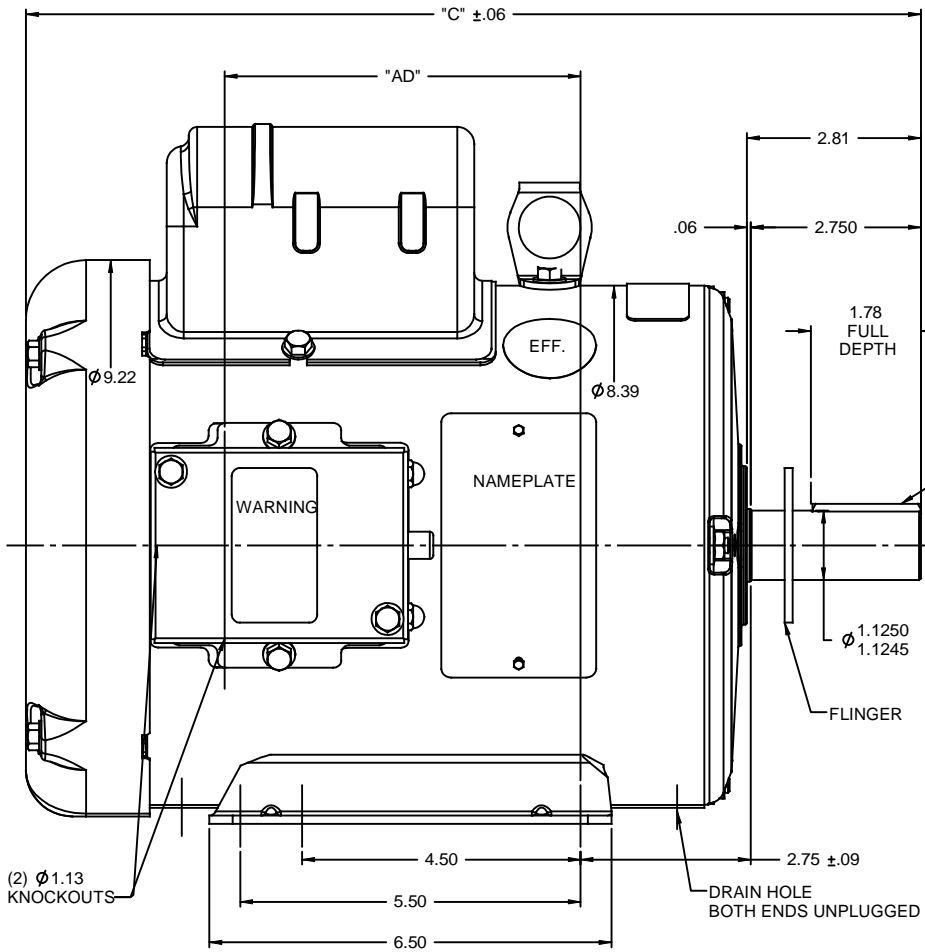
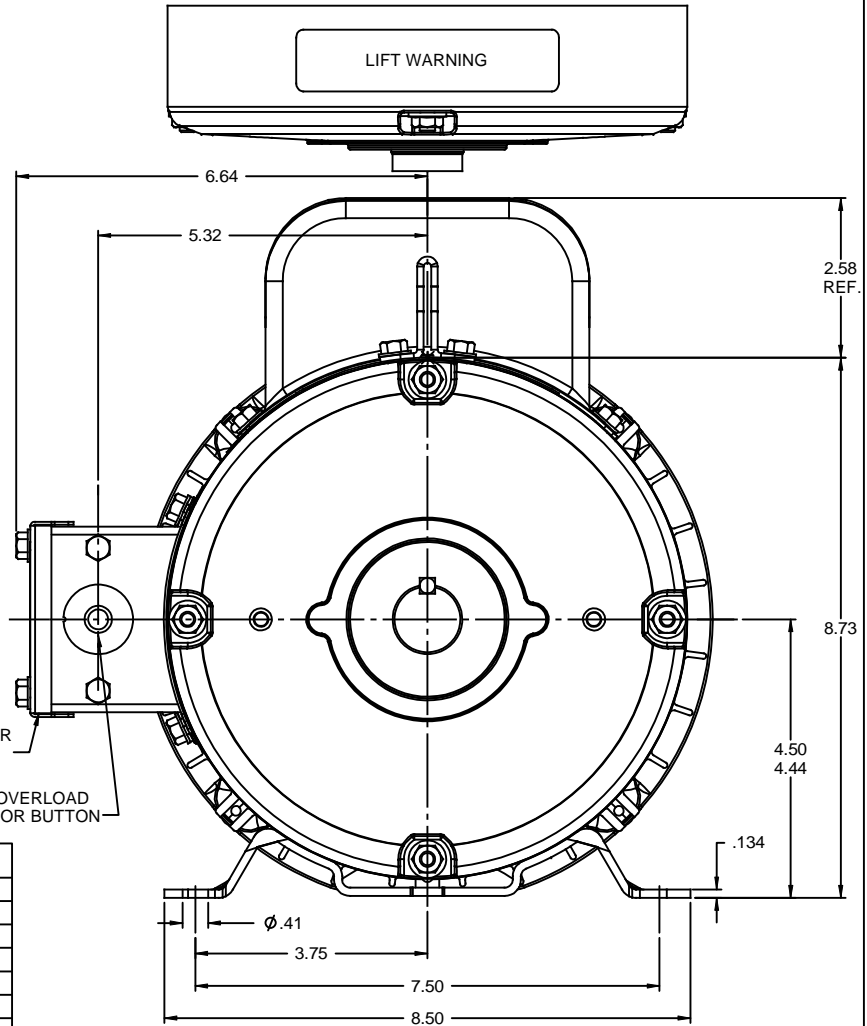


RBC PROPRIETARY AND CONFIDENTIAL INFORMATION
 This document is the property of REGAL BELOIT CORPORATION ("RBC") including its subsidiaries and divisions and contains proprietary information of RBC. This document is loaned on the express condition that neither it nor the information contained therein shall be disclosed to others without the express written consent of RBC, and that the information shall be used by the recipient only as approved expressly by RBC. This document shall be returned to RBC upon its request. This document may be subject to certain restrictions under U.S. export control laws and regulations.



DASH NO.	"C"	"AD"
850	13.96	5.25
900	14.46	5.75
950	14.96	6.25
1000	15.46	6.75
1050	15.96	7.25
1100	16.46	7.75
1150	16.96	8.25
1200	17.46	8.75



MOTOR SPECIAL FEATURES:

- GASKETS THROUGHOUT
- DRAIN HOLE IN FRAME BOTH ENDS UNPLUGGED
- BRASS NAMEPLATE
- MANUAL RESET OVERLOAD PROTECTOR
- DOUBLE SEALED BALL BEARINGS
- FLINGER

		TOLERANCES UNLESS SPECIFIED:		REGAL-BELOIT CORPORATION		DRAWN LST 1/6/10	
		DEC INCHES				CHK	
		X ±.1		APPR			
		XX ±.03		TITLE OUTLINE - 184T FRAME		SCALE 1:2	
		XXX ±.005		TEFC - RIGID		REF	
		XXXX ±.0005		MATL FARM DUTY		FMF	
NO		REVISION		BY & DATE		PAGE OF	
		THIRD ANGLE PROJECTION		CHK ANG ±1/2°		FINISH	
				RFP		PREV	
				NETWORK FILE NAME		SIZE DRAWING NO	
						B 035748	
						REV	