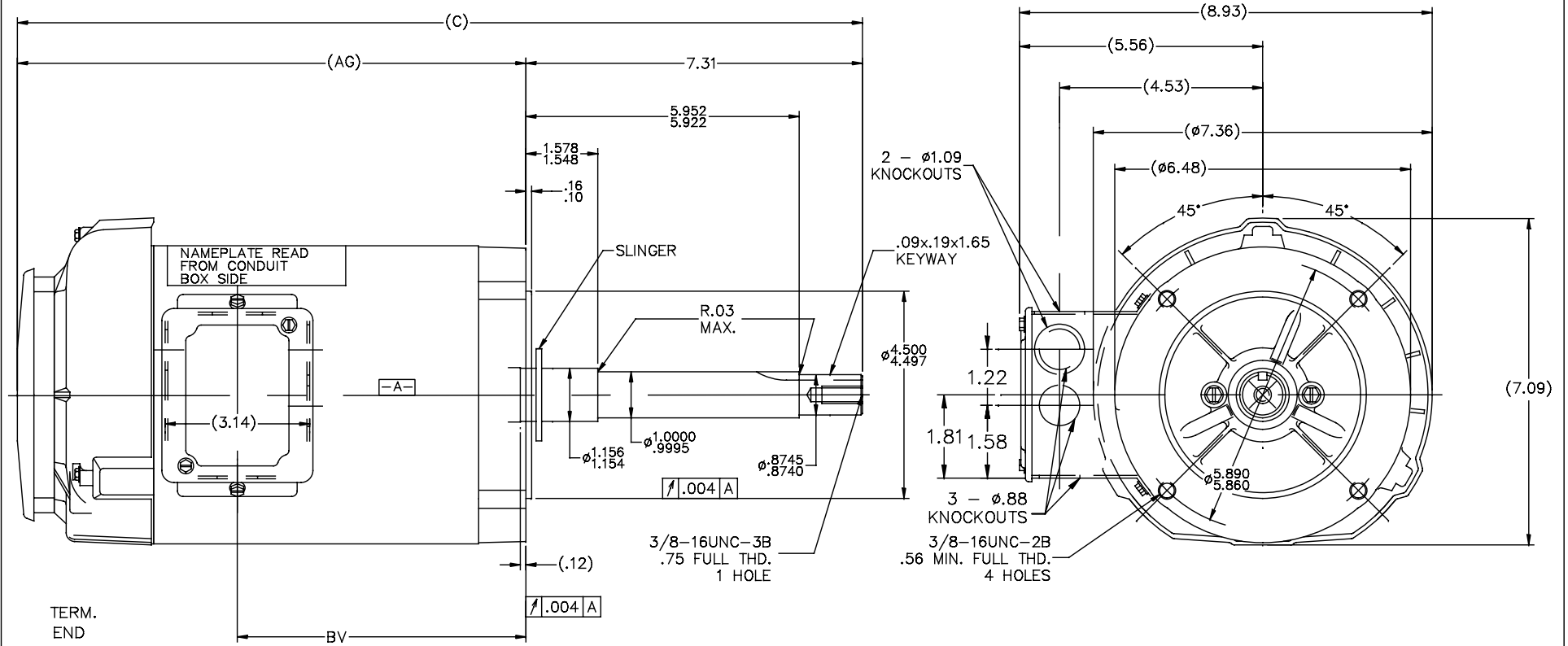


100659



NOTE:
CONDUIT BOX CAN BE ROTATED 180°

DASH	C	AG	BV	DASH	C	AG	BV
				806	19.35	12.04	7.31
656	17.85	10.54	5.81	856	19.85	12.54	7.81
706	18.35	11.04	6.31	906	20.35	13.04	8.31
756	18.85	11.54	6.81	956	20.85	13.54	8.81

				TOLERANCES UNLESS SPECIFIED		DRAWN RM 10-23-92	
				DEC.	INCHES	CHK ML 10-26-92	
				.X	±.1	APPD MS 10-27-92	
				.XX	±.02	SCALE 5=9	
				.XXX	±.005	REF	
				.XXXX	±.0005	PREV	
1	NEW DRAWING	3964176	RM 10-28-92	CHK	ANG ±7°30"	FINISH	
NO. REVISION BY & DATE				RFP	CAD FILE 100659	SIZE	DRAWING NO.
THIS DRAWING IN DESIGN AND DETAIL IS OUR PROPERTY AND MUST NOT BE USED EXCEPT IN CONNECTION WITH OUR WORK. ALL RIGHTS OF DESIGN AND INVENTION ARE RESERVED. THIS IS AN ELECTRONICALLY GENERATED DOCUMENT - DO NOT SCALE THIS PRINT.				DIST	WP	B	100659
							1



TITLE OUTLINE - TEFC
140 FR. - 1Ø -BB -C'FACE -TEFC