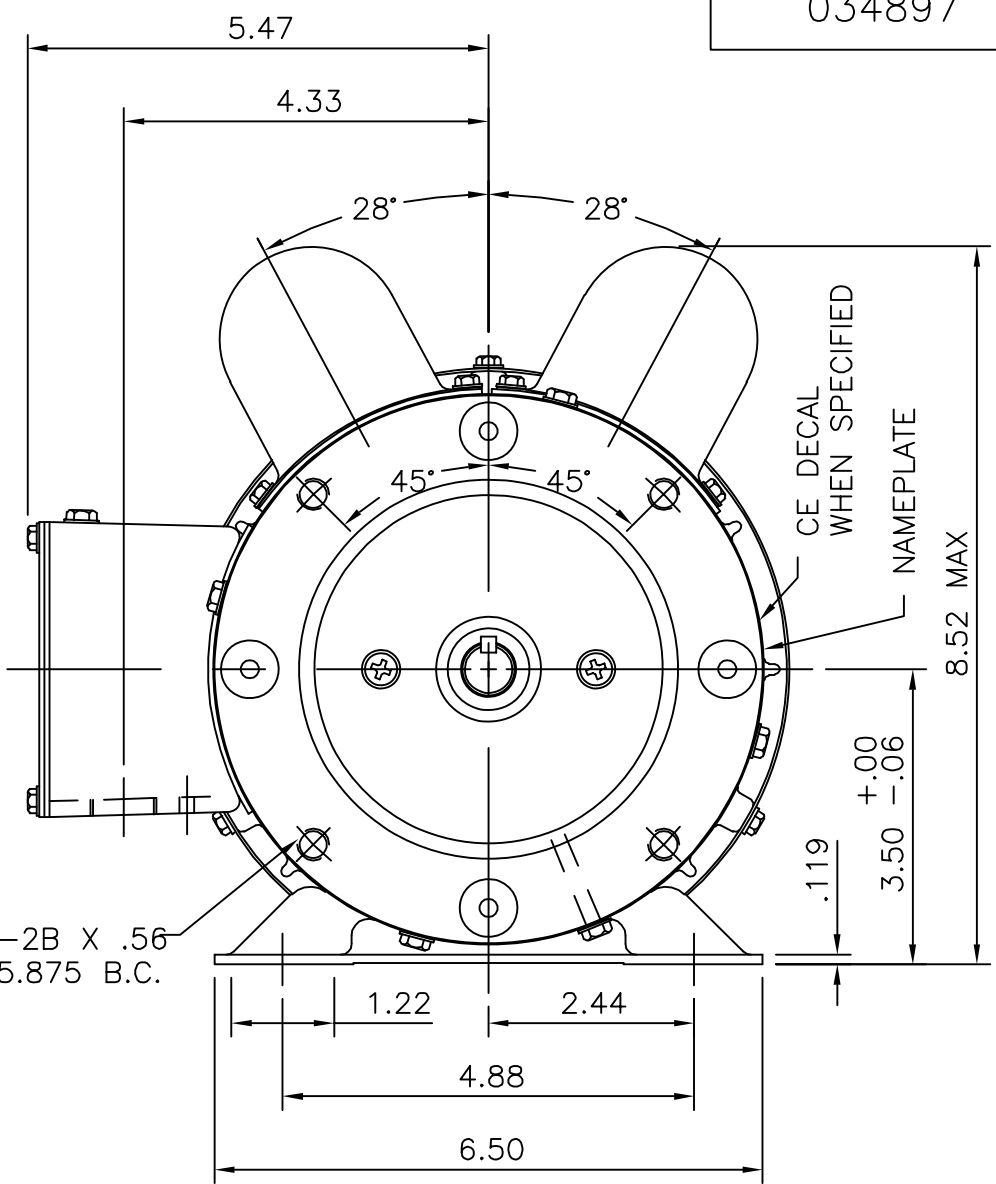
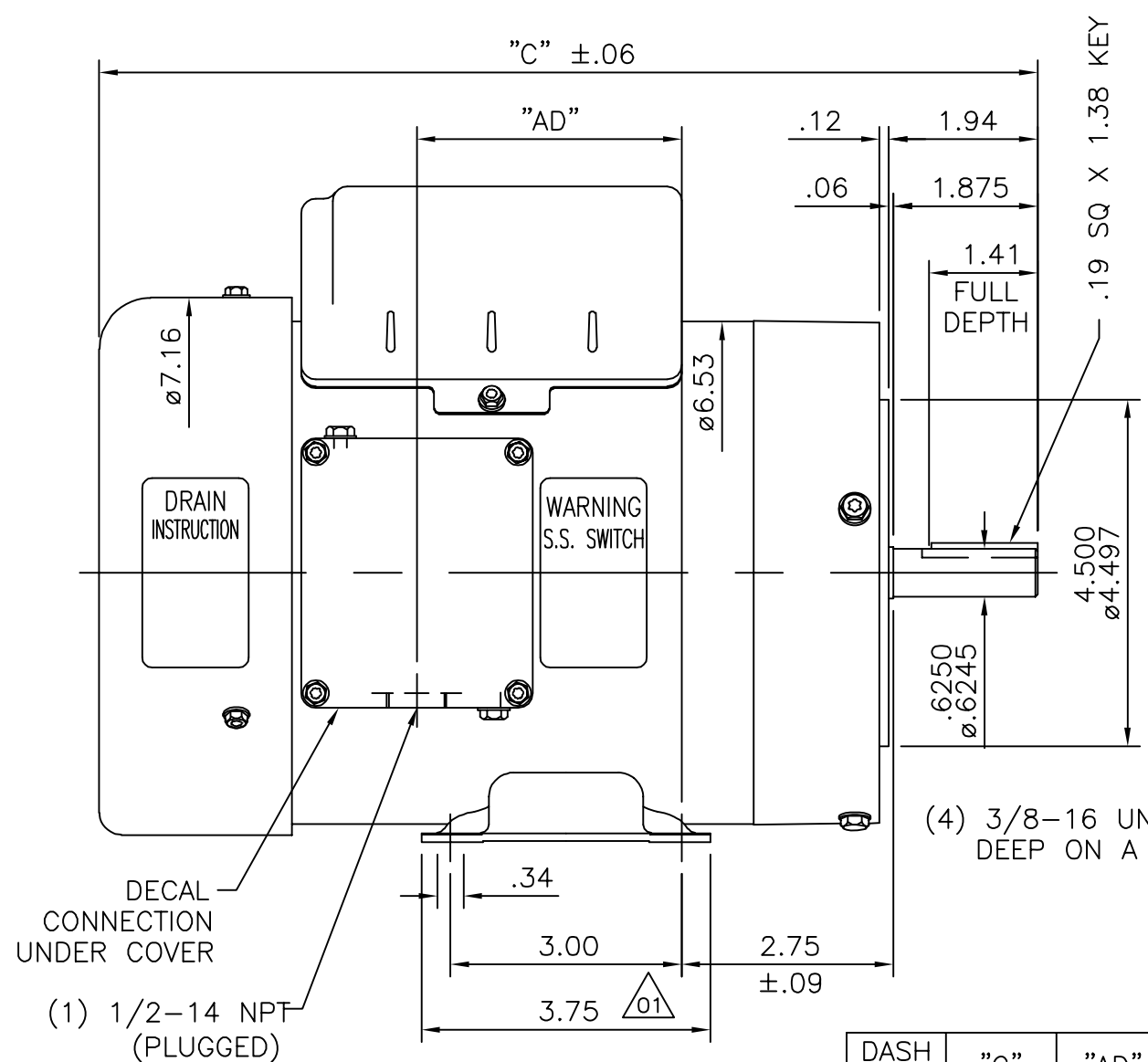


034897



(4) 3/8-16 UNC-2B X .56 DEEP ON A ø5.875 B.C.

MAXIMUM FACE RUNOUT .004 T.I.R.
 MAXIMUM PILOT ECCENTRICITY .004 T.I.R.
 PERMISSIBLE SHAFT RUNOUT .002 T.I.R.

DASH NO.	"C"	"AD"
500	11.19	2.44
550	11.69	2.94
600	12.19	3.44
650	12.69	3.94

SPECIAL FEATURES:

- 1) SHAFT SEALS & V-RING
- 2) DRAIN HOLES IN ENDBELLS & CONDUIT BOX
- 3) STAINLESS STEEL SHAFT, HARDWARE & NAMEPLATE
- 4) GASKETS THROUGHOUT

		TOLERANCES UNLESS SPECIFIED		DRAWN RDW 08/16/01	
		DEC.	INCHES	CHK	
		.X	±.1	APPD DWF 08/16/01	
03	ADDED CE NOTE PER ECR-0060119	ARV 6/9/14	SK .XX ±.03	TITLE OUTLINE - 56C FRAME	
02	ADDED DRAIN SCREWS PER ECR-0034519	ARV 03/23/13	SK .XXX ±.005	TEFC - RIGID "C"	
01	REVISED BASE LENGTH TO MATCH BASE DWG, WAS 4.00	BPW 01/15/02	.XXXX ±.0005	SCALE 3=8	
NO.	REVISION	BY & DATE	CHK ANG ±1/2'	REF 033872	
			RFP 08/16/01	FMF	
			DIST	PREV	
THIS DRAWING IN DESIGN AND DETAIL IS OUR PROPERTY AND MUST NOT BE USED EXCEPT IN CONNECTION WITH OUR WORK ALL RIGHTS OF DESIGN AND INVENTION ARE RESERVED THIS IS AN ELECTRONICALLY GENERATED DOCUMENT - DO NOT SCALE THIS PRINT				CAD FILE 034897	SIZE A
				DRAWING NO. 034897	REV. 03

