

DATE
November 4, 2004

OUTLINE DIMENSIONS
3-PHASE INDUCTION MOTOR

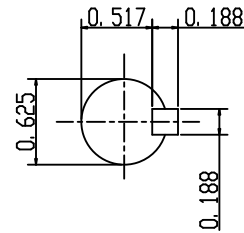
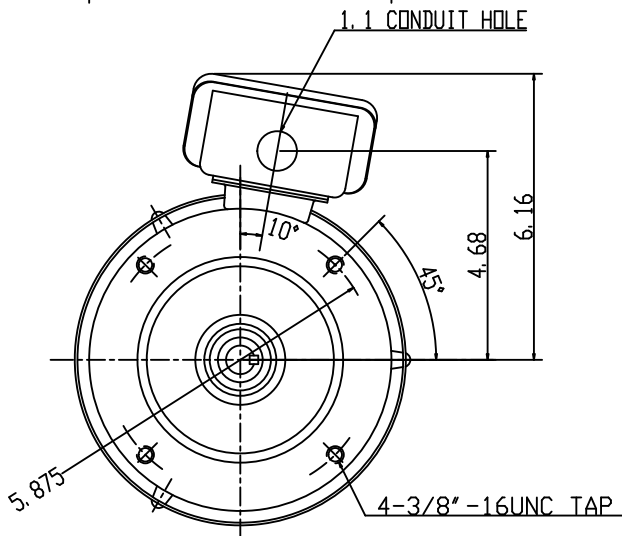
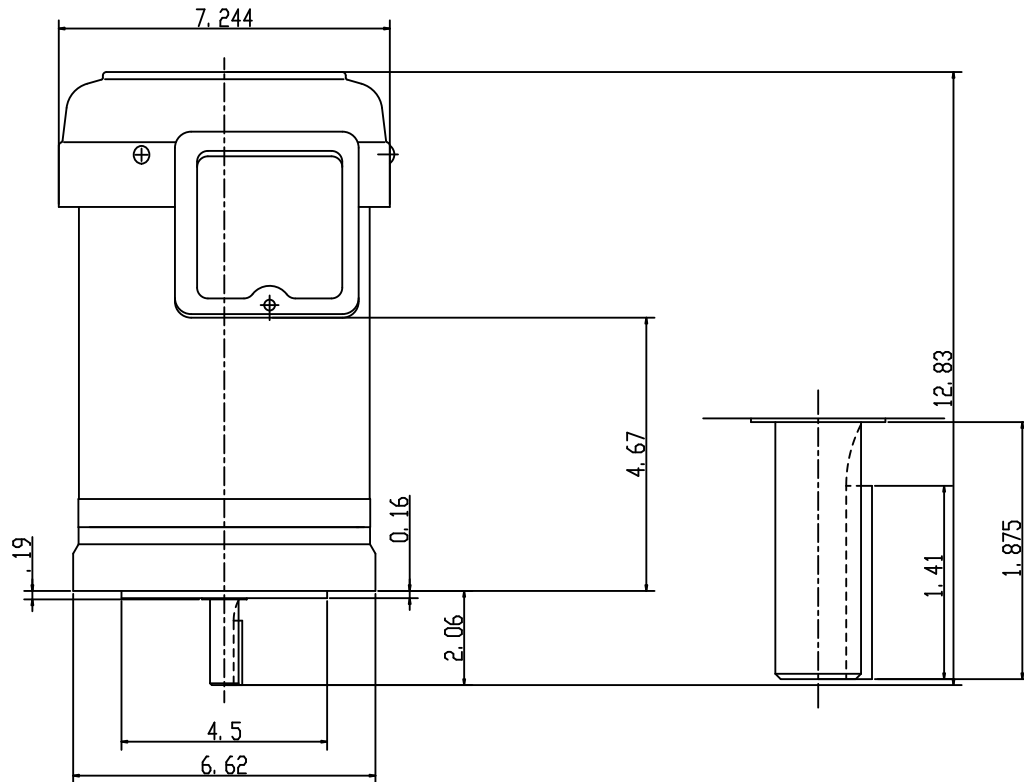
MODEL TYPE:
AETHCF

CATALOG NO.
GHV1/52C

FRAME NO. C56C

Pole	HP	KW	Hz	VOLT	Syn. Speed R. P. M
2	1.5	1	60	230/460	3600

Ins.	Rating	Dimensions in	Approx Weight	Bearings
F	CONT.	inch	33 lbs.	DF: 6205ZZ NDE: 6204ZZ



APPD.	W. H. TSAI	03 31 03
CHKD.	J. B. CHEN	03 31 03
DWN.	P. J. CHEN	03 31 03

TEC   Westinghouse

DWG NO.
31049Z105
0759