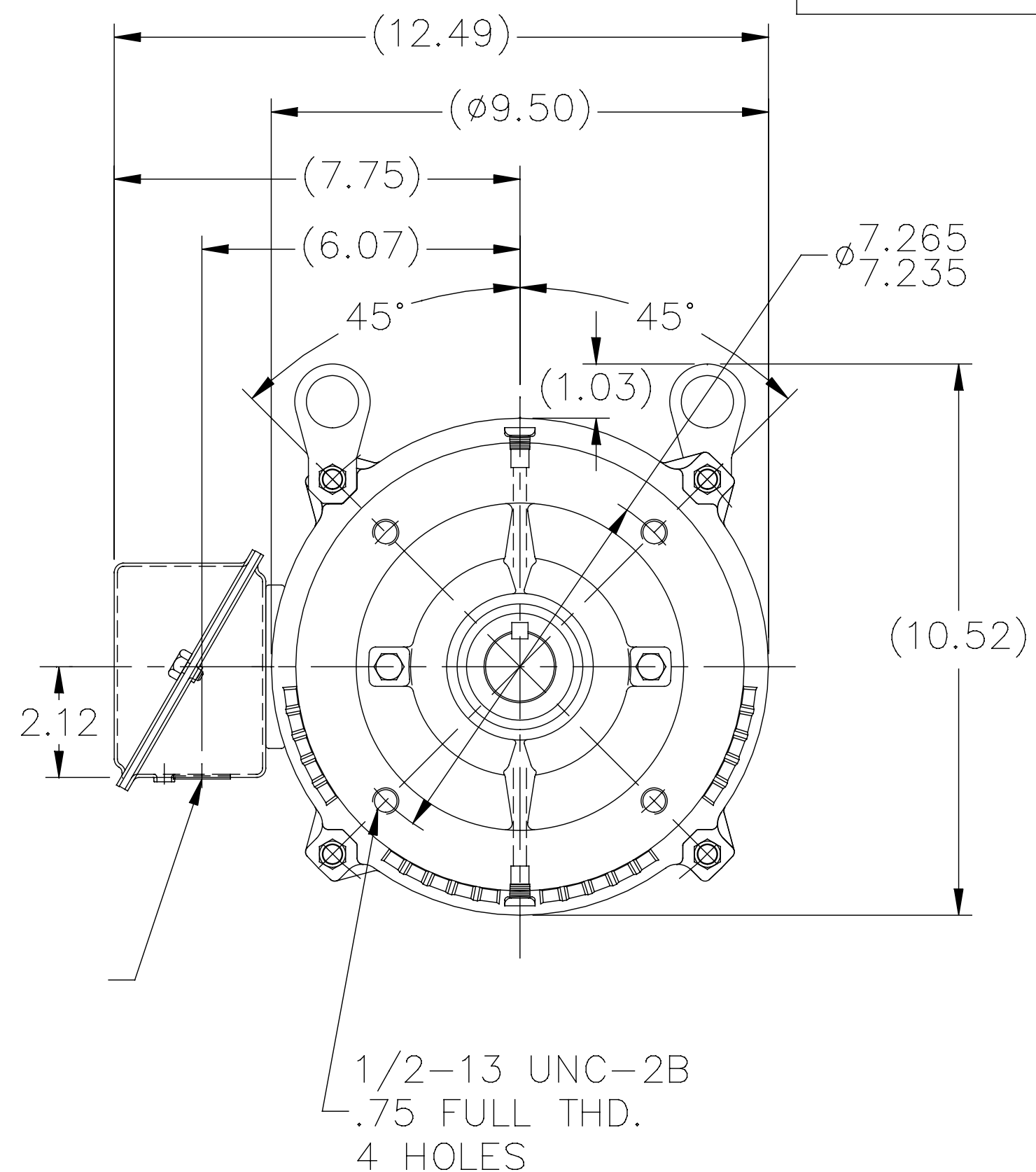
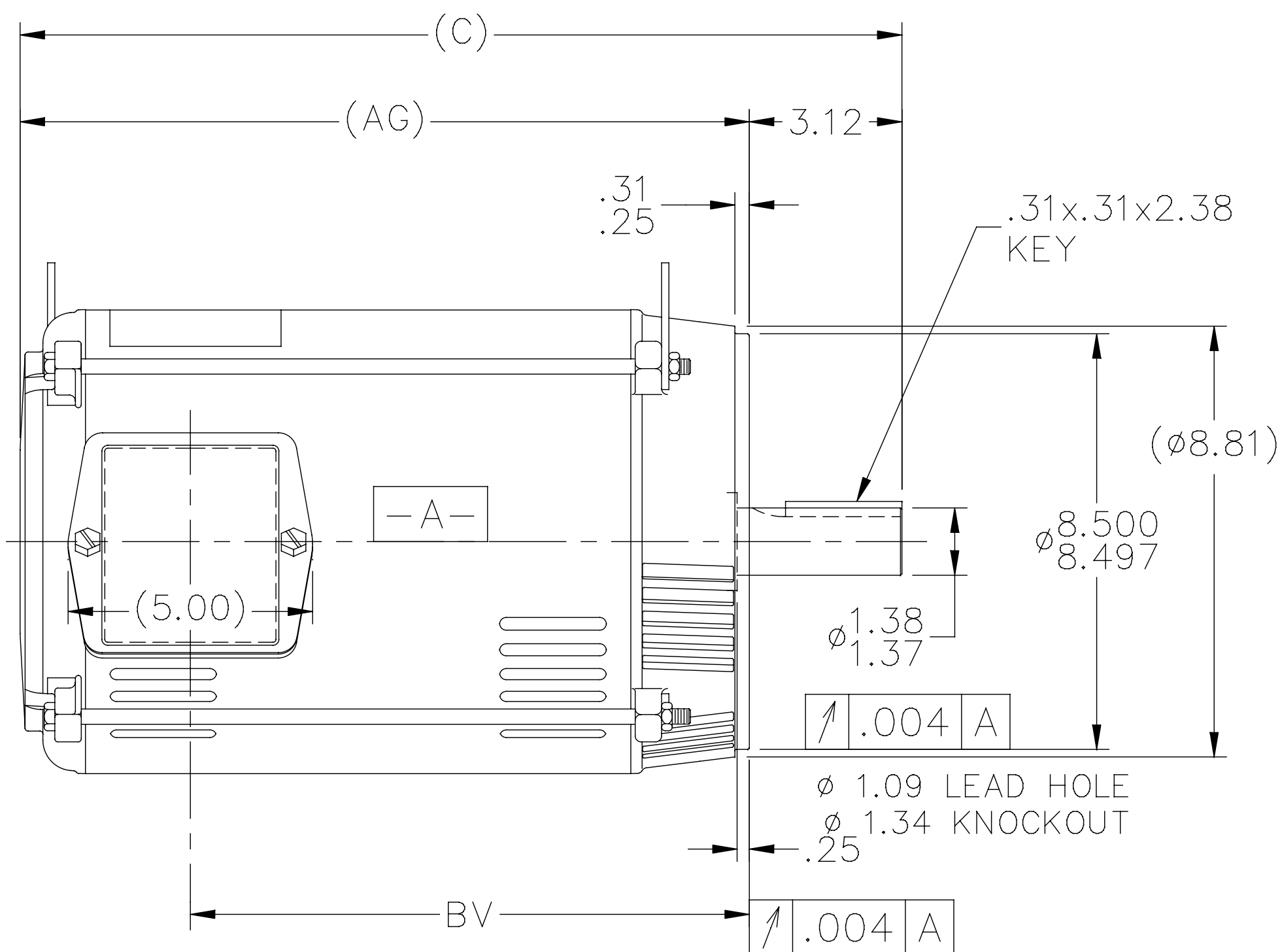


SS86595



DASH	FR.	C	AG	BV	MOUNTING
965	213T	16.53	13.41	9.93	
1115	213/15T	18.03	14.91	11.43	
1240	213/15T	19.28	16.16	12.68	

- NOTES:
 1. NAMEPLATE TO BE READ FROM C'BOX SIDE OF MOTOR.
 2. BOX CAN BE MOUNTED IN 90° STEPS.

NO.	REVISION	BY & DATE	CHK	ANG	TOLERANCES UNLESS SPECIFIED	FINISH	PREV
5	REDRAWN WITH REGAL LOGO	SR 17-07-2015					DRAWN DA 03-26-1996
4	REDRAWN IN AUTOCAD	TAT 06-29-2004	ML	DEC.	INCHES		CHK ML 04-01-1996
3	UPDATED C' BOX GEOMETRY	CN 28425 DRS 01-31-2000	SR	.X	±.1		APPD DN 04-01-1996
2	REMOVED NOTE: "C' BOX CAN BE MOUNTED ON OPPOSITE SIDE OF MOTOR"	CN 23925-495 MJD 09-02-1999		.XX	±.03	TITLE OUTLINE	SCALE 1=5
1	NEW DRAWING - DES/DEV	DA 04-02-1996		.XXX	±.005	210T FR. - BB - TS - DR.PR. - C' FACE	REF
				.XXXX	±.0005	MAT'L.	FMF
				±7'30"			

THIS DRAWING IN DESIGN AND DETAIL IS OUR PROPERTY AND MUST NOT BE USED EXCEPT IN CONNECTION WITH OUR WORK ALL RIGHTS OF DESIGN AND INVENTION ARE RESERVED THIS IS AN ELECTRONICALLY GENERATED DOCUMENT - DO NOT SCALE THIS PRINT		RFP	CAD FILE ss86595	SIZE A	DRAWING NO. SS86595	PAGE OF	REV. 5
		DIST LB					

